

PLEASE CHECK WWW.MOLEX.COM FOR LATEST PART INFORMATION

Part Number: [0758274203](#)
Status: **Active**
Overview: [gbx_backplane_connector_system](#)
Description: 1.85mm by 1.85mm (.073 by .073") Pitch 2-Pair GbX® Backplane Connector System, Right Guide Header, 100 Circuits, Gold (Au) 0.76µm (30µ"), Pin Length 3.55mm (.140")

Documents:

[Drawing \(PDF\)](#) [RoHS Certificate of Compliance \(PDF\)](#)
[Product Specification PS-75221-999 \(PDF\)](#)

Agency Certification

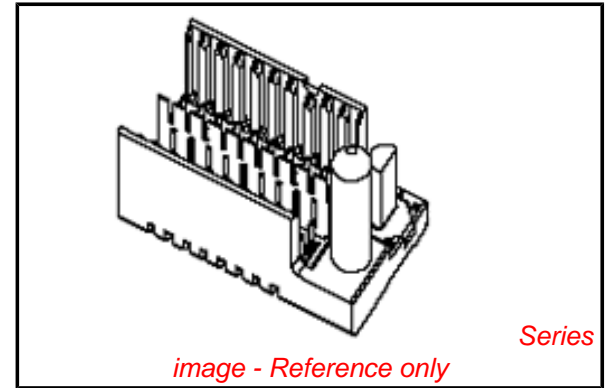
UL E29179

General

Product Family Backplane Connectors
 Series [75827](#)
 Application Backplane
 Application Tooling Documents [Tooling Manual](http://www.molex.com/pdm_docs/ats/TM-622022099.pdf)
 Comments Right Guide Header, No Keying Postion
 Component Type PCB Header
 Overview [gbx_backplane_connector_system](#)
 Product Name GbX®
 Style N/A

Physical

Circuits (Loaded) 100
 Circuits (maximum) 100
 Color - Resin Gray (Dark)
 Durability (mating cycles max) 200
 First Mate / Last Break No
 Flammability 94V-0
 Guide to Mating Part Yes
 Keying to Mating Part None
 Material - Metal High Performance Alloy (HPA), Stainless Steel
 Material - Plating Mating Gold
 Material - Plating Termination Tin-Lead
 Material - Resin High Temperature Thermoplastic
 Number of Columns 25
 Number of Pairs 2
 Number of Rows 4
 Orientation Vertical
 PC Tail Length (in) 0.091 In
 PC Tail Length (mm) 2.30 mm
 PCB Locator No
 PCB Retention Yes
 PCB Thickness Recommended (in) 0.063 In
 PCB Thickness Recommended (mm) 1.60 mm
 Packaging Type Tube
 Pitch - Mating Interface (in) 0.073 In
 Pitch - Mating Interface (mm) 1.85 mm
 Pitch - Term. Interface (in) 0.073 In
 Pitch - Term. Interface (mm) 1.85 mm
 Plating min: Mating (µin) 30
 Plating min: Mating (µm) 0.76
 Plating min: Termination (µin) 30



EU RoHS

RoHS Compliant by Exemption

REACH SVHC

Contains SVHC: No

Halogen-Free

Status

Not Reviewed

China RoHS



Need more information on product environmental compliance?

Email productcompliance@molex.com
 For a multiple part number RoHS Certificate of Compliance, [click here](#)

Please visit the [Contact Us](#) section for any non-product compliance questions.

Search Parts in this Series

[75827Series](#)

Mates With

[75650 GbX® Daughtercard](#)

Application Tooling | FAQ

Tooling specifications and manuals are found by selecting the products below. Crimp Height Specifications are then contained in the Application Tooling Specification document.

Global

| Description | Product # |
|--|----------------------------|
| GbX® 2 Pair by 25 Wide Differential Insertion Tool | 0622022430 |

| | |
|--------------------------------|------------------------------|
| Plating min: Termination (µm) | 0.76 |
| Polarized to PCB | No |
| Stackable | No |
| Surface Mount Compatible (SMC) | Yes |
| Temperature Range - Operating | 105°C |
| Termination Interface: Style | Through Hole - Compliant Pin |

Electrical

| | |
|-------------------------------|---------------------|
| Current - Maximum per Contact | 1A |
| Data Rate | 8.0 Gbps |
| Real Signals (per 25mm) | 54 |
| Shield Type | Ground Plane Shield |
| Shielded | Yes |
| Voltage - Maximum | 120V AC (RMS)/DC |

Material Info

Reference - Drawing Numbers

| | |
|-------------------------|---------------|
| Packaging Specification | PK-70873-5058 |
| Product Specification | PS-75221-999 |
| Sales Drawing | SD-75827-410 |

GbX is a registered trademark of Amphenol Corporation.

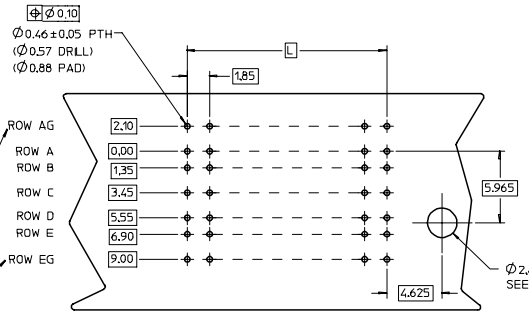
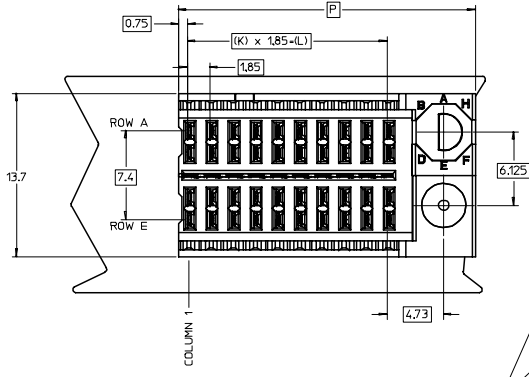
This document was generated on 05/14/2010

PLEASE CHECK WWW.MOLEX.COM FOR LATEST PART INFORMATION

20 19 18 17 16 15 14 13 12 11 75827 9 8 7 6 5 4 3 2 1

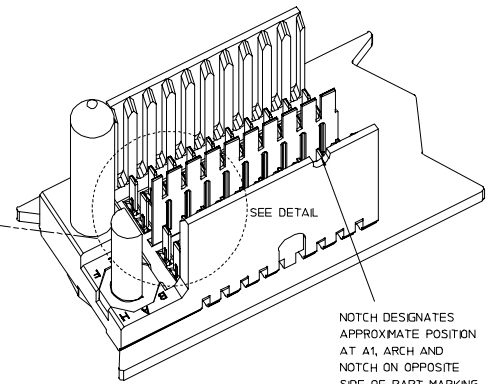
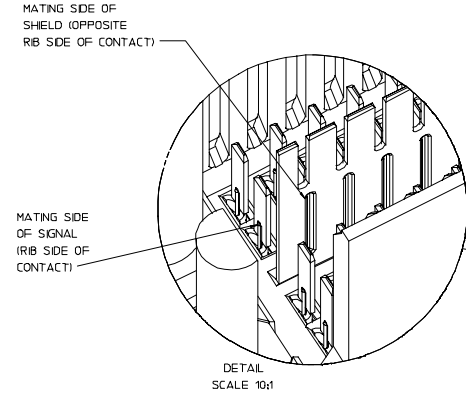
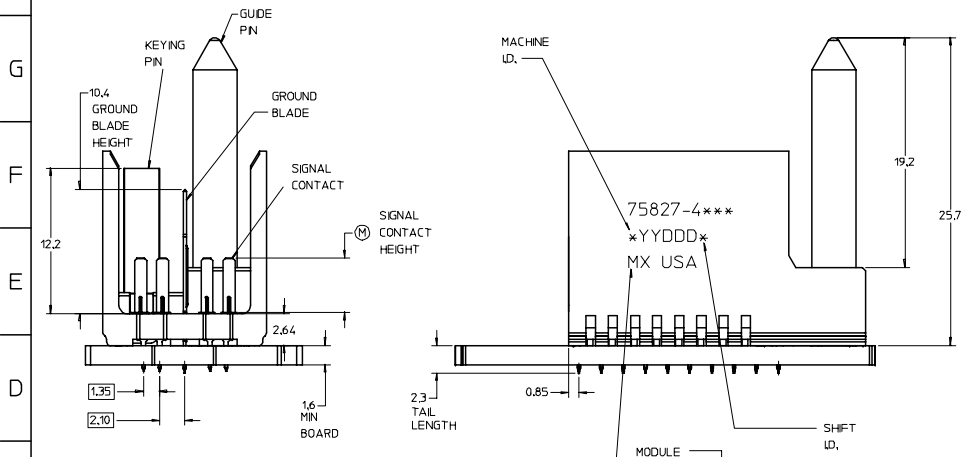
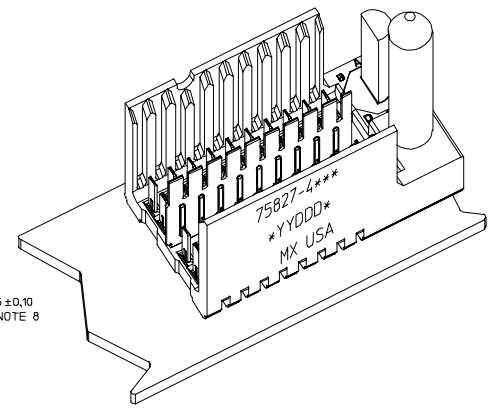
L
K
J
I
H
G
F
E
D
C
B
A

L
K
J
I
H
G
F
E
D
C
B
A

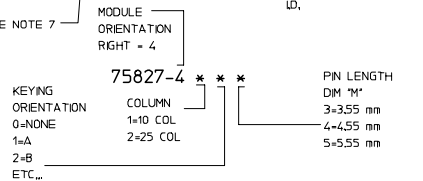


ROW AG & EG RECOMMENDED FOR ALL APPLICATIONS. THESE ROWS SHOULD BE CONNECTED TO GROUND.

BACKPLANE HOLE PATTERN (COMPONENT SIDE-10 POS SHOWN)



- NOTES:
- MATERIAL: HOUSING - LIQUID CRYSTAL POLYMER (LCP) GLASS-FILLED, UL 94V-0. COLOR - GRAY. SIGNAL CONTACT AND GROUND BLADE - HIGH PERFORMANCE COPPER ALLOY.
 - FINISHES: SELECTIVE GOLD (Au) ON CONTACT AREA, SELECTIVE TIN/LEAD (Sn/Pb) ON PCB TAILS, NICKEL (Ni) OVERALL.
 - THIS PART CONFORMS TO MOLEX PRODUCT SPECIFICATION PS-75221-999.
 - FOR MIXED CONTACT MATING LENGTHS CONSULT MOLEX FOR AVAILABILITY. CONTACT PAIRS MUST BE THE SAME LENGTH.
 - FOR SPECIFIC PART NUMBER AND MATING INFORMATION PLEASE REFER TO CHART.
 - PACKAGE PER PK-70873-5058.
 - EITHER MARK PART NUMBER AND DATE CODE APPROXIMATELY WHERE SHOWN OR PLACE A LABEL ON THE TUBE.
 - OPTIONAL HOLE LOCATION FOR GROUNDED GUIDE PIN OR ADDITIONAL GUIDE PIN SUPPORT. FOR GROUNDED GUIDE, HOLE TO BE PLATED, DRILL SIZE Ø258, PAD SIZE Ø5.50
 - THESE PARTS CONFORM TO MOLEX COSMETIC SPECIFICATION PS-45499-002 CLASS B.



| PART NUMBER TABLE | | | | |
|-------------------|----|-------|-------|---------------------------------|
| ASSY PART NO. | K | L | P | TOTAL NO. OF DIFFERENTIAL PAIRS |
| 75827-41** | 9 | 16,65 | 24,78 | 20 |
| 75827-42** | 24 | 44,40 | 52,53 | 50 |

| P/N | ---0* | ---1* | ---2* | ---3* | ---4* | ---5* | F | ---7* | ---8* |
|------------------------|-------|-------|-------|-------|-------|-------|---|-------|-------|
| 75827-1 | 0 | A | B | C | D | E | F | G | H |
| KEYING PIN ORIENTATION | | | | | | | | | |

| REVISED | DESCRIPTION | QUALITY SYMBOLS | GENERAL TOLERANCES (UNLESS SPECIFIED) | | SCALE | DESIGN UNITS | THIRD ANGLE PROJECTION | TITLE | REVISE ON CAD ONLY |
|---|---------------------------|-----------------|---------------------------------------|------------|-----------------|--------------|-------------------------------|---|--------------------|
| | | | mm | INCH | 5:1 | METRIC | | | |
| EC NO: UCP2007-2580 | DRWN: JBINGHAM 2007/05/02 | | 4 PLACES | ±--- | DIMENSION STYLE | MM ONLY | MOLEX INCORPORATED | GBX 2-PAIR RIGHT END BACKPLANE SALES ASSEMBLY | |
| CHKD: CHKD 2007/05/02 | 3 PLACES | | ±--- | DRAWN BY | | | | | DATE |
| APPR: SREED 2007/05/02 | 2 PLACES | | ±--- | CHECKED BY | DATE | | | | |
| REV | 1 PLACE | | ±--- | JMYCZEK | 2005/07/05 | | | | |
| DRAFT WHERE APPLICABLE MUST REMAIN WITHIN DIMENSIONS | | | ANGULAR ±--- | | APPROVED BY | DATE | MATERIAL NO. | DOCUMENT NO. | SHEET NO. |
| | | | | | SREED | 2005/07/05 | SEE CHART | SD-75827-410 | 1 OF 1 |
| THIS DRAWING CONTAINS INFORMATION THAT IS PROPRIETARY TO MOLEX INCORPORATED AND SHOULD NOT BE USED WITHOUT WRITTEN PERMISSION | | | | | | | | | |

19 18 17 16 15 14 13 12 11 10 9 8 7 6 5 4 3 2 1