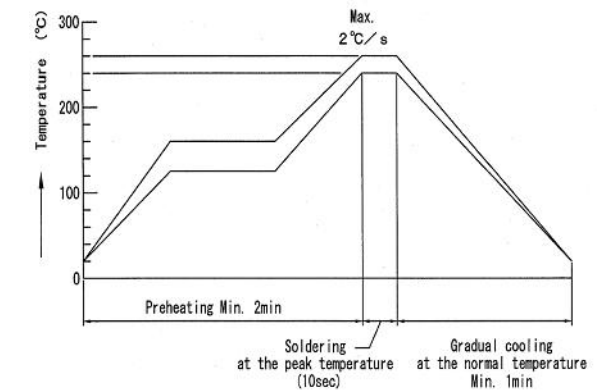


OPERATING CHARACTERISTICS AT 25 °C AMBIENT														REVISIONS				
DIALIGHT CATALOG P/N	COLOR	I _F (mA)	FORWARD VOLTAGE (V)		LUMINOUS INTENSITY (mcd)			REVERSE LEAKAGE CURRENT (μA) MAX.	PEAK WAVELENGTH (nm)	DOMINANT WAVELENGTH (nm)			LIGHT EMISSION ANGLE (DEGREES)	LED CHIP	REV.	ECN.	DRN.	DATE
			TYP.	MAX.	MIN.	TYP.	MAX.			MIN.	TYP.	MAX.						
597-3001-102F 597-3001-107F	RED	20	2.0	2.6	1.6	4.0	6.4	10	630	613	620	625	170	GaAsP	A	---	TWC	5-17-06
597-3211-102F 597-3211-107F	AMBER	20	2.1	2.8	3.0	8.0	13.0	10	610	600	605	610	180	GaAsP	A	---	TWC	5-17-06
597-3301-102F 597-3301-107F	GREEN	20	2.0	2.6	6.0	12.0	22.0	10	565	562	565	572	170	GaP	A	---	TWC	5-17-06
597-3401-102F 597-3401-107F	YELLOW	20	2.1	2.8	3.0	8.0	10.0	10	585	580	585	588	160	GaAsP	A	---	TWC	5-17-06

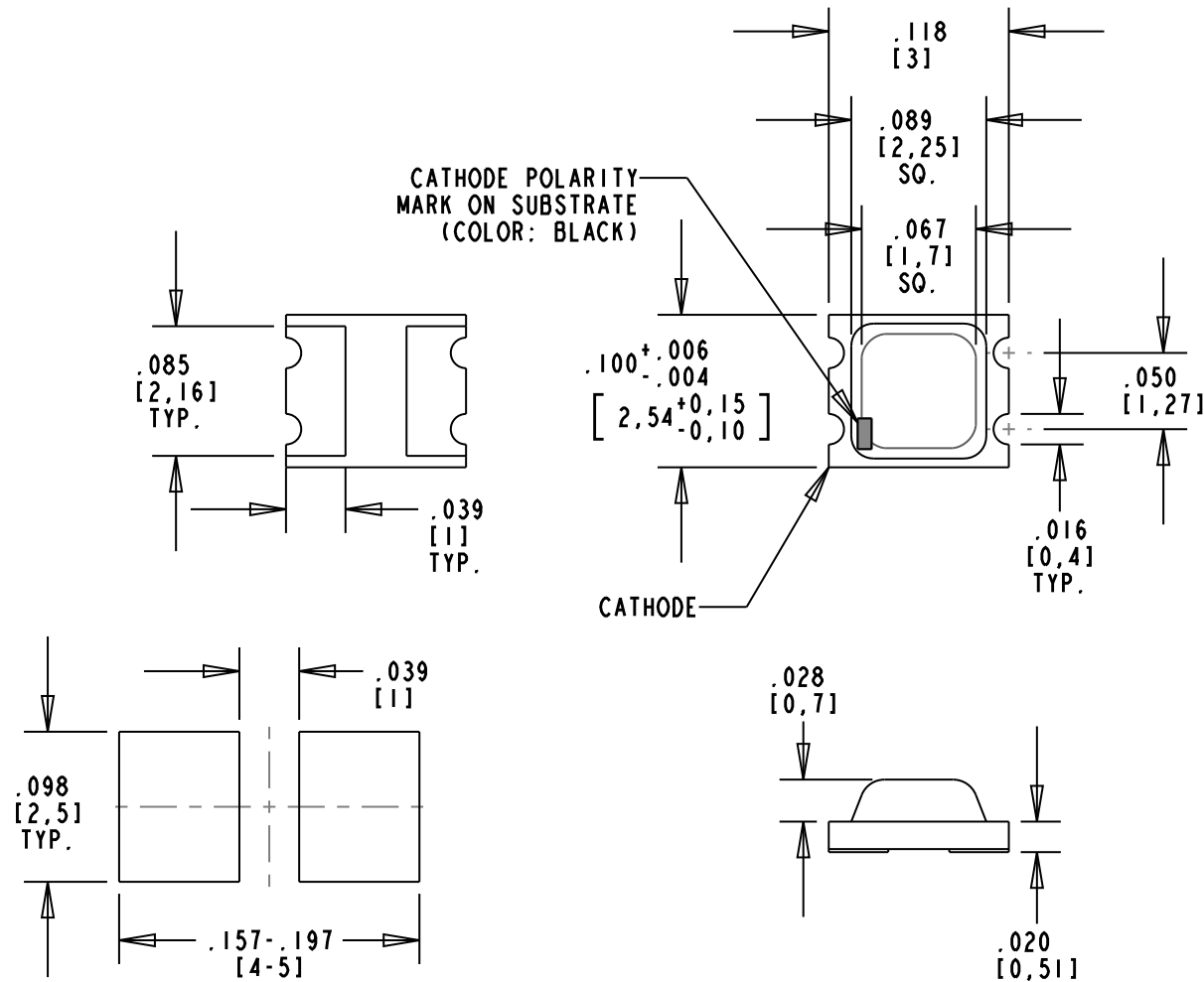
REV	ECN NO	REVISIONS	DRN	CKD	APP	DATE
A	---	NEW RELEASE	TWC	NO	TC	---
B	---	UPDATED MODEL TO SHOW SINGLE COLOR LED & PAD LAYOUT	AJF	KLJ	NO	3-9-11



RoHS COMPLIANT SOLDER REFLOW PROFILE

NOTES:

1. TERMINAL FINISH: TIN (Sn 96.5%), SILVER (Ag 3.5%) PRE-SOLDER APPLIED PARTIALLY AROUND SILVER-PALLADIUM THICK FILM PRINTED AND FIRED ON CERAMIC BODY.
2. SOLDER ADHERANCE: EACH PAD PER MIL-STD-202E, METHOD 208C.
3. SUFFIX -102F FOR 20 PCS ON A SAMPLE TAPE STRIP.
4. SUFFIX 107F TAPE AND REEL AS PER EIA STANDARD 481-1, WITH CATHODE TOWARD SPROCKET.
5. 180 mm DIA. REEL, 8 mm TAPE, 3000/REEL. PACKAGING TO DISPLAY DIALIGHT LABEL WITH DATE CODE, QTY, & P/N. PARTS POSITIONED WITH 4 mm PITCH ON REELS.
6. DIALIGHT PART NUMBER: 597-3001-102F, -107F, 597-3211-102F, -107F, 597-3301-102F, -107F, 597-3401-102F, -107F.
7. THIS ASSEMBLY CONTAINS ELECTROSTATIC DISCHARGE SENSITIVE DEVICES (ESDS). MAINTAIN ALL PRECAUTIONARY MEASURES DURING ASSEMBLY, HANDLING AND STORAGE IN ACCORDANCE WITH IPC-A-610.



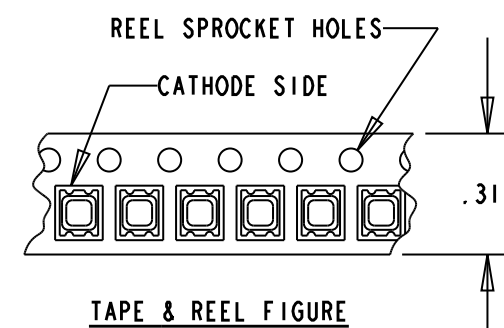
RECOMMENDED SOLDER PAD LAYOUT



ATTENTION:
OBSERVE PRECAUTIONS FOR
HANDLING ELECTROSTATIC
SENSITIVE DEVICES

RoHS Compliant 597-3XX1-10XF

Part Numbers with the "F" suffix ending are RoHS Compliant.
Example: 597-3211-107F
Packaging is marked with "RoHS Compliant" label or equivalent markings.
Parts can be reflow soldered per RoHS reflow profile, wave soldered, dip soldered or hand soldered using typical lead-free soldering process with max 260°C temp. for 10 sec.



TAPE & REEL FIGURE

ABSOLUTE MAXIMUM RATING AT 25°C AMBIENT	597-XXXX-107				UNITS
	3001 RED	3211 AMBER	3301 GREEN	3401 YELLOW	
POWER DISSIPATION	65	80	65	70	mW
CONTINUOUS FORWARD CURRENT	25				mA
PEAK FORWARD CURRENT (10% DUTY CYCLE T _w = 1 msec)	100				mA
DERATE LINEAR FROM 25 °C	.33				mA/°C
REVERSE VOLTAGE	4				V
OPERATING TEMPERATURE	-30 TO +75				°C
STORAGE TEMPERATURE	-30 TO +85				°C
REFLOW SOLDERING TEMPERATURE (t < 10 SEC)	240 TO 260				°C
IRON SOLDERING TEMPERATURE (t < 10 SEC)	280 TO 320				°C

THIS DRAWING AND THE CONTENTS HEREIN ARE CONFIDENTIAL AND THE SOLE PROPERTY OF DIALIGHT. REPRODUCTION OF THIS DRAWING OR CONSTRUCTION OF ANY PARTS WITHIN THIS DRAWING ARE FORBIDDEN WITHOUT THE WRITTEN CONSENT OF DIALIGHT.		
SCALE: 8.000 ALL DIM'S IN: INCHES (MM)	DRAWING NUMBER C-17405	REV B
TOLERANCES: UNLESS OTHERWISE SPECIFIED FRACTIONS: ±1/64 DECIMALS (.XX): ±.01 DECIMALS (.XXX): ±.004	TITLE SMT LED RoHS COMPLIANT	
ANGLES: ±1°	MATERIAL	
FINISH:	Dialight 1501 ROUTE 34 SOUTH FARMINGDALE, NJ 07727	
FSCM 83330	SHEET 1 OF 1	FAMILY TABLE: