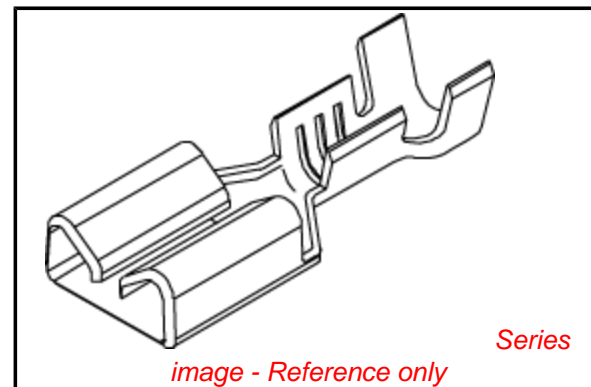


**PLEASE CHECK WWW.MOLEX.COM FOR LATEST PART INFORMATION**

**Part Number:** [0354279810](#)  
**Status:** **Active**  
**Description:** 6.00mm (.236") Tab Wire-to-Wire Terminal, Female, One-Piece Type, Wire Range AVS (CAVS) 0.85-1.25mm square (.033-.049"), Unplated, Higher Contact Insertion/Withdrawl Force

**Documents:**

<a href="#">Drawing (PDF)</a>	<a href="#">Product Specification PS-35519-001 (PDF)</a>
<a href="#">Product Specification PS-35270-001 (PDF)</a>	<a href="#">RoHS Certificate of Compliance (PDF)</a>
<a href="#">Product Specification PS-35385-001 (PDF)</a>	



**General**

Product Family	Crimp Terminals
Series	<a href="#">35427</a>
Crimp Quality Equipment	Yes
Product Name	N/A

**Physical**

Gender	Female
Material - Metal	Brass
Material - Plating Mating	Unplated
Packaging Type	Reel
Termination Interface: Style	Crimp or Compression
Wire Insulation Diameter	2.10-2.80mm (.083-.110")
Wire Size AWG	16, 18
Wire Size mm <sup>2</sup>	N/A

**Electrical**

Current - Maximum per Contact	20A
-------------------------------	-----

**Material Info**

**Reference - Drawing Numbers**

Product Specification	PS-35270-001, PS-35385-001, PS-35519-001
Sales Drawing	SD-35427-002

**EU RoHS**

**ELV and RoHS Compliant**  
**REACH SVHC**  
**Contains SVHC: No**  
**Halogen-Free Status**

**China RoHS**



**Need more information on product environmental compliance?**

Email [productcompliance@molex.com](mailto:productcompliance@molex.com)  
 For a multiple part number RoHS Certificate of Compliance, [click here](#)

Please visit the [Contact Us](#) section for any non-product compliance questions.

**Search Parts in this Series**

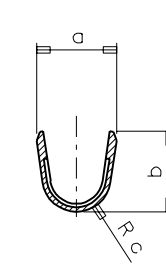
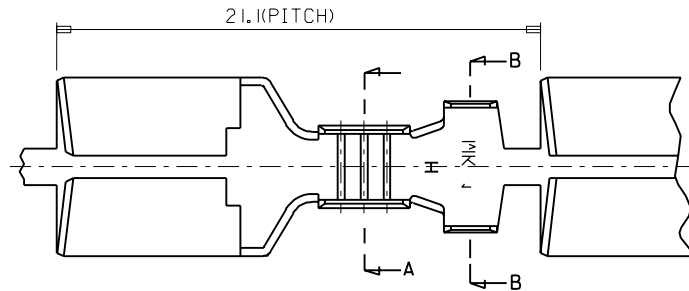
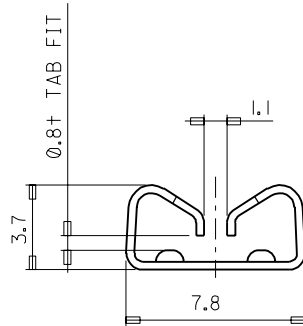
[35427Series](#)

**Mates With**

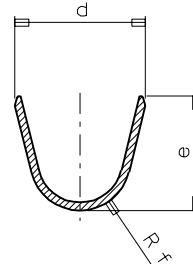
[35725 Terminal](#)

**Use With**

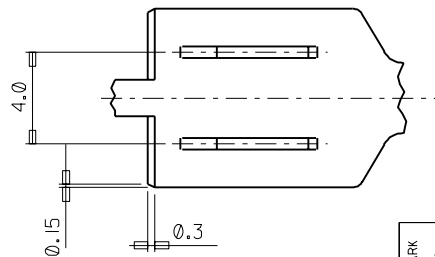
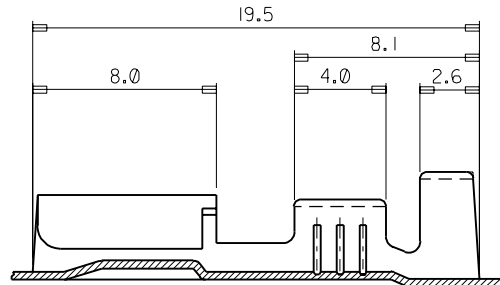
[35270 Housing](#)



SECTION A-A



SECTION B-B



PART NO.	a	b	Rc	d	e	Rf	WIRE RANGE (mmSQ)	Q'TY/REEL	FINISH	REMARK (OPTION)
35427-9700									UNPLATED	---
-9702	S	2.8	2.8	0.9	3.8	3.8	0.3 ± 0.5	5000	PLATED	---
-9710									UNPLATED	MARK "H"
35427-9800									UNPLATED	---
-9802	M	3.0	3.5	1.2	5.0	5.0	0.85 ± 1.25	5000	PLATED	---
-9810									UNPLATED	MARK "H"
35427-9900									UNPLATED	---
-9902	L	5.2	4.6	2.0	6.3	6.3	2.0 ± 3.0	4000	PLATED	---
-9910									UNPLATED	MARK "H"

NOTES

- MATERIAL : BRASS (C2600), THICK = 0.35mm
- TENSION (35427-970\*,980\*,990\*)
  - INSERTION FORCE(INITIAL) : 1.0 ± 1.5 KgF
  - WITHDRAWAL FORCE(6 TIMES) : 0.6KgF MIN.
- TENSION (35427-971\*,981\*,991\*) "H" MARK
  - INSERTION FORCE(INITIAL) : 1.5 ± 2.0 KgF
  - WITHDRAWAL FORCE(6 TIMES) : 0.8KgF MIN.

ADDED TENSION & MARK EC NO. KOR2000-0068 DRWN: B.C.YOON 00/10/25 CHK: B.K.CHOI 00/10/25 APPR: C.W.LEE 00/10/25	QUALITY SYMBOLS MAJOR $\blacktriangledown$ = 0 CRITICAL $\blacktriangledown$ = 0 C = 0	GENERAL TOLERANCES: (UNLESS SPECIFIED)		SCALE 5:1	DESIGN UNITS <input checked="" type="checkbox"/> mm <input type="checkbox"/> INCH	DIMENSIONS: <input type="checkbox"/> mm <input type="checkbox"/> INCH <input checked="" type="checkbox"/> mm ONLY	SHT   REV REVISE ON CAD ONLY			
		4 PLACES $\pm 0.$	mm   INCH	DRAWN BY & DATE J.K.OH 96/10/11	TITLE: POWERMATE FEMALE TERMINAL (S,M,L)					
		3 PLACES $\pm 0.$	mm   INCH	CHECKED BY & DATE B.KCHOI 96/10/11						
		2 PLACES $\pm 0.$	mm   INCH	APPROVED BY & DATE C.W.LEE 96/10/11						
1 PLACE $\pm 0.3$	mm   INCH	ANGULAR: $\pm 3^\circ$	CAD FILENAME: sd35427.dgn		MATERIAL NO. 35427-9***		DRAWING NO. SD-35427-002		SHEET NO. 1 OF 1	
DRAFT WHERE APPLICABLE MUST REMAIN WITHIN DIMENSIONS				THIS DRAWING CONTAINS INFORMATION THAT IS PROPRIETARY TO MOLEX INCORPORATED AND SHOULD NOT BE USED WITHOUT WRITTEN PERMISSION.				SIZE B		