

PLEASE CHECK WWW.MOLEX.COM FOR LATEST PART INFORMATION

Part Number: [0354279800](#)
Status: **Active**
Description: 6.00mm (.236") Tab Wire-to-Wire Terminal, Female, One-Piece Type, Wire Range AVS (CAVS) 0.85-1.25mm square (.033-.049"), Unplated

Documents:

[Drawing \(PDF\)](#) [Product Specification PS-35519-001 \(PDF\)](#)
[Product Specification PS-35270-001 \(PDF\)](#) [RoHS Certificate of Compliance \(PDF\)](#)
[Product Specification PS-35385-001 \(PDF\)](#)

General

Product Family Crimp Terminals
 Series [35427](#)
 Crimp Quality Equipment Yes
 Product Name N/A

Physical

Gender Female
 Material - Metal Brass
 Material - Plating Mating Unplated
 Packaging Type Reel
 Termination Interface: Style Crimp or Compression
 Wire Insulation Diameter 2.20-2.80mm (.087-.110")
 Wire Size AWG 16, 18
 Wire Size mm² N/A

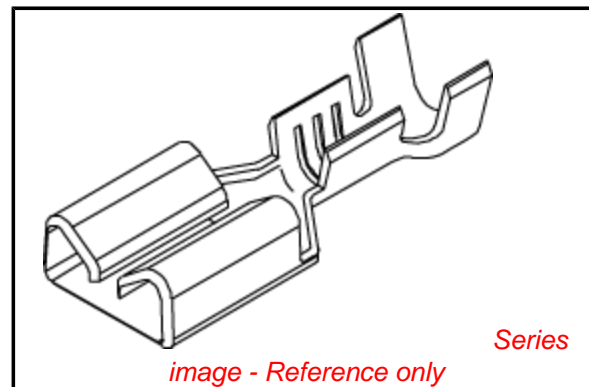
Electrical

Current - Maximum per Contact 20A

Material Info

Reference - Drawing Numbers

Product Specification PS-35270-001, PS-35385-001, PS-35519-001
 Sales Drawing SD-35427-002



EU RoHS

ELV and RoHS Compliant
REACH SVHC
Contains SVHC: No
Halogen-Free Status

China RoHS



Need more information on product environmental compliance?

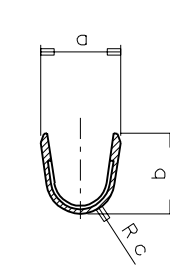
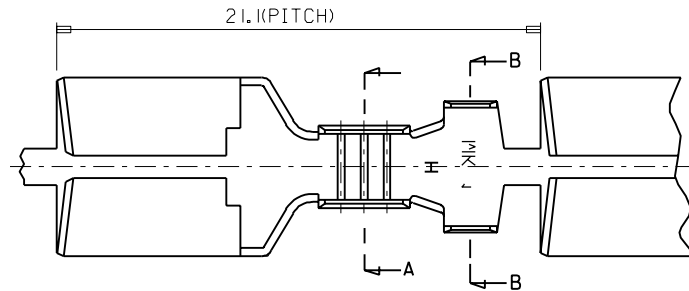
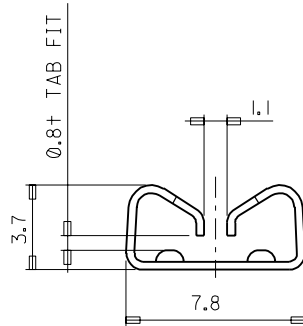
Email productcompliance@molex.com
 For a multiple part number RoHS Certificate of Compliance, [click here](#)

Please visit the [Contact Us](#) section for any non-product compliance questions.

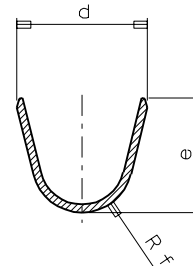
Search Parts in this Series
[35427Series](#)

Mates With
[35725 Terminal](#)

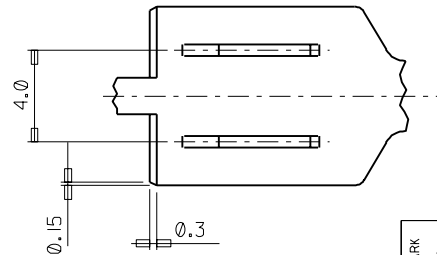
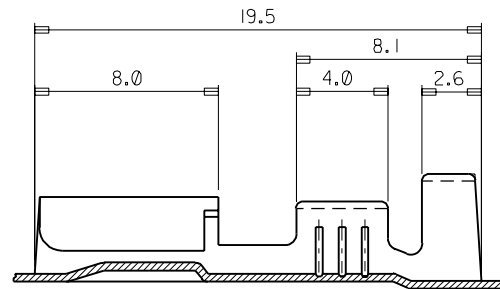
Use With
[35270 Housing](#)



SECTION A-A



SECTION B-B



PART NO.	a	b	Rc	d	e	Rf	WIRE RANGE (mmSQ)	Q'TY/REEL	FINISH	REMARK (OPTION)
35427-9700									UNPLATED	---
-9702	S	2.8	2.8	0.9	3.8	3.8	0.3 ± 0.5	5000	PLATED	---
-9710									UNPLATED	MARK "H"
35427-9800									UNPLATED	---
-9802	M	3.0	3.5	1.2	5.0	5.0	0.85 ± 1.25	5000	PLATED	---
-9810									UNPLATED	MARK "H"
35427-9900									UNPLATED	---
-9902	L	5.2	4.6	2.0	6.3	6.3	2.0 ± 3.0	4000	PLATED	---
-9910									UNPLATED	MARK "H"

NOTES

1. MATERIAL : BRASS (C2600), THICK = 0.35mm

2. TENSION (35427-970*,980*,990*)

- INSERTION FORCE(INITIAL) : 1.0 ± 1.5 KgF

- WITHDRAWAL FORCE(6 TIMES) : 0.6KgF MIN.

△ TENSION (35427-971*,981*,991*) "H" MARK

- INSERTION FORCE(INITIAL) : 1.5 ± 2.0 KgF

- WITHDRAWAL FORCE(6 TIMES) : 0.8KgF MIN.

ADDED TENSION & MARK EC NO. KOR2000-0068 DRWN: B.C.YOON 00/10/25 CHK: B.K.CHOI 00/10/25 APPR: C.W.LEE 00/10/25	QUALITY SYMBOLS MAJOR \blacktriangledown = 0 CRITICAL \blacktriangle = 0	GENERAL TOLERANCES: (UNLESS SPECIFIED)		SCALE 5:1	DESIGN UNITS <input checked="" type="checkbox"/> mm <input type="checkbox"/> INCH	THIRD ANGLE PROJECTION	DIMENSIONS: <input type="checkbox"/> mm <input type="checkbox"/> INCH <input checked="" type="checkbox"/> mm ONLY		SHT	REV
		4 PLACES ±0.	mm	INCH	mm		mm	mm	mm	mm
REV	DESCRIPTION	3 PLACES ±0.	DRAWN BY & DATE J.K.OH 96/10/11		TITLE: POWERMATE FEMALE TERMINAL (S,M,L)					
		2 PLACES ±0.	CHECKED BY & DATE B.KCHOI 96/10/11		APPROVED BY & DATE C.W.LEE 96/10/11					
		1 PLACE ±0.3	ANGULAR: ± 3 °		MATERIAL NO. 35427-9***		DRAWING NO. SD-35427-002		SHEET NO. 1 OF 1	
DRAFT WHERE APPLICABLE MUST REMAIN WITHIN DIMENSIONS		THIS DRAWING CONTAINS INFORMATION THAT IS PROPRIETARY TO MOLEX INCORPORATED AND SHOULD NOT BE USED WITHOUT WRITTEN PERMISSION.		SIZE B						