

# SERIES TL 1220 SWITCHES



## ILLUMINATED TACT SWITCH



### FEATURES & BENEFITS

- Multiple illuminated cap options
- Single color LED options available
- Sharp, tactile response

### APPLICATIONS / MARKETS

- Telecommunications
- Consumer Electronics
- Audio/visual
- Medical
- Computer/servers/peripherals

### MECHANICAL SPECIFICATIONS

Mechanical Life:	500,000 cycles
Force:	180 ± 50 gf
Travel:	0.2mm ± 0.1mm

### ELECTRICAL SPECIFICATIONS

Contact Rating:	12VDC @ 50mA
Contact Resistance (Initial Max.):	100 mOhms @ 1.5VDC
Insulation Resistance (min.@500V):	100 MOhms
Dielectric Strength (1 Min.):	500VAC
Bounce:	10m Second Max

### ENVIRONMENTAL SPECIFICATIONS

Operating Temperature:	-20°C to +70°C
------------------------	----------------

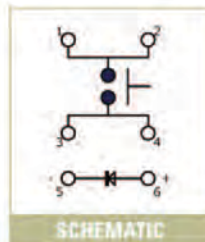
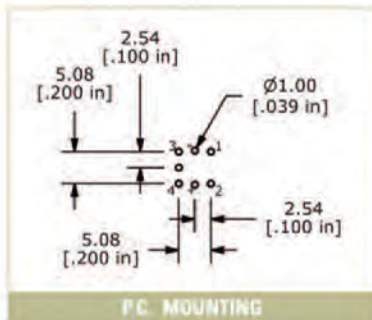
### HOW TO ORDER

SERIES	BUTTON	BEZEL	BEZEL COLOR	BUTTON COLOR	LED COLOR	GRAPHIC
<b>TL 1220</b>						
	N = No button S1=7.5mm sq. short S2 = 7.5mm sq. tall S3 = 1-x14 rect.* S4 = 1-x19 rect.* R1 = 7mm dia. R2 = 8mm dia. R3 = 10mm dia.	N = No Bezel B = With Bezel	N = No Bezel B = Black G = Gray	N = No button B = Black G = Gray R = Red S = Silver	N = No LED R = Red G = Green Y = Yellow B = Blue W = White RG = Red-Green RY = Red-Yellow RB = Red-Blue YG = Yellow-Green YB = Yellow-Blue GB = Green-Blue	N = No Graphic

**Example Ordering Number**  
TL1220S1BBBRN

\* The S3 and S4 rectangular buttons are not available with bezel options

Specifications subject to change without notice.



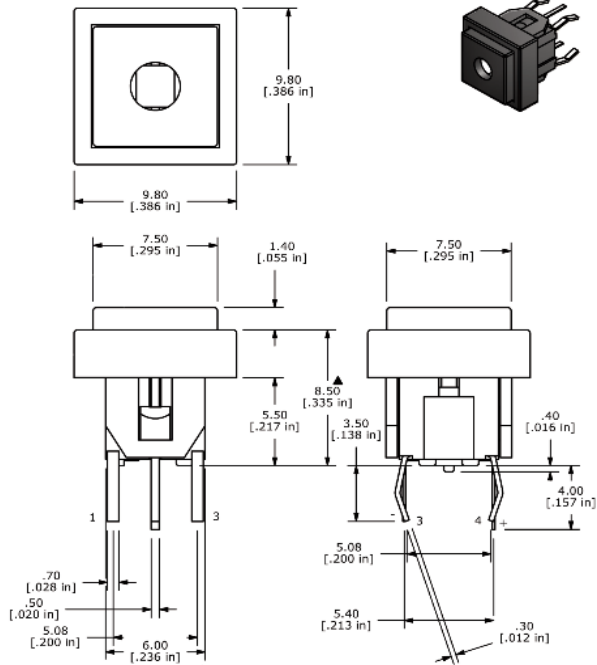
	LED Specifications					
	UNITS	BLUE	RED	GREEN	YELLOW	WHITE
Forward Current	mA	5mA	20mA	20mA	20mA	20mA
Forward Voltage @20mA	VDC	2.9-4.0	1.95-2.5	2.1-2.5	2.0-2.5	3.2-4.0
Luminous Intensity @20mA	mcd	150	3000	400	1300	100

# SERIES TL 1220 SWITCHES

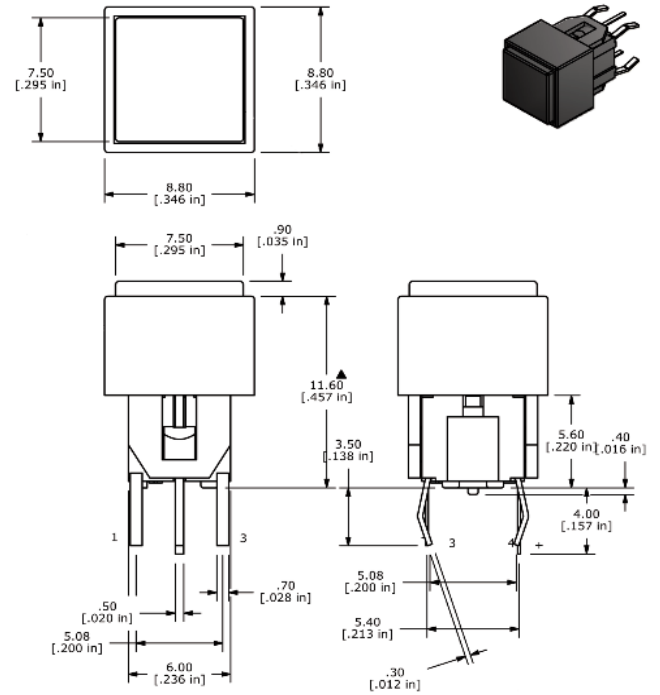


## ILLUMINATED TACT SWITCH

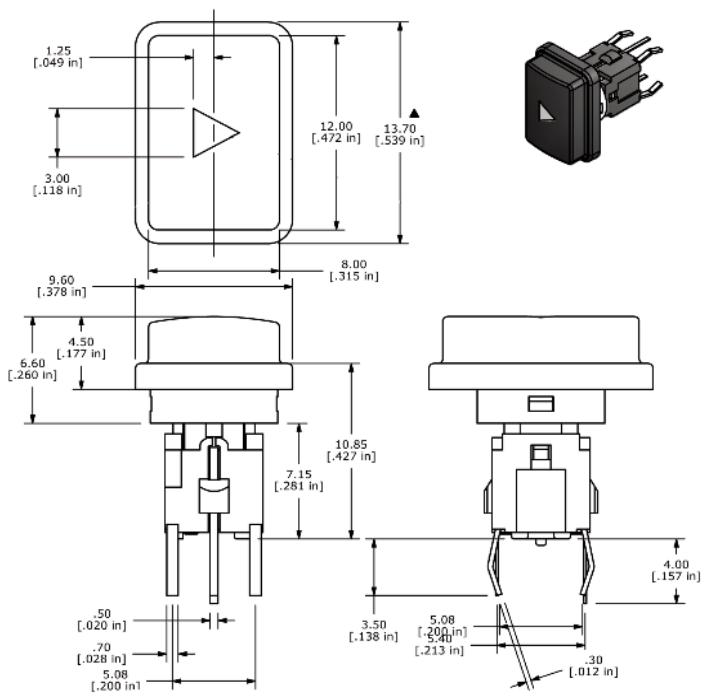
S1 Button - 7.5mm Square Short



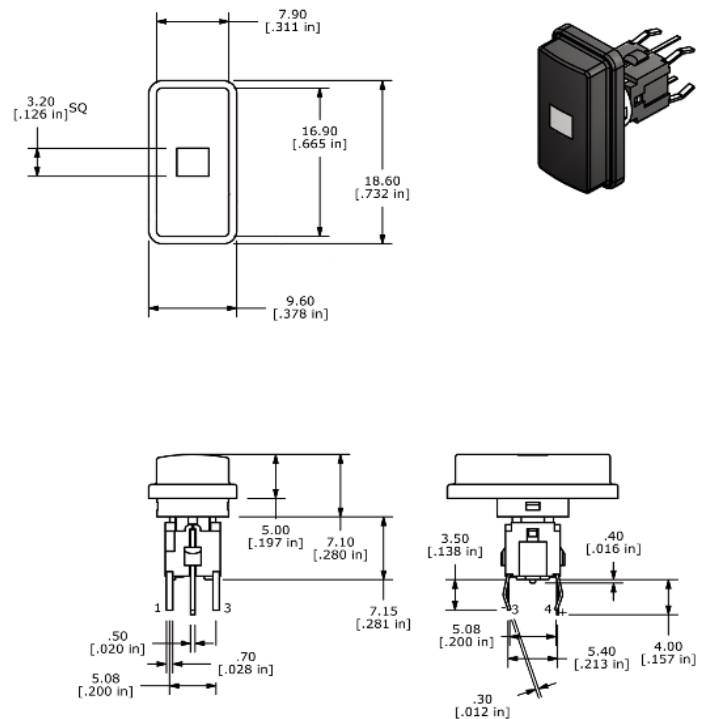
S2 Button - 7.5mm Square Tall



S3 Button - 10x14 Rectangle



S4 Button - 10x19 Rectangle



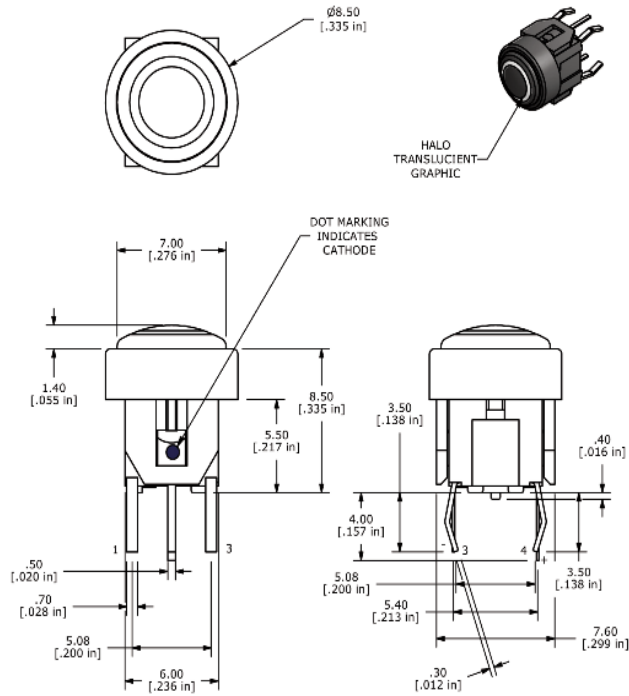
# SERIES TL 1220 SWITCHES



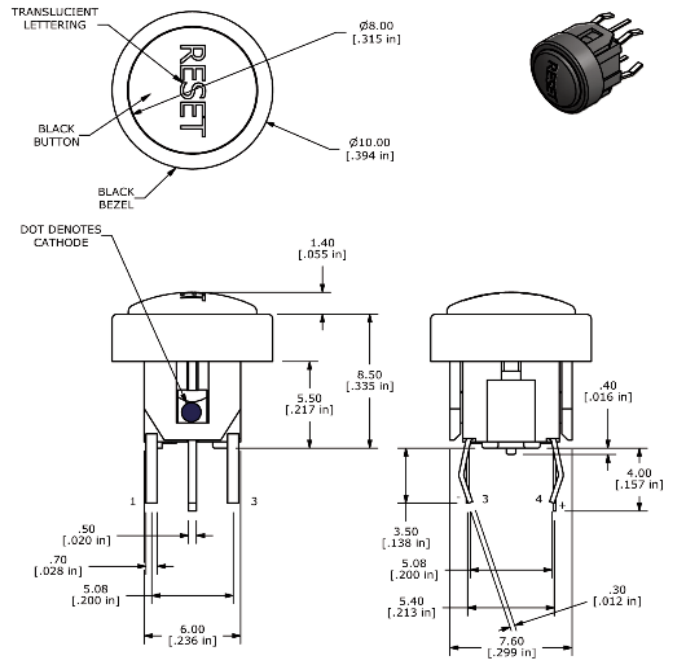
E-SWITCH™

## ILLUMINATED TACT SWITCH

R1 Button - 7mm dia.



R2 Button - 8mm dia.



R3 Button - 10mm dia.

