

Optical IR Bandpass Filter 860nm



General Description

General purpose optical IR bandpass filter at centre wavelength of 860nm. It is deposited on thin glass carrier.

The filter is designed as a single peak window filter for the wavelength range of 300 - 1050nm. It is well adapted for applications with high power LED of 850nm (e.g. OSRAM SFH 4258).

Features

- Optimized for high power LED 850nm
- Single peak window filter bandpass 860nm
- Specified wave range 300 – 1050nm
- Thin glass substrate
- Standard size
- Customer size on request
- Packaged in tape-on-reel for easy automatic assembly

Safety Class

- not available

Applications

- IR sensor
- Light barrier
- IR camera

Optical Data

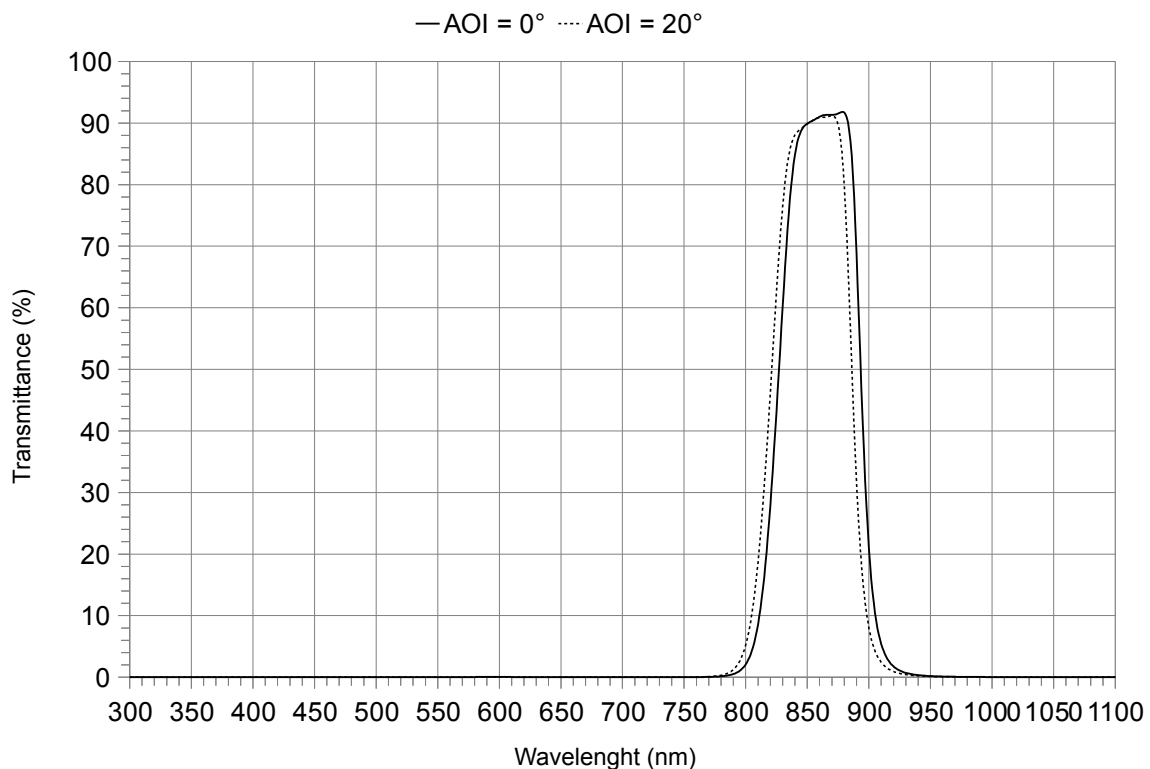



Figure 1: Transmittance spectrum

Optical Data (cont.)

Symbol	Parameter	Conditions/Comments	Parameter	Values			Units
				Min.	Typ.	Max.	
AOI	Angle of incident	Random polarized		0			deg
CWL _(45%)	Centre wavelength	@ 45% transmittance		860 ±6			nm
FWHM _(45%)	Full width at half maximum	@ 45% transmittance		65 ±10			nm
T _{avg}	Transmittance	@ 300 nm - 800 nm		≤ 0.1			%
T _{avg}	Transmittance	@ 845 nm - 875 nm		> 80			%
T _{abs}	Transmittance	@ 860 ±6 nm		> 80			%
T _{avg}	Transmittance	@ 950nm - 1050nm		≤ 0.1			%
AOI	Angle of incident	Random polarized		0 - 20			deg
SS	Spectral shift			< 15			nm

Mechanical Data (all measures in mm, )

Symbol	Parameter	Conditions/Comments	Parameter	Values			Units
				Min.	Typ.	Max.	
	Glass			D263T ECO or equiv.			
	Length			6.0 ±0.10			mm
	Width			2.8 ±0.10			mm
	Thickness			0.55 ±0.05			mm
	Operating ambient temperature			-40		+85	deg C
	Relative humidity	not condensing		+5		+95	%

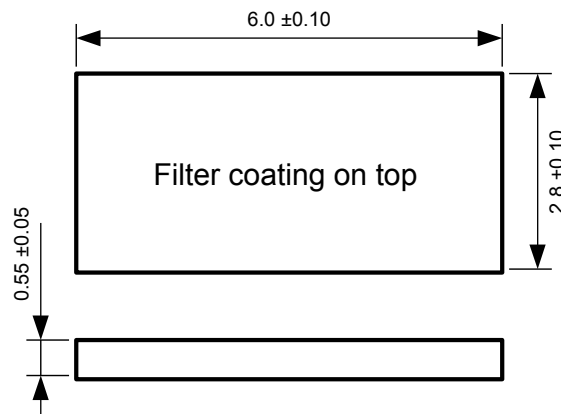


Figure 2: Mechanical dimensions

Packaging Information (all measures in mm, )

Tape & Reel Information

The devices are mounted on embossed tape for automatic placement systems. The tape is wound on 178 mm (7 inch) reels and individually packaged for shipment. General tape-and-reel specification data are available in a separate data sheet and indicate the tape sizes for various package types. Further tape-and-reel specifications can be found in the Electronic Industries Association (EIA) standard 481-1, 481-2, 481-3.

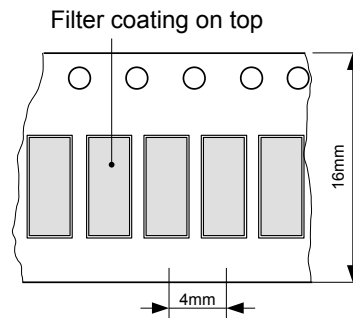


Figure 3: Tape Dimensions. Parts are placed with filter coating top side

Reel type	Tape size	Pieces / Reel	Packaging method
7 inch	16 mm	1'000 pcs	- Aluminium bag with vapor barrier - protective N ₂ -atmosphere

ESPROS Photonics AG does not guarantee that there are no empty cavities. Thus, the pick-and-place machine should check the presence of a chip during picking.

Ordering Information

Type	Size	RoHS compliance	Packaging Method
epc-bp-860-6.0x2.8	6.0 x 2.8 mm	Yes	Reel

IMPORTANT NOTICE

ESPROS Photonics AG and its subsidiaries (epc) reserve the right to make corrections, modifications, enhancements, improvements, and other changes to its products and services at any time and to discontinue any product or service without notice. Customers should obtain the latest relevant information before placing orders and should verify that such information is current and complete. All products are sold subject to epc's terms and conditions of sale supplied at the time of order acknowledgment.

epc warrants performance of its hardware products to the specifications applicable at the time of sale in accordance with epc's standard warranty. Testing and other quality control techniques are used to the extent epc deems necessary to support this warranty. Except where mandated by government requirements, testing of all parameters of each product is not necessarily performed.

epc assumes no liability for applications assistance or customer product design. Customers are responsible for their products and applications using epc components. To minimize the risks associated with customer products and applications, customers should provide adequate design and operating safeguards.

epc does not warrant or represent that any license, either express or implied, is granted under any epc patent right, copyright, mask work right, or other epc intellectual property right relating to any combination, machine, or process in which epc products or services are used. Information published by epc regarding third-party products or services does not constitute a license from epc to use such products or services or a warranty or endorsement thereof. Use of such information may require a license from a third party under the patents or other intellectual property of the third party, or a license from epc under the patents or other intellectual property of epc.

Resale of epc products or services with statements different from or beyond the parameters stated by epc for that product or service voids all express and any implied warranties for the associated epc product or service. epc is not responsible or liable for any such statements.

epc products are not authorized for use in safety-critical applications (such as life support) where a failure of the epc product would reasonably be expected to cause severe personal injury or death, unless officers of the parties have executed an agreement specifically governing such use. Buyers represent that they have all necessary expertise in the safety and regulatory ramifications of their applications, and acknowledge and agree that they are solely responsible for all legal, regulatory and safety-related requirements concerning their products and any use of epc products in such safety-critical applications, notwithstanding any applications-related information or support that may be provided by epc. Further, Buyers must fully indemnify epc and its representatives against any damages arising out of the use of epc products in such safety-critical applications.

epc products are neither designed nor intended for use in military/aerospace applications or environments unless the epc products are specifically designated by epc as military-grade or "enhanced plastic." Only products designated by epc as military-grade meet military specifications. Buyers acknowledge and agree that any such use of epc products which epc has not designated as military-grade is solely at the Buyer's risk, and that they are solely responsible for compliance with all legal and regulatory requirements in connection with such use.

epc products are neither designed nor intended for use in automotive applications or environments unless the specific epc products are designated by epc as compliant with ISO/TS 16949 requirements. Buyers acknowledge and agree that, if they use any non-designated products in automotive applications, epc will not be responsible for any failure to meet such requirements.