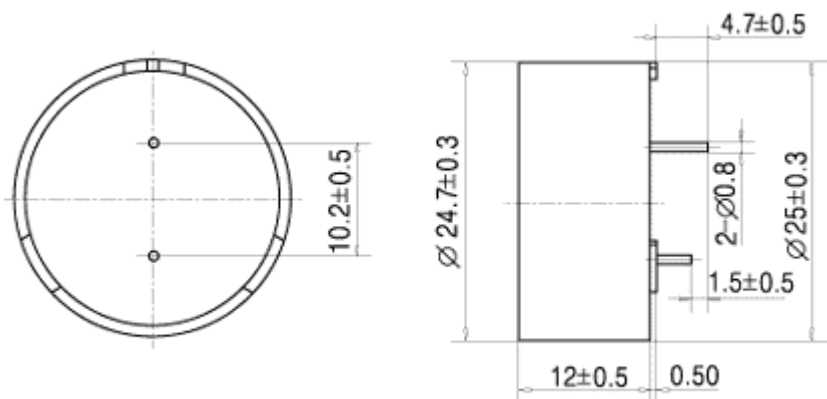




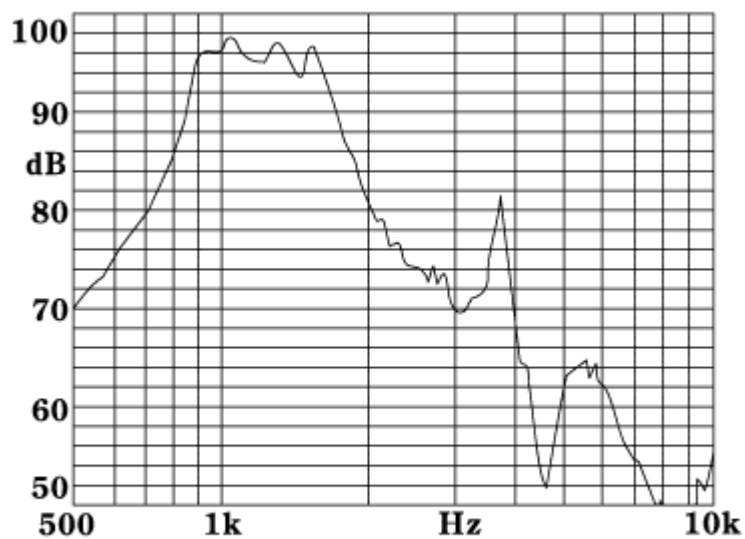
Type	BMT-2506A	BMT-2506B	BMT-2512B
Rated Voltage(V)	6	6	12
Operating Voltage(V)	3~7	3~7	8~14
◆Rated Current(mA)	<80	<70	<55
Coil Resistance(Ω)	27 ± 4	36 ± 5	120 ± 12
◇Coil Impedance(Ω)	38	48	155
◆Sound Output at 10cm(dB)	>85		
Resonant Frequency(Hz)	730	1000~1500(>80dB)	
Operating Temperature($^{\circ}$ C)	-25~+70		
Storage Temperature($^{\circ}$ C)	-30~+85		
Weight(g)	10		

◆ Value applying rated voltage(resonant frequency,1/2 duty,square wave)

◇ Value applying(resonant frequency,sine wave,measuring current 60μ A)



Unit:mm



Applied voltage:6 V,1/2 duty,square wave
Distance for measurement:10cm