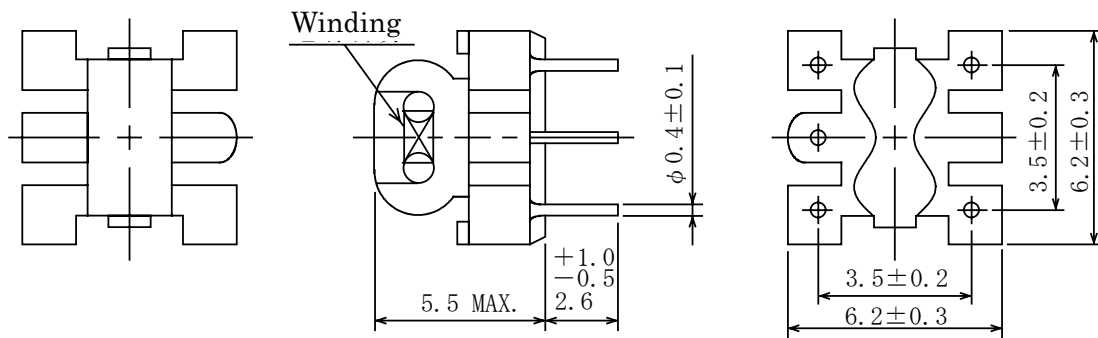
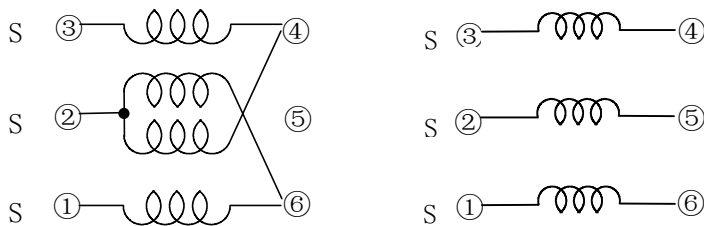


Type: BM-6N
◆ Product Description

- 6.5 × 6.5mm Max.(L × W), 5.5mm Max. Height.
- Operating frequency: 100kHz ~ 1GHz

◆ Feature

- Balance-unbalance transformer, common mode choke.
- Ideally used in EMC and balance-unbalance converter circuit, CATV signal transfer.
- RoHS Compliance.


◆ Dimensions (mm)

◆ Schematics (Bottom)


“S” is winding start.

◆ SPECIFICATION

Part No.	1-6	2-4	2-6	3-4
2286-T005	3.5T	3.5T	3.5T	3.5T
2286-T008	2.5T	2.5T	2.5T	2.5T