

- STRUCTURE** Silicon Monolithic Integrated Circuit  
**PRODUCT NAME** 1ch DC/DC Converter Controller IC with Built-in Synchronous Rectifier  
**TYPE** **BD9122GUL**  
**FEATURES**
  - Output Voltage : Adjustable(1.0~2.0V), Output Current : 0.3A
  - Low Operating Voltage
  - High Efficiency and Fast Transient Response

## ○ABSOLUTE MAXIMUM RATING (Ta=25°C)

Parameter	Symbol	Limit	Unit
Supply Voltage	VCC	-0.3~+7 * <sup>1</sup>	V
	PVCC	-0.3~+7 * <sup>1</sup>	V
EN Voltage	EN	-0.3~+7	V
SW · ITH Voltage	SW, ITH	-0.3~+7	V
SW Output Current	ISW	0.8 * <sup>1</sup>	A
Power Dissipation 1	Pd1	660 * <sup>2</sup>	mW
Operating Temperature Range	Topr	-30~+85	°C
Storage Temperature Range	Tstg	-55~+150	°C
Maximum Junction Temperature	Tjmax	+150	°C

\*<sup>1</sup> Pd, ASO, and Tjmax=150°C should not be exceeded.

\*<sup>2</sup> Derating is 5.28°C/W for temperatures above Ta=25°C (when mounted on 50mm×58mm×1.6mm glass epoxy PCB).

## ○OPERATING CONDITIONS (Ta=-30~+85°C)

Parameter	Symbol	Min.	Typ.	Max.	Unit
Supply Voltage	VCC	2.5	3.3	5.5	V
	PVCC	2.5	3.3	5.5	V
EN Voltage	EN	0	-	VCC	V
Output Voltage Range	VOUT	1.0	-	2.0* <sup>3</sup>	V
SW Average Output Current	ISW	-	-	0.3* <sup>4</sup>	A

\*<sup>3</sup> In case set output voltage 1.8V or more, VccMin. = Vout + 0.7V.

\*<sup>4</sup> Pd and ASO should not be exceeded.

This product is not designed for protection against radioactive rays.

**Status of this document**

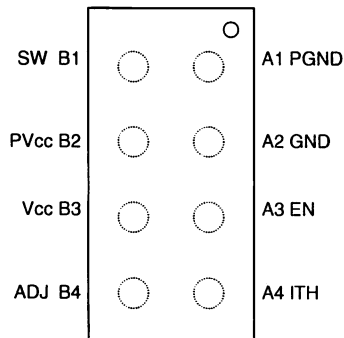
The Japanese version of this document is the formal specification. This translated version is exclusively intended as a reference, and may only be used as an auxiliary aid in reading the formal version. If there are any differences between the Japanese and translated versions of this document, the formal version takes priority.

○ELECTRICAL CHARACTERISTICS

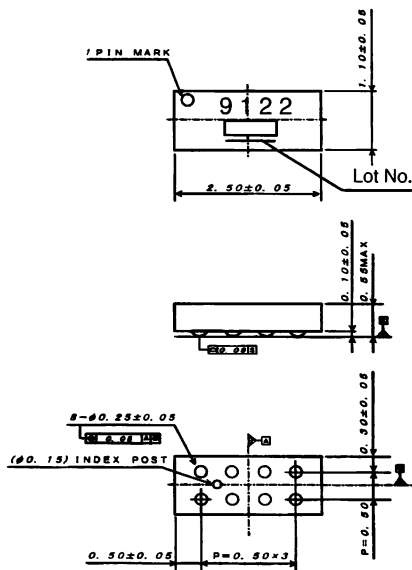
(Unless otherwise specified, Ta=25°C Vcc=PVcc=3.3V, EN=Vcc, R1=20kΩ, R2=10kΩ)

Parameter	Symbol	Limit			Unit	Condition
		Min.	Typ.	Max.		
Standby Current	ISTB	-	0	10	μA	EN=GND
Bias Current	ICC	-	250	400	μA	
EN Low Voltage (Stand-by Mode)	VENL	-	GND	0.8	V	
EN High Voltage (Active Mode)	VENH	2.0	Vcc	-	V	
EN Input Current	IEN	-	1	10	μA	VEN=3.3V
Oscillation Frequency	FOSC	0.8	1	1.2	MHz	
Pch FET ON Resistance	RONP	-	0.3	0.6	Ω	PVcc=3.3V
Nch FET ON Resistance	RONN	-	0.2	0.5	Ω	PVcc=3.3V
ADJ Reference Voltage	VADJ	0.780	0.800	0.820	V	
Output Voltage	VOUT	-	1.200	-	V	
ITH SINK Current	ITHSI	10	20	-	μA	VADJ=1.0V
ITH Source Current	ITHSO	10	20	-	μA	VADJ=0.6V
UVLO Threshold Voltage	VUVLO1	2.2	2.3	2.4	V	VCC=3→0V
UVLO Release Voltage	VUVLO2	2.22	2.35	2.5	V	VCC=0→3V
Soft Start Time	TSS	0.5	1	2	ms	
Timer Latch Time	TLATCH	1	2	4	ms	SCP/TSD Operational Mode
Output Short circuit Threshold Voltage	VSCP	-	VOUT×0.5	VOUT×0.7	V	VOUT=2→0V

○PIN DISTRIBUTION (Top View)

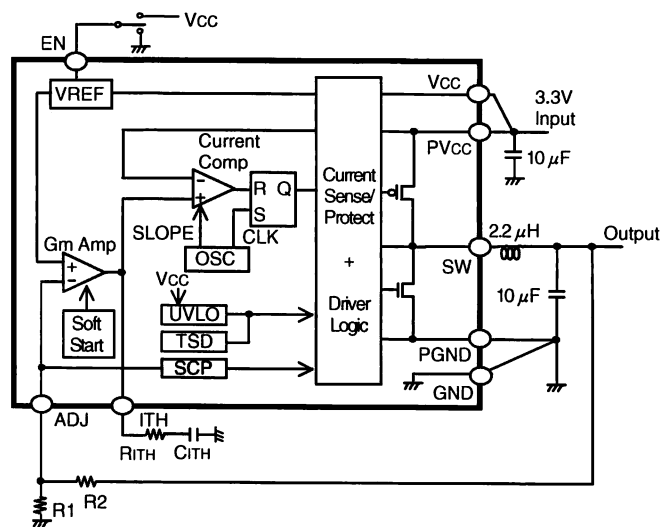


○PHYSICAL DIMENSION



VCSP50L2 (unit : mm)

○BLOCK DIAGRAM, APPLICATION CIRCUIT



The Output Voltage is set by the external resistor divider and is calculated as :  
 $V_{out} = (R2/R1 + 1) \times V_{ADJ}$  . . . ①  $V_{ADJ}$  : ADJ pin reference Voltage (0.8V typ)  
 It's possible to adjust the output voltage by R1 and R2. (The Vout must be set from 1.0V to 2.0V.)  
 Resistance R1 ≒ 10kΩ is recommended. Please confirm the ripple voltage, if you can use the resistance more than 100kΩ.

○PIN No, PIN NAME

Pin No.	Pin Name
A1	PGND
A2	GND
A3	EN
A4	ITH
B1	SW
B2	PVCC
B3	VCC
B4	ADJ

## ○NOTES FOR USE

- (1) Absolute maximum rating  
Although the quality of this IC is rigorously controlled and will function properly in normal operating conditions, the IC may be destroyed when applied voltage or operating temperature exceeds its absolute maximum rating. Because short mode or open mode cannot be specified when the IC is destroyed, it is important to take physical safety measures such as fusing if a special mode in excess of absolute rating limits is to be implemented.
- (2) GND potential  
Make sure the potential for the GND pin is always kept at the minimum, regardless of the operating mode. In addition, verify that the GND voltage is lower than the potential of all terminals except SW, PGND and GND in all conditions, including electric transient events.
- (3) Thermal design  
Do not exceed the power dissipation (Pd) of the package specification rating under actual operation. Provide sufficient margin in the thermal design to account for the Pd expected in actual use.
- (4) Short-circuits between pins and incorrect mounting position  
When mounting the IC onto the set PCB, be extremely careful about the orientation and position of the IC. The IC may be destroyed if it is incorrectly positioned for mounting. Do not short-circuit between pins, or between a pin and the power supply or ground terminal. Note that introducing foreign matter in these paths will cause shorts and may damage the IC.
- (5) Operation in strong electromagnetic fields  
Use in strong electromagnetic fields may cause malfunctions. Use extreme caution with electromagnetic fields.
- (6) ASO (Area of Safe Operation)  
Do not exceed the maximum ASO parameter or the absolute maximum ratings of the output driver.
- (7) TSD (Thermal Shutdown) circuit  
This product is provided with a built-in thermal shutdown (TSD) circuit, which is activated when the IC chip temperature rises to the threshold value. In this case, TSD automatically latches output OFF. Output is restored when the EN block is activated again, or when UVLO is deactivated. Note that the TSD circuit is provided for the exclusive purpose shutting down the IC in the presence of extreme heat, and is not designed to protect the IC per se or guarantee performance when or after extreme heat conditions occur. Therefore, do not operate the IC with the expectation of continued use or subsequent operation once the TSD is activated.
- (8) GND wiring pattern  
When both a small-signal GND and high current GND are present, single-point grounding (at the standard point on the circuit set board) is recommended. This will separate the small-signal and high current patterns, and serves to ensure that the high current flow and wire impedance will not change the small-signal GND voltage. In the same way, care must be taken to avoid wiring pattern fluctuations in any connected external component GND.
- (9) Operation in supply voltage range  
Circuit functionality is guaranteed within the operating ambient temperature, as long as the operation is within the supply voltage range. The standard electrical characteristics cannot be guaranteed.  
However, any variation in these values will be small, as long as the operation is within the supply voltage range.
- (10) The application schematic presented above is an example of recommended circuit layout. Although the circuit example is sound, actual circuit characteristics should be checked carefully before use. Be sure to allow sufficient margins to accommodate variations between external devices and this IC when employing the depicted circuit with other circuit constants modified. Both static and transient characteristics should be considered in establishing these margins. When switching noise is substantial and may impact the system, a low pass filter should be inserted between the Vcc and PVcc pins, and a Schottky barrier diode established between the SW and PGND pins.

(11) Overcurrent protection circuit/Output short protection circuit

The overcurrent protection circuit is built into output, and functions as the current limit.

Note that if the protection circuit operates more than a specified time period (when the output short-circuit protection circuit detects a load short or other similar state) the output will be latched OFF.

Output is restored when the EN block is activated again, or when UVLO is deactivated. Although the protection circuits effectively prevent IC destruction under fault conditions, they should not be employed continuously.

(12) Selection of inductor

Please use an inductor with a series resistance element (DCR) under  $0.2\Omega$ . Note that use of a high DCR inductor will cause an inductor loss, resulting in decreased voltage output. Should this condition continue for a specified period (soft start time + timer latch time), output short circuit protection will be activated and output will be latched OFF. When using an inductor over  $0.2\Omega$ , be careful to ensure adequate margins for variation between external devices and this IC, including transient as well as static characteristics.

### Notes

- No technical content pages of this document may be reproduced in any form or transmitted by any means without prior permission of ROHM CO.,LTD.
- The contents described herein are subject to change without notice. The specifications for the product described in this document are for reference only. Upon actual use, therefore, please request that specifications to be separately delivered.
- Application circuit diagrams and circuit constants contained herein are shown as examples of standard use and operation. Please pay careful attention to the peripheral conditions when designing circuits and deciding upon circuit constants in the set.
- Any data, including, but not limited to application circuit diagrams information, described herein are intended only as illustrations of such devices and not as the specifications for such devices. ROHM CO.,LTD. disclaims any warranty that any use of such devices shall be free from infringement of any third party's intellectual property rights or other proprietary rights, and further, assumes no liability of whatsoever nature in the event of any such infringement, or arising from or connected with or related to the use of such devices.
- Upon the sale of any such devices, other than for buyer's right to use such devices itself, resell or otherwise dispose of the same, no express or implied right or license to practice or commercially exploit any intellectual property rights or other proprietary rights owned or controlled by
- ROHM CO., LTD. is granted to any such buyer.
- Products listed in this document are no antiradiation design.

The products listed in this document are designed to be used with ordinary electronic equipment or devices (such as audio visual equipment, office-automation equipment, communications devices, electrical appliances and electronic toys).

Should you intend to use these products with equipment or devices which require an extremely high level of reliability and the malfunction of which would directly endanger human life (such as medical instruments, transportation equipment, aerospace machinery, nuclear-reactor controllers, fuel controllers and other safety devices), please be sure to consult with our sales representative in advance.

#### About Export Control Order in Japan

Products described herein are the objects of controlled goods in Annex 1 (Item 16) of Export Trade Control Order in Japan.

In case of export from Japan, please confirm if it applies to "objective" criteria or an "informed" (by MITI clause) on the basis of "catch all controls for Non-Proliferation of Weapons of Mass Destruction.

Thank you for your accessing to ROHM product informations.  
More detail product informations and catalogs are available,  
please contact your nearest sales office.

Please contact our sales offices for details ;

U.S.A / San Diego	TEL : +1(858)625-3630	FAX : +1(858)625-3670
Atlanta	TEL : +1(770)754-5972	FAX : +1(770)754-0691
Dallas	TEL : +1(972)312-8818	FAX : +1(972)312-0330
Germany / Dusseldorf	TEL : +49(2154)9210	FAX : +49(2154)921400
United Kingdom / London	TEL : +44(1)908-282-666	FAX : +44(1)908-282-528
France / Paris	TEL : +33(0)1 56 97 30 60	FAX : +33(0) 1 56 97 30 80
China / Hong Kong	TEL : +852(2)740-6262	FAX : +852(2)375-8971
Shanghai	TEL : +86(21)6279-2727	FAX : +86(21)6247-2066
Dilian	TEL : +86(411)8230-8549	FAX : +86(411)8230-8537
Beijing	TEL : +86(10)8525-2483	FAX : +86(10)8525-2489
Taiwan / Taipei	TEL : +866(2)2500-6956	FAX : +866(2)2503-2869
Korea / Seoul	TEL : +82(2)8182-700	FAX : +82(2)8182-715
Singapore	TEL : +65-6332-2322	FAX : +65-6332-5662
Malaysia / Kuala Lumpur	TEL : +60(3)7958-8355	FAX : +60(3)7958-8377
Philippines / Manila	TEL : +63(2)807-6872	FAX : +63(2)809-1422
Thailand / Bangkok	TEL : +66(2)254-4890	FAX : +66(2)256-6334

Japan /  
(Internal Sales)

Tokyo	2-1-1, Yaesu, Chuo-ku, Tokyo 104-0082	TEL : +81(3)5203-0321	FAX : +81(3)5203-0300
Yokohama	2-4-8, Shin Yokohama, Kohoku-ku, Yokohama, Kanagawa 222-8575	TEL : +81(45)476-2131	FAX : +81(45)476-2128
Nagoya	Dainagayo Building 9F 3-28-12, Meieki, Nakamura-ku, Nagoya, Aichi 450-0002	TEL : +81(52)581-8521	FAX : +81(52)561-2173
Kyoto	579-32 Higashi Shiokouji-cho, Karasuma Nishi-iru, Shiokoujidori, Shimogyo-ku, Kyoto 600-8216	TEL : +81(75)311-2121	FAX : +81(75)314-6559

(Contact address for overseas customers in Japan)

Yokohama	TEL : +81(45)476-9270	FAX : +81(045)476-9271
----------	-----------------------	------------------------