

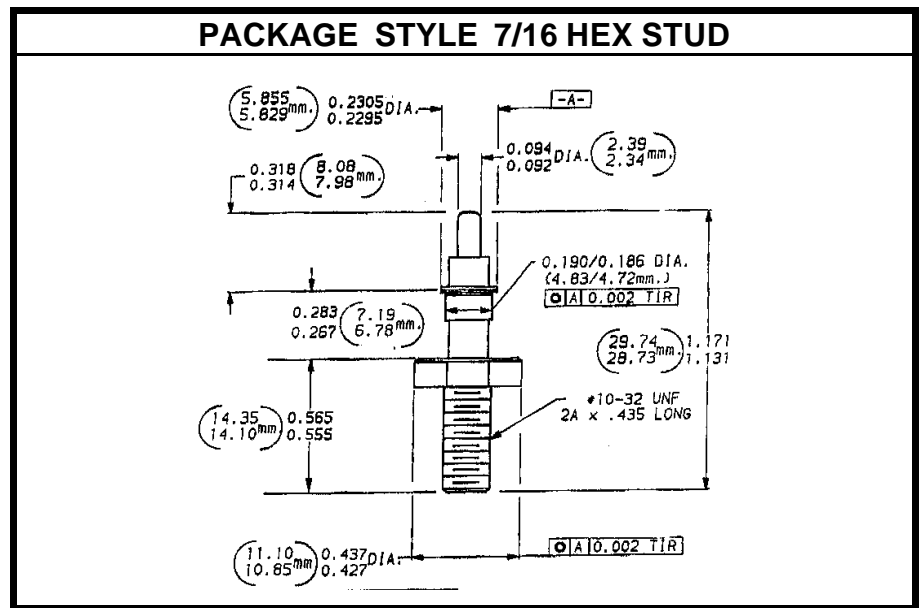
SILICON STEP RECOVERY DIODE

DESCRIPTION:

The **DVB4376-99** is Designed for use in Moderate Power Multiplier Applications, Cathode Connected to Case.

MAXIMUM RATINGS

V	85 V
----------	------


CHARACTERISTICS $T_C = 25^\circ\text{C}$

SYMBOL	TEST CONDITIONS	MINIMUM	TYPICAL	MAXIMUM	UNITS
V_B	$I_R = 10 \mu\text{A}$	85			V
C_t	$V_R = 0 \text{ V}$ $f = 1.0 \text{ MHz}$		12		pF
C_t	$V_R = 6.0 \text{ V}$ $f = 1.0 \text{ MHz}$	8.0		11.5	pF
T_L	MINORITY CARRIER LIFETIME			400	nS