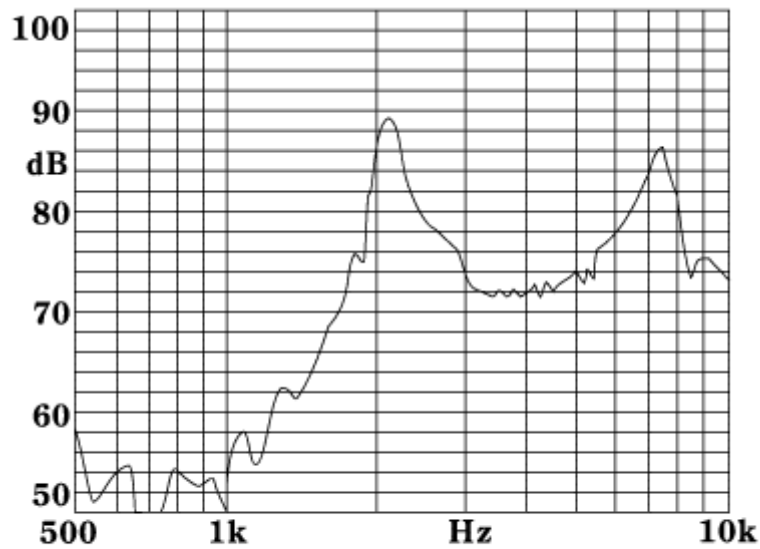
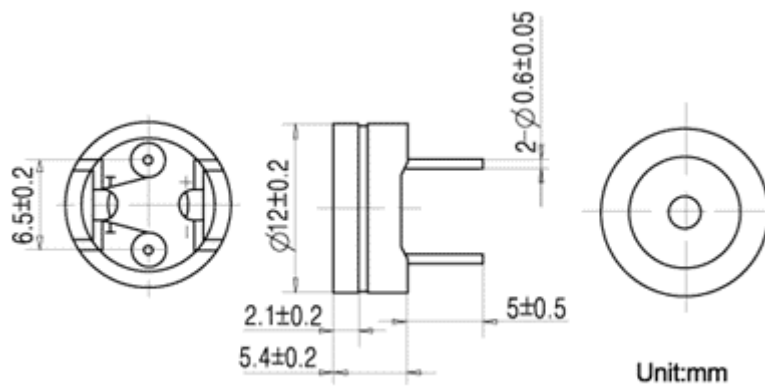




Type	BMT-105A	BMT-105B
Rated Voltage(V)	1.5	
Operating Voltage(V)	1~2	
◆Rated Current(mA)	< 30	< 10
Coil Resistance(Ω)	16 \pm 4	42 \pm 6
◇Coil Impedance(Ω)	40	120
◆Sound Output at 10cm(dB)	> 75	> 70
Resonant Frequency(Hz)	2048	
Operating Temperature($^{\circ}$ C)	-25~+70	
Storage Temperature($^{\circ}$ C)	-30~+85	
Weight(g)	2	

◆ Value applying rated voltage(2048Hz, 1/2 duty, square wave)
 ◇ Value applying(2000Hz, sine wave, measuring current 60 μ A)



Applied voltage: 1.5V, 1/2 duty, square wave
 Distance for measurement: 10cm