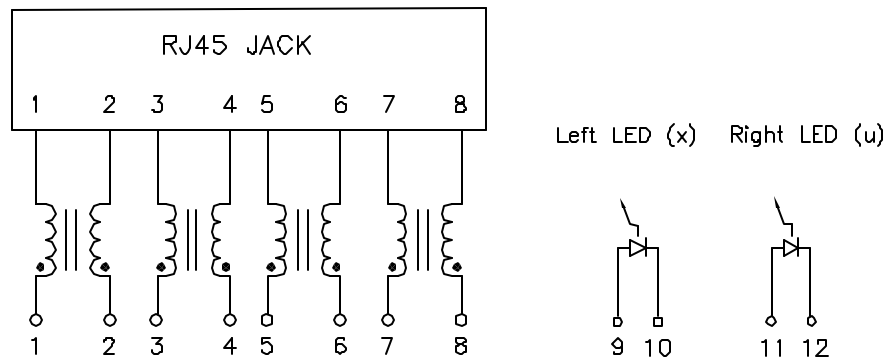


1. Schematic:



2. Electrical Specifications: @25°C

Isolation: 500 Vrms

Turns Ratio: 1:1 each

OCL: 65uH Typical @10KHz 100mV (EACH WINDING)

Q: 12 Min @10KHz 0.1V

DC Resistance: 0.5 Ohms Maximum (EACH WINDING)

CMA: @1.0MHz	8dB Typ	5 Min
	@5.0MHz	17dB Typ 15 Min
	@20MHz	23dB Typ 15 Min
	@70MHz	25dB Typ 20 Min
	@200MHz	22dB Typ 17 Min
	@500MHz	11dB Typ 6 Min

Notes:

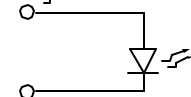
- Solderability: Leads shall meet MIL-STD-202G, Method 208H for solderability.
- Flammability: UL94V-0
- ASTM oxygen Index: > 28%
- Insulation System: Class F 155°C. UL file E151556
- Operating Temperature Range: All listed parameters are to be within tolerance from -40°C to +85°C
- Storage Temperature Range: -55°C to +125°C
- Aqueous wash compatible
- Electrical and mechanical specifications 100% tested
- RoHS Compliant Component

DOC. REV A/1

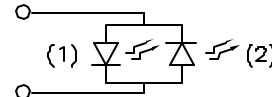
Complete the Combo P/N as follows:

Replace 'x' & 'u' in the part number with one of the LED color letters:
 Y=Yellow 'x' = Left LED Color
 G=Green 'u' = Right LED Color
 A=Amber
 R=Red
 C=Green(1)/Amber(2) Bicolor
 D=Amber(1)/Green(2) Bicolor
 M=Green(1)/Yellow(2) Bicolor
 N=Yellow(1)/Green(2) Bicolor
 P=Red(1)/Green(2) Bicolor
 Q=Green(1)/Red(2) Bicolor
 E=Red(1)/Yellow(2) Bicolor
 F=Yellow(1)/Red(2) Bicolor
 H=Amber(1)/Yellow(2) Bicolor
 J=Green(1)/Green(2) Bicolor

Single Color LED:



Bi-Color LED:

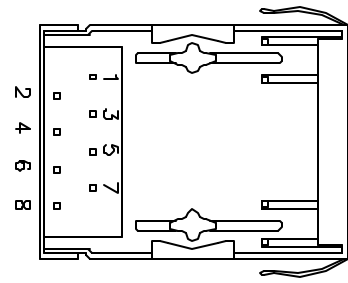
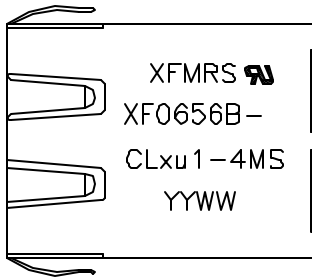


XFMRS Inc.	Title: COMMON MODE GigE SINGLE PORT COMBO		
	UNLESS OTHERWISE SPECIFIED TOLERANCES:		P/N: XF0656B-CLxu1-4MS REV. A
	.xxx ±0.010	DWN.	Mei Chen Jul-20-10
	Dimensions in Inch	CHK.	YK Liao Jul-20-10
SCALE 1.5:1 SHT 1 OF 2	APP.	Joe Huff Jul-20-10	

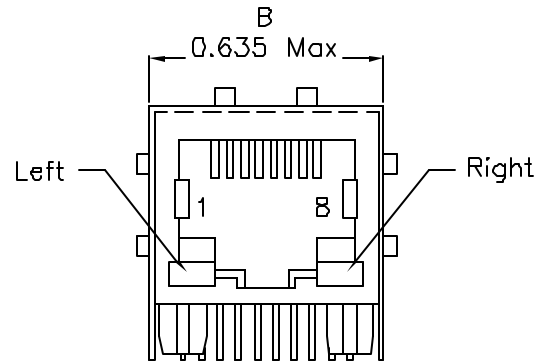
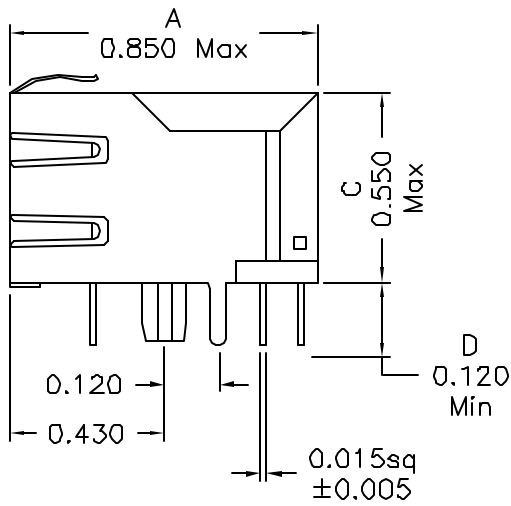
PROPRIETARY:

Document is the property of XFMRS Group & is not allowed to be duplicated without authorization.

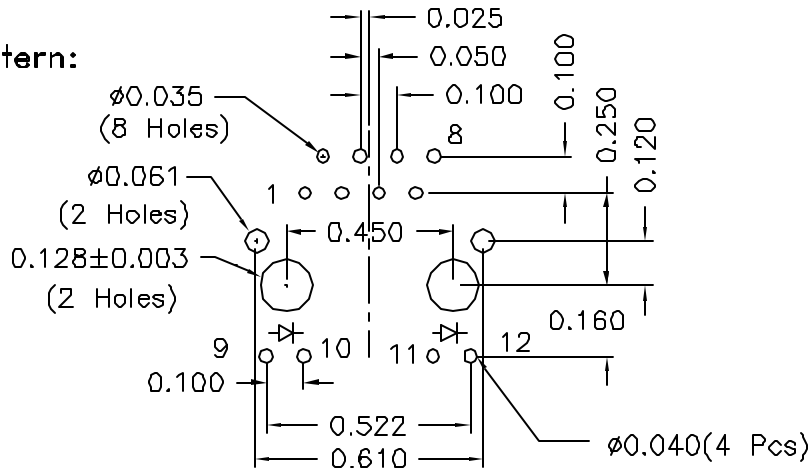
Mechanical Dimensions:



(BOTTOM VIEW)



Mounting Pattern: (COMP SIDE)



DOC REV: A/1

XFMRS Inc.

Title: Mechanical Dimensions
For CLxu1-4MS Series

UNLESS OTHERWISE SPECIFIED
TOLERANCES:
.xxx ±0.010
Dimensions in Inch

P/N: XF0656B-CLxu1-4MS

REV. A

DWN.

Mei Chen

Jul-20-10

CHK.

YK Liao

Jul-20-10

APP.

Joe Huff

Jul-20-10

SHEET 2 OF 2

PROPRIETARY:

Document is the property of XFMRS Group & is not allowed to be duplicated without authorization.