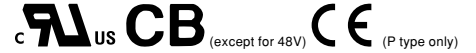




### ■ Features :

- 3 stage charging
- AC 115/230VAC selected by switch
- Built-in passive PFC function compliance to EN61000-3-2 Class A (option)
- Protection: Short circuit / Reverse polarity / Over voltage / Over temperature
- Charger for lead-acid batteries
- 2 color LED loading indicator
- Low cost, High reliability
- FAN on/off control(Depends on charging current)
- 3 years warranty



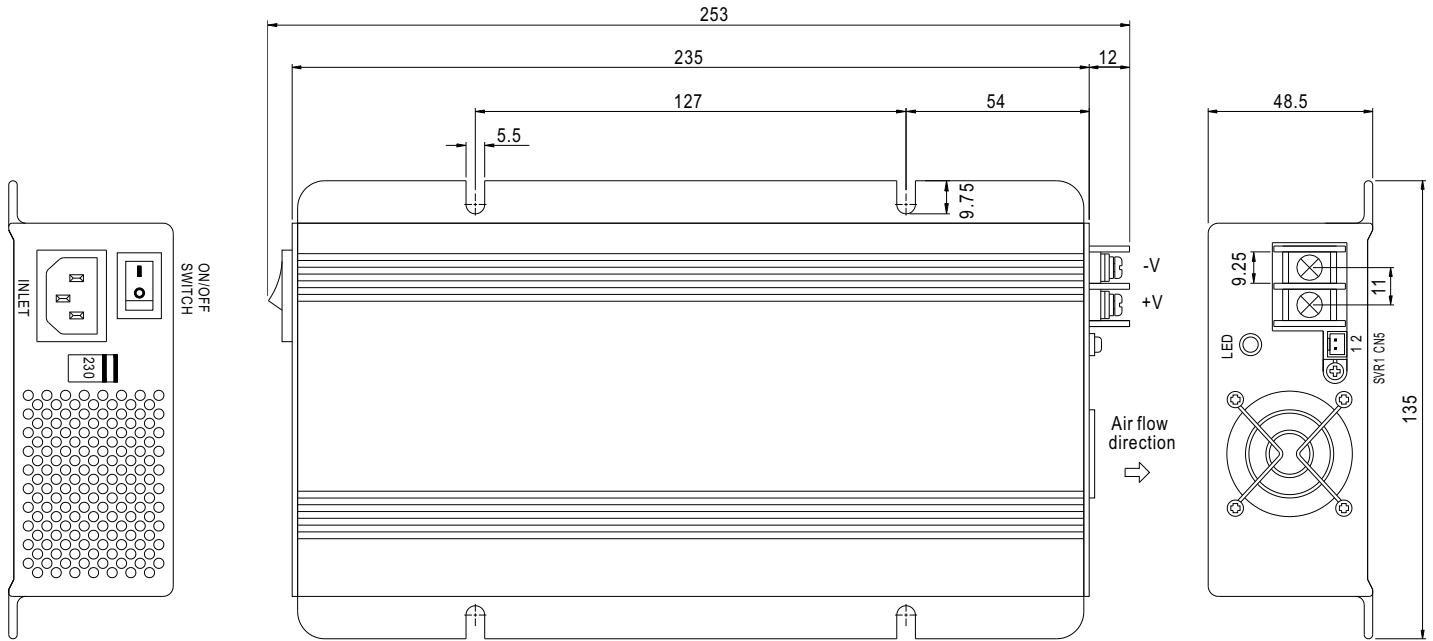
PB - 360 <span style="border: 1px solid black; padding: 2px;">P</span> - 12		
P:With Passive PFC	N:Without Passive PFC	<b>12:14.4V</b> <b>24:28.8V</b> <b>48:57.6V</b>

### SPECIFICATION

MODEL	PB-360□-12	PB-360□-24	PB-360□-48	
OUTPUT	<b>BOOST CHARGE VOLTAGE</b>	14.4V	28.8V	57.6V
	<b>FLOAT CHARGE VOLTAGE</b>	13.6V	27.2V	54.4V
	<b>VOLTAGE ADJUSTABLE RANGE</b>	13 ~ 14.7V	26 ~ 28.8V	52 ~ 58.6V
	<b>RECOMMENDED BATTERY CAPACITY(AMP HOURS) Note 5</b>	80 ~ 240Ah	40 ~ 125Ah	20 ~ 65Ah
	<b>BATTERY TYPE</b>	Open & Sealed Lead Acid		
	<b>OUTPUT CURRENT (Typ.) Note 6</b>	24.3A	12.5A	6.25A
INPUT	<b>VOLTAGE RANGE</b>	90 ~ 132VAC / 180 ~ 264VAC selected by switch		127 ~ 187VDC / 254 ~ 370VDC
	<b>FREQUENCY RANGE</b>	47 ~ 63Hz		
	<b>EFFICIENCY (Typ.)</b>	85%	86%	87%
	<b>POWER FACTOR (Typ.)</b>	>0.65 (with P type) at 230VAC		
	<b>AC CURRENT (Typ.)</b>	7A/115VAC	3.5A/230VAC	
	<b>INRUSH CURRENT (Typ.)</b>	COLD START 60A		
	<b>LEAKAGE CURRENT</b>	<3.5mA / 240VAC		
PROTECTION	<b>SHORT CIRCUIT</b>	O/P Built in fuse (FS100) to protect short circuit condition, shut down o/p voltage and can not re-power on		
	<b>REVERSE POLARITY</b>	By internal fuse		
	<b>OVER VOLTAGE</b>	16 ~ 18V	31 ~ 35V	59 ~ 64V
	<b>OVER TEMPERATURE</b>	Protection type : Automatically derate charge current until zero		
FUNCTION	<b>REMOTE CONTROL (CN5)</b>	Open: Normal work    Short: Stop Charging		
ENVIRONMENT	<b>WORKING TEMP.</b>	-20 ~ +60°C (Refer to output load derating curve)		
	<b>WORKING HUMIDITY</b>	20 ~ 90% RH non-condensing		
	<b>STORAGE TEMP., HUMIDITY</b>	-40 ~ +85°C, 10 ~ 95% RH		
	<b>TEMP. COEFFICIENT</b>	±0.05%/°C (0 ~ 45°C)		
	<b>VIBRATION</b>	10 ~ 500Hz, 2G 10min./1cycle, 60min. each along X, Y, Z axes		
SAFETY & EMC (Note 4)	<b>SAFETY STANDARDS</b>	IEC60335-2-29 CB approved by TUV(except for 48V), UL60950-1 approved		
	<b>WITHSTAND VOLTAGE</b>	I/P-O/P:3KVAC	I/P-FG:1.5KVAC	O/P-FG:0.5KVAC
	<b>ISOLATION RESISTANCE</b>	I/P-O/P, I/P-FG, O/P-FG:100M Ohms / 500VDC / 25°C / 70% RH		
	<b>EMI CONDUCTION &amp; RADIATION</b>	Compliance to EN55022 (CISPR22) Class B		
	<b>HARMONIC CURRENT</b>	Compliance to EN61000-3-2, -3 (only P type)		
OTHERS	<b>EMS IMMUNITY</b>	Compliance to EN61000-4-2,3,4,5,6,8,11; ENV50204, EN55024, light industry level, criteria A		
	<b>MTBF</b>	115.8Khrs min.    MIL-HDBK-217F (25°C)		
	<b>DIMENSION</b>	253*135*48.5mm(L*W*H)		
	<b>PACKING</b>	1.5Kg; 6pcs/10Kg/0.95CUFT		
NOTE	1. All parameters NOT specially mentioned are measured at 230VAC input, rated load and 25°C of ambient temperature. 2. Ripple & noise are measured at 20MHz of bandwidth by using a 12" twisted pair-wire terminated with a 0.1uf & 47uf parallel capacitor. 3. Tolerance : includes set up tolerance, line regulation and load regulation. 4. The power supply is considered a component which will be installed into a final equipment. The final equipment must be re-confirmed that it still meets EMC directives. 5. This is Mean Well's suggested range. Please consult your battery manufacturer for their suggestions about maximum charging current limitation. 6. Maximum charging current will be in the range of 90~110% rated output current.			

**Mechanical Specification**

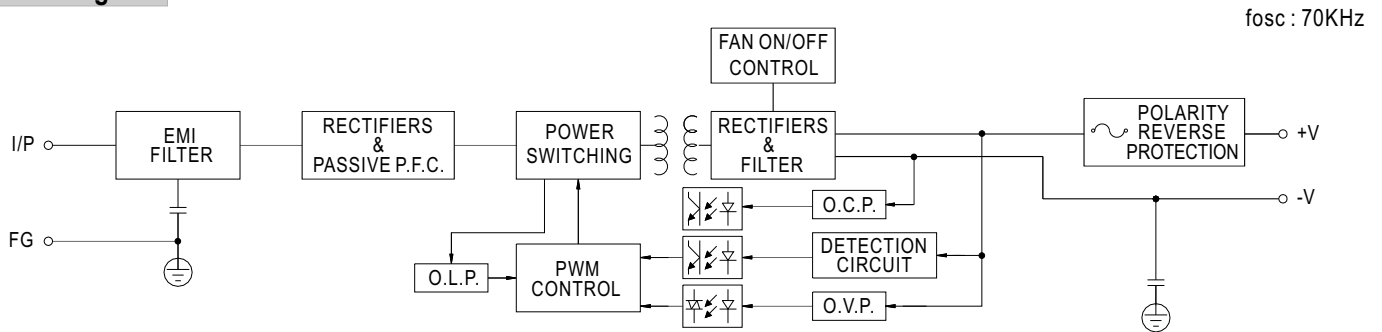
Case No.801A Unit:mm



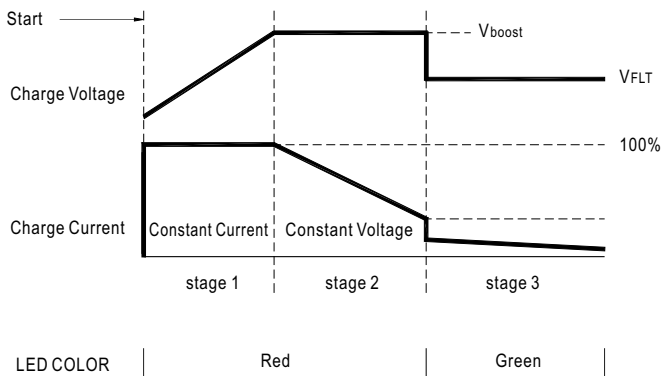
Remote Control(CN5) : JST B2B-XH or equivalent

Assignment	Mating Housing	Terminal
PIN1,2 Open: Normal work	JST XHP or equivalent	JST SXH-001T-P0.6 or equivalent
PIN1,2 Short: Stop Charging		

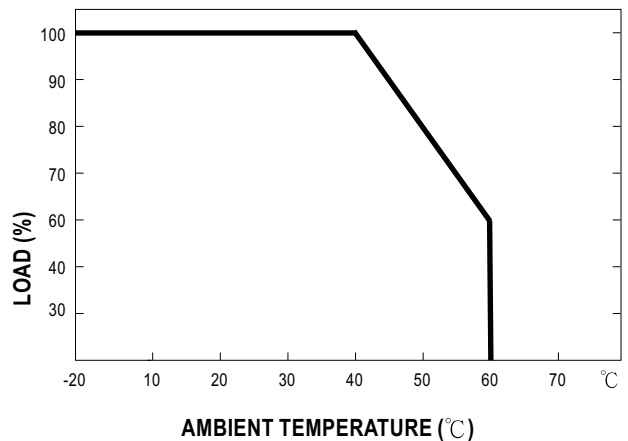
**Block Diagram**



**Charging Curve**



**Output Load VS Temperature**



State	PB-360-12	PB-360-24	PB-360-48
Vboost	14.4V	28.8V	57.6V
VFLT	13.6V	27.2V	54.4V