

“LAN-MATE” SERIES

SINGLE RJ45 CONNECTOR MODULE WITH INTEGRATED 10 BASE T MAGNETICS

P/N: LT1S023

Page : 1/2

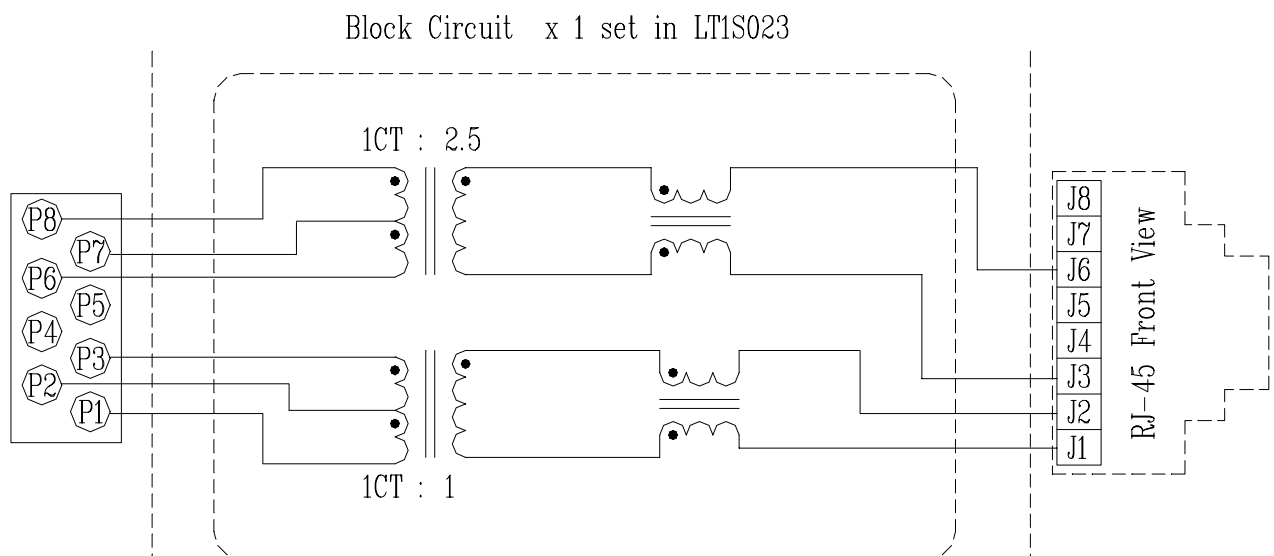
A. General Specifications

1. RJ-45 connector integrated with X'FMR.
2. Size same as RJ-45 connector to save PCB Board space.
3. Reduce EMI radiation, improve EMI performance.
4. Complies with IEEE802.3 standards
5. Operating temperature range : 0°C to +70°C.

B. Electrical Specifications@25°C:

1. Turn Ratio: P1-P3:J1-J2=1CT:1 & P6-P8:J3-J6=1CT:2.5
2. Primary OCL Inductance: 200μH Min. @100KHz/ 0.2V
3. Leakage Inductance : 0.5μH Max
4. Inter winding Capacitance: 20pF Max.
5. HI-POT Isolation: 1500 Vrms

C. Schematic:



Prepared :Luo Ming Li

Checked by: Xu Wenbing

Approved : Alexander Wu

Drawing no.: Pulse Transformer

REV.:A2

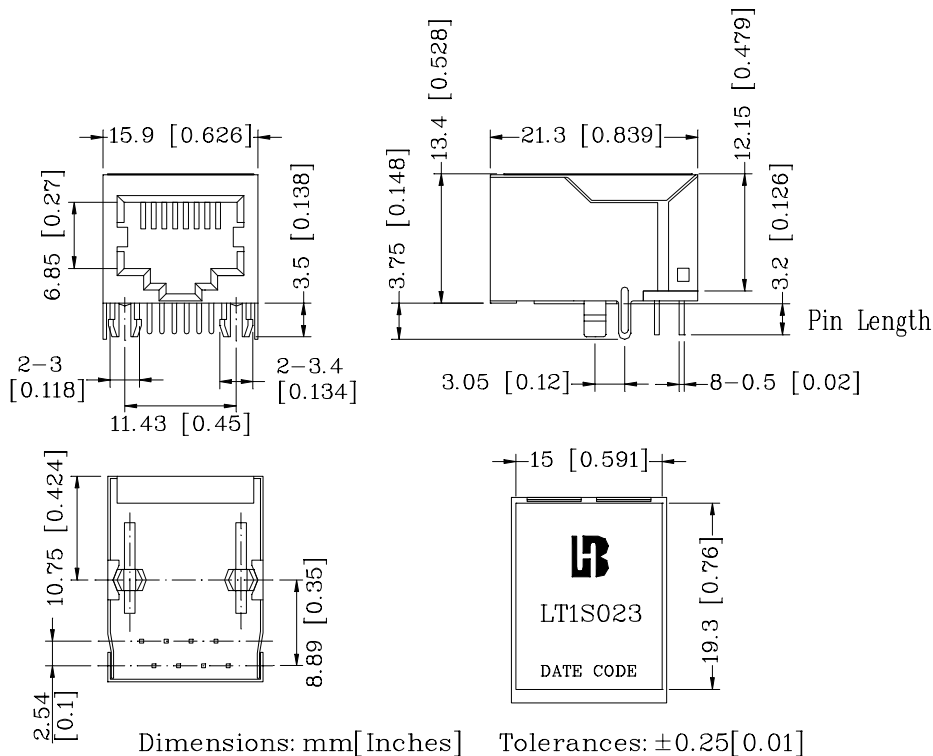
Date : 2001/08/07

“LAN-MATE” SERIES

SINGLE RJ45 CONNECTOR MODULE WITH INTEGRATED 10 BASE T MAGNETICS

P/N: LT1S023

D. Mechanical:



1. Plastic Material : PBT 15% Glass Filled (UL 94V-0) , Black Housing
2. Metal Shield : Brass C2680-H, 20u Nickle Plated, t=0.25mm
3. Spring Wire : 0.45mm Dia. Phosphor bronze with 6u gold plated .
4. Solder Pin : 0.4x0.4mm ,Phosphor bronze with Solder plated
5. Durability : 300 Mating cycles Min .

E. PCB Layout Mounting Hole (Top View)

