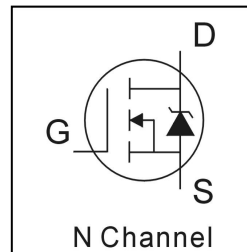


N Channel High Voltage, Power MOSFET

Chip Specification

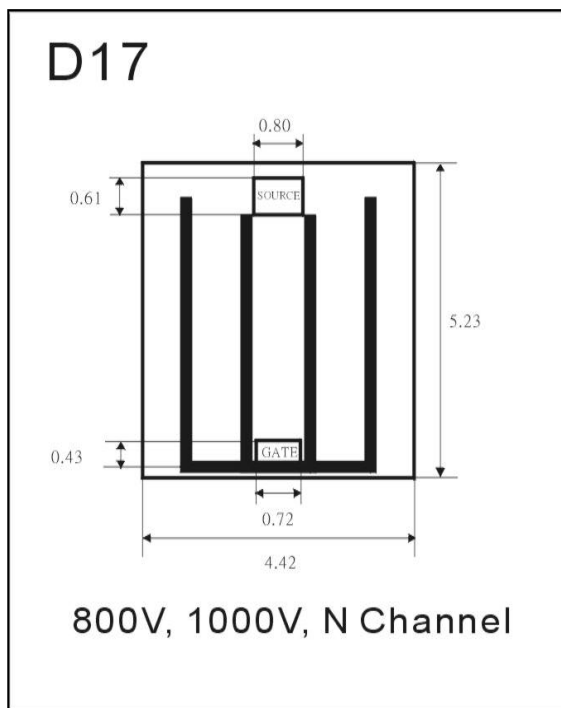
General Description:

- * Advanced Process Technology
- * Dynamic dV/dt Rating
- * **150°C Operating Temperature**
- * **Fast Switching**
- * **Fully Avalanche Rated**
- * **High Breakdown Voltage**



Mechanical Data:

D17	
Dimension	4.42mm x 5.23mm
Thickness:	480 μm
Metallization:	
Top :	Al
Backside :	CrNiAg / Au
Suggested Bonding Conditions:	
Die Mounting:	Solder Perform
95/5 PbSn or 92.5/2.5/5 PbAgIn	
Source Bonding Wire:	10 mil Al



Absolute Maximum Rating

@Ta=25°C

Characteristics	Symbol	Limit	Unit	Test Conditions
Drain-to-Source Breakdown Voltage	V(BR)DSS	900	V	VGS=0V, ID=250μA
Static Drain-to - Source On-resistance	RDS(ON)	4	Ω	VGS=10V, ID=2.2A
Continuous Drain current (in target package)	ID@25°C	3.6	A	VGS=10V
Continuous Drain current (in target package)	ID@100°C	2.3	A	VGS=10V
Operation Junction	Tj	-55~175	°C	
Storage Temperature	TSTR	-55~175	°C	

Target Device: IRFBF30

TO-220AB

Pd

125

W

@Tc=25°C

