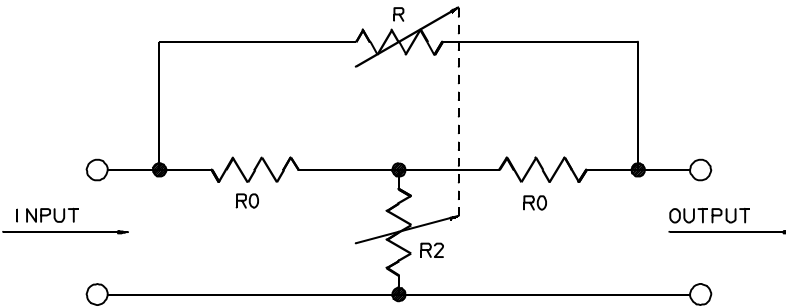


AR & ARM Series VARIABLE ATTENUATORS, MANUAL

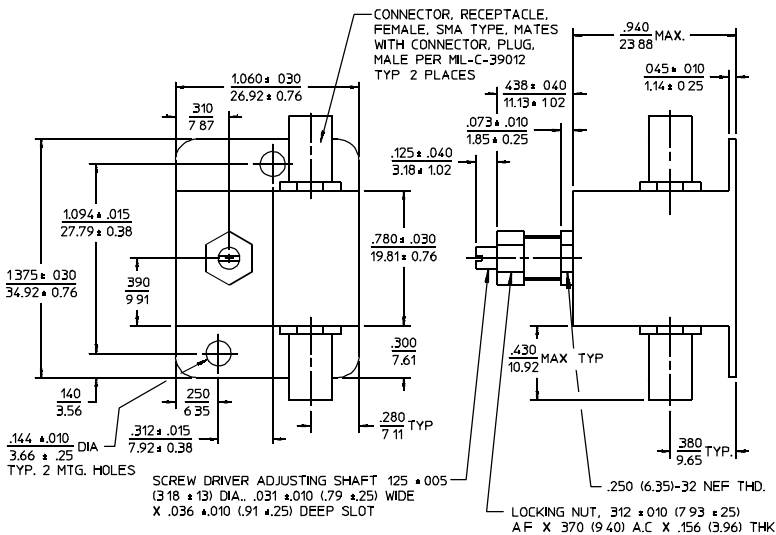
DC to 400 MHz / 20 dB Attenuation Range / Broadband / SMA or BNC Connectors



PRINCIPAL SPECIFICATIONS

Model Number	Mechanical Configuration	Frequency Range, MHz	Performance Bandwidth, MHz	Attenuation Range, dB, Min.	Insertion Loss, dB, Max.	VSWR, Max.	CW Power, W	Weight, oz (g), Nom.
AR-1	Screw Drive/Lock BNC Female	DC - 100	DC - 10 DC - 100	0 - 20 0 - 15	0.7 1.25	1.5:1 1.5:1	1	8 (228)
AR-2	Knob Drive/Lock BNC Female	DC - 100	DC - 10 DC - 100	0 - 20 0 - 15	0.7 1.25	1.5:1 1.5:1	1	5.5 (156)
ARM-1	Screw Drive/Lock SMA Female	DC - 400	DC - 50 DC - 200 DC - 400	0 - 20 0 - 13 0 - 8	1.0 1.5 2.5	1.5:1 1.8:1 2.2:1	0.5	1.4 (40)

ARM-1 Package Outline

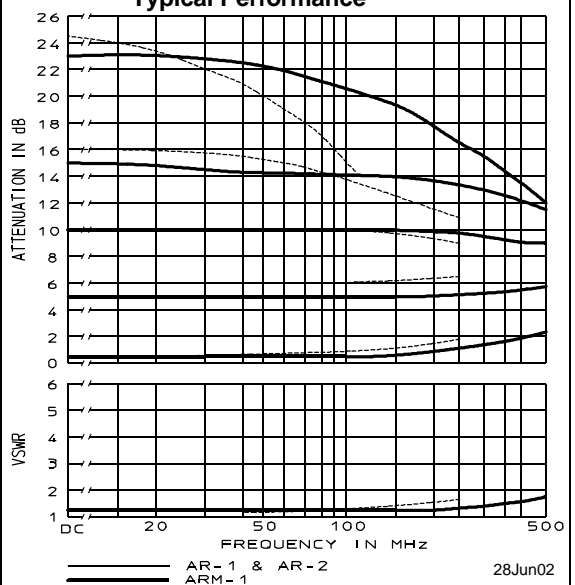


NOTES: 1. Tolerance on 3 place decimals ±.020(.51) except as noted.
2. Dimensions in inches over millimeters.

GENERAL SPECIFICATIONS

Resetability (Granularity): 0.2 dB typ.
Impedance: 50 Ω nom.

Typical Performance

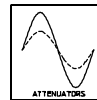


General Note: The AR/ARM series are continuously variable attenuators utilizing compensated Bridged Tee networks to vary signal power. They have the advantage of being very broadband and constant in impedance. Each is designed for high reliability and can be supplied screened to meet specific applications.

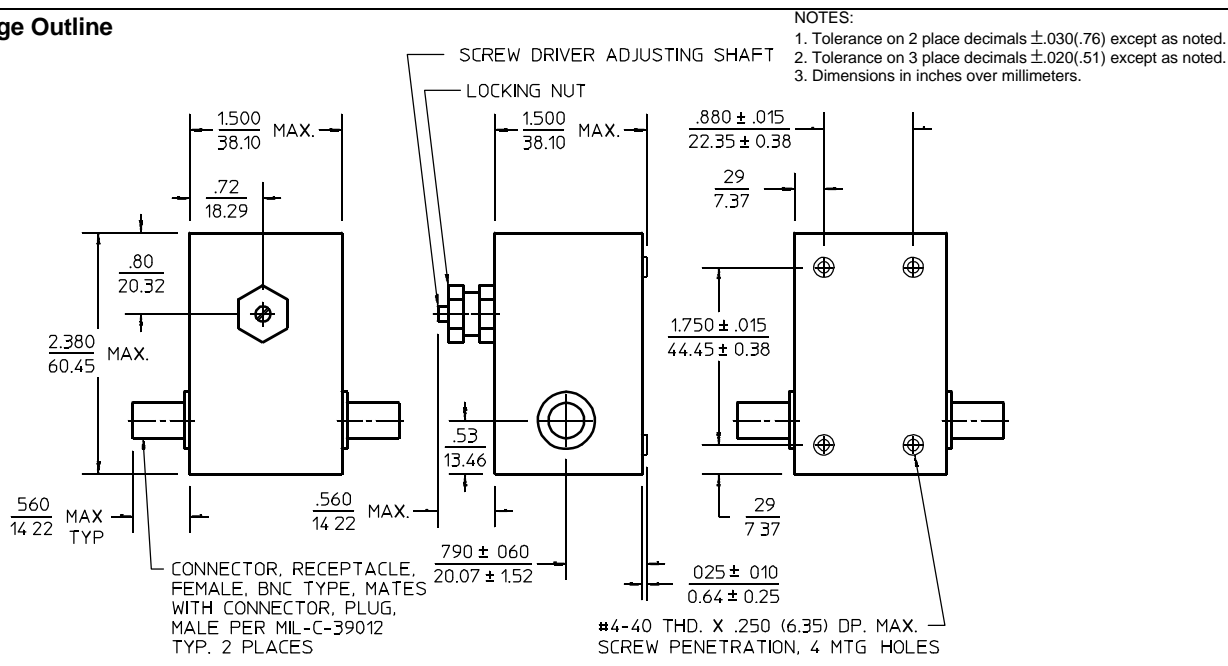
For further information contact **MERRIMAC / 41 Fairfield Pl., West Caldwell, NJ, 07006 / 973-575-1300 / FAX 973-575-0531**

AR & ARM Series VARIABLE ATTENUATORS, MANUAL

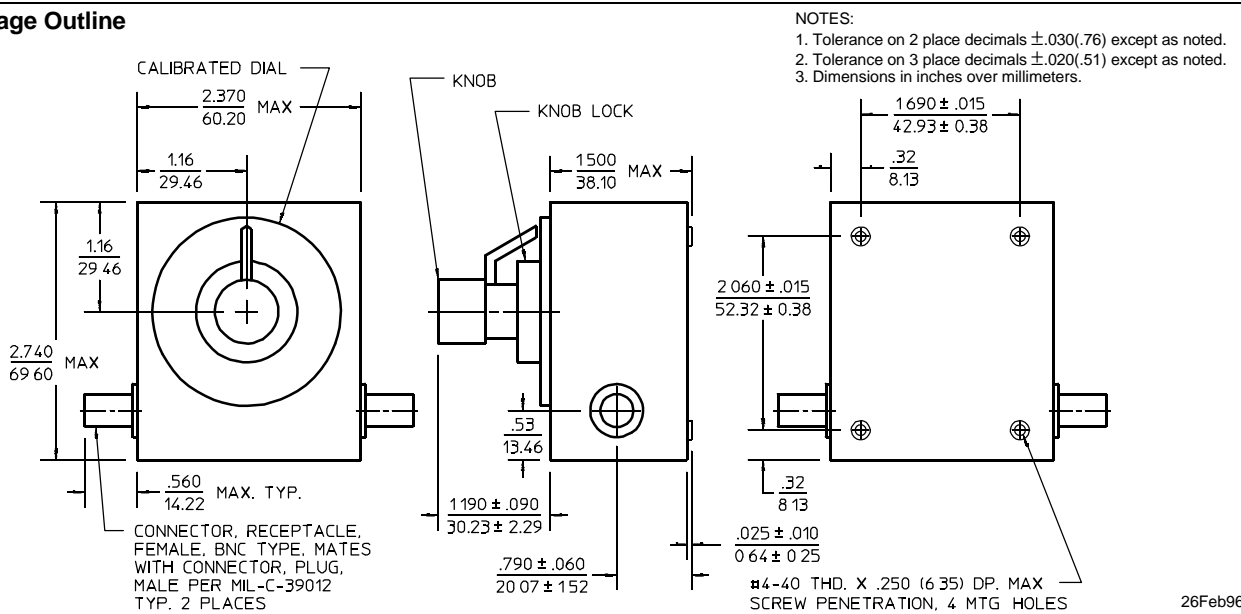
DC to 400 MHz / 20 dB Attenuation Range / Broadband / SMA or BNC Connectors



AR-1 Package Outline



AR-2 Package Outline



26Feb96