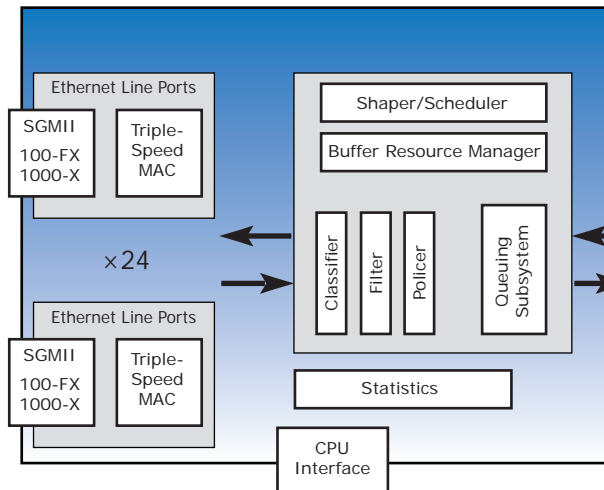


## BLOCK DIAGRAM:



### FEATURES:

- ▶ Supports full line rate (24G)
- ▶ Expandable to 48 triple-speed ports
- ▶ SPI-4.2 or XAUI host interface provides seamless connection to a variety of 10G and next-generation 20G/40G packet processors
- ▶ 10/100/1000M and 10G line ports reduce the number of components needed to build high-density line cards
- ▶ 2:1 and 4:1 oversubscription eliminates unused bandwidth at the client interface and fully utilizes shared network services processor
- ▶ Connects directly to 1G copper PHYs, 100M/1G optical SFP modules, and 10G XENPAK/X2 optical modules
- ▶ Advanced Quality of Service (QoS) guarantees delivery of differentiated services
- ▶ Full RMON 1 statistics and applicable IEEE-802.3 and SNMP statistics provide extensive support for performance monitoring and billing

### KEY SPECIFICATIONS:

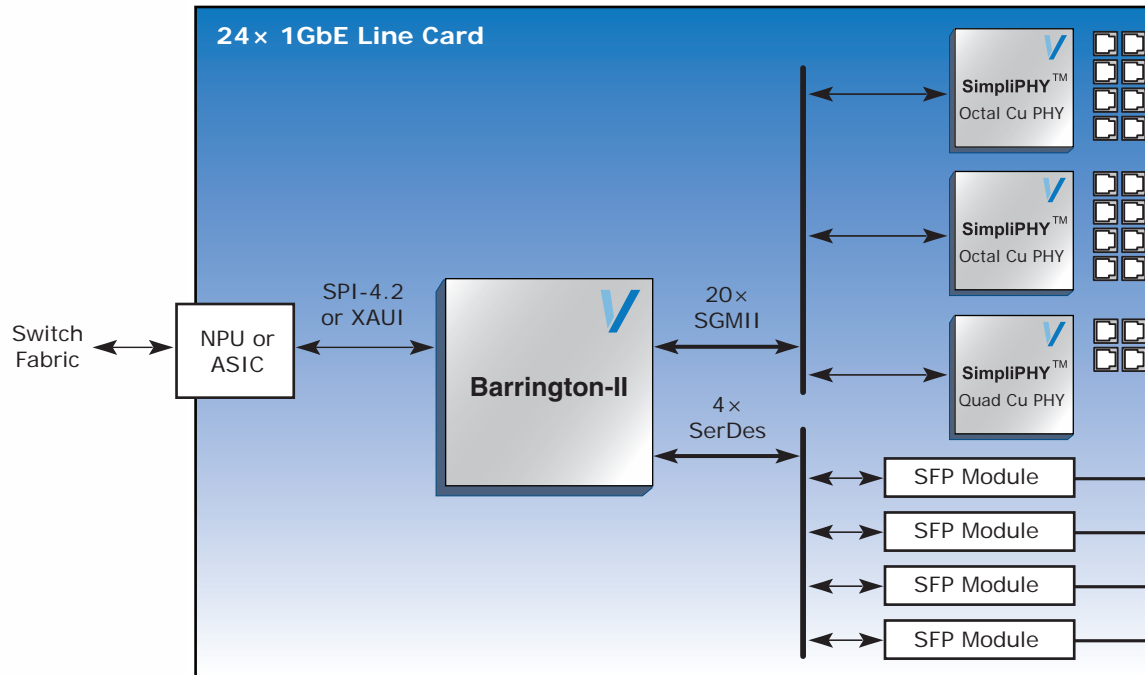
- ▶ 1.2 V core power supply
- ▶ 1.8 V and 2.5 V interface power supply
- ▶ 10 W power dissipation
- ▶ 27 mm × 27 mm, 672-pin, flip chip ball grid array (FCBGA) package

VSC7344  
VSC7346

serializers/deserializers. The host interface can be configured as SPI-4.2, one XAUI, or two XAUI interfaces. Each SPI-4.2 and XAUI host interface uses a SPI-4.2 status channel for flow control. To support the high oversubscription factor, the Barrington-II has a set of advanced QoS features.

In addition to Barrington-II, Vitesse offers Sch... advanced Ethernet MAC containing 12 10/100/1... the same features and functionality as Barrington-II

#### APPLICATION DIAGRAM:



#### APPLICATIONS:

- ▶ Ethernet L2/L3 switches and routers
- ▶ Ethernet aggregation
- ▶ Ethernet over SONET
- ▶ Ethernet over DWDM
- ▶ Security appliances
- ▶ Storage networks

#### Trademarks™

Vitesse, ASIC-Friendly, FibreTimer, TimeStream, Snoop Loop, Super FEC, FOCUSConnect, Meigs-II, Meigs-IIe, Lansing, Campbell-I, Barrington, PaceMaker, HOVCAT48, HOVCAT48e, HOVCAT192, HOVCAT192e, Micro PHY, FOCUS32, FOCUS16, IQ2200, NexSAS, VersaCAT, GigaStream, HawX, SparX, StaX, VstaX, SimpliPHY, VeriPHY, ActiPHY, XFP PRO, SFP PRO, Smart-LINK, OctalMAC, EQ Technology are trademarks in the United States and/or other jurisdictions of Vitesse Semiconductor Corporation. All other trademarks or registered trademarks mentioned herein are the property of their respective holders.

#### Copyright © 2007

Vitesse Semiconductor Corporation ("Vitesse") retains the right to make changes to its products or specifications to improve performance, reliability or manufacturability. All information in this document, including descriptions of features, functions, performance, technical specifications and availability, is subject to change without notice at any time. While the information furnished herein is held to be accurate and reliable, no responsibility will be assumed by Vitesse for its use. Furthermore, the information contained herein does not convey to the purchaser of microelectronic devices any license under the patent right of any manufacturer.

741  
Cam  
Tel:  
Fax:  
www  
sales