

PLEASE CHECK WWW.MOLEX.COM FOR LATEST PART INFORMATION

Part Number: **0462070006**
Status: **Active**
Description: 4.20mm (.165") Pitch Mini-Fit RTC™ Reflow High Temperature Compatible Header, Dual Row, Vertical, 6 Circuits, 1.57mm (.062") PCB Thickness, with PCB Pegs, LCP Housing, with Tin (Sn) Over Nickel (Ni) Plating

Documents:

[3D Model](#) [Product Specification PS-46207-001 \(PDF\)](#)
[Drawing \(PDF\)](#) [RoHS Certificate of Compliance \(PDF\)](#)

Agency Certification

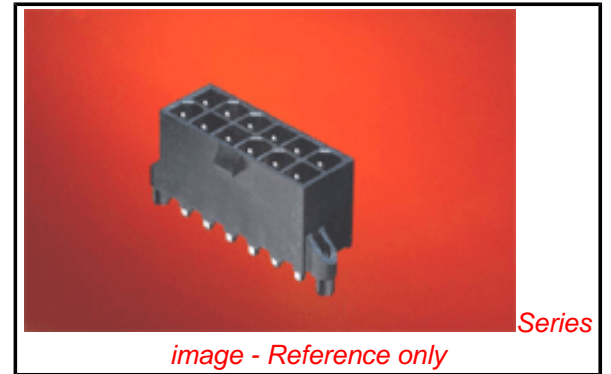
CSA LR19980
 UL E29179

General

Product Family PCB Headers
 Series [46207](#)
 Application Board-to-Board, Wire-to-Board
 Comments Current = 13A max. per circuit when header is mated to a receptacle loaded with [45750](#) Mini-Fit Plus HCS™ Crimp Terminal Crimped to to 16 AWG wire. . See Molex product specification PS-45750-001 for additional current de-rating information.
 MolexKits Yes
 Product Name Mini-Fit RTC™

Physical

Breakaway No
 Circuits (Loaded) 6
 Circuits (maximum) 6
 Color - Resin Black
 Durability (mating cycles max) 75
 First Mate / Last Break No
 Flammability 94V-0
 Glow-Wire Compliant No
 Guide to Mating Part No
 Keying to Mating Part None
 Lock to Mating Part Yes
 Material - Metal Brass
 Material - Plating Mating Tin
 Material - Plating Termination Nickel
 Material - Resin High Temperature Thermoplastic
 Number of Rows 2
 Orientation Vertical
 PC Tail Length (in) 0.144 In
 PC Tail Length (mm) 3.66 mm
 PCB Locator Yes
 PCB Retention Yes
 PCB Thickness Recommended (in) 0.062 In
 PCB Thickness Recommended (mm) 1.57 mm
 Packaging Type Tray
 Pitch - Mating Interface (in) 0.165 In
 Pitch - Mating Interface (mm) 4.20 mm
 Pitch - Term. Interface (in) 0.165 In
 Pitch - Term. Interface (mm) 4.20 mm
 Polarized to Mating Part Yes



EU RoHS

ELV and RoHS Compliant
REACH SVHC Contains SVHC: No
Halogen-Free Status
Halogen-Free

China RoHS



Need more information on product environmental compliance?

Email productcompliance@molex.com
 For a multiple part number RoHS Certificate of Compliance, [click here](#)

Please visit the [Contact Us](#) section for any non-product compliance questions.

Search Parts in this Series

[46207Series](#)

Mates With

[45750](#) , [5557](#) Mini Fit Jr.™ Receptacle

Polarized to PCB	Yes
Shrouded	Fully
Stackable	No
Surface Mount Compatible (SMC)	Yes
Temperature Range - Operating	-40°C to +105°C
Termination Interface: Style	Through Hole

Electrical

Current - Maximum per Contact	13A
Voltage - Maximum	600V AC (RMS)/DC

Solder Process Data

Duration at Max. Process Temperature (seconds)	30
Lead-free Process Capability	SMC & Wave Capable (TH only)
Max. Cycles at Max. Process Temperature	3
Process Temperature max. C	260

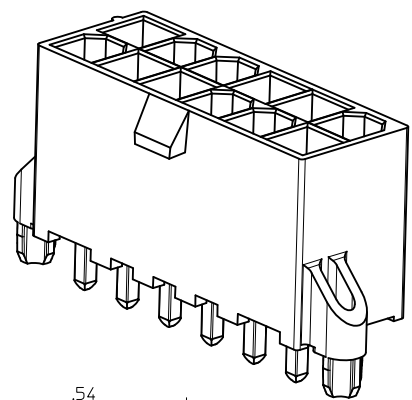
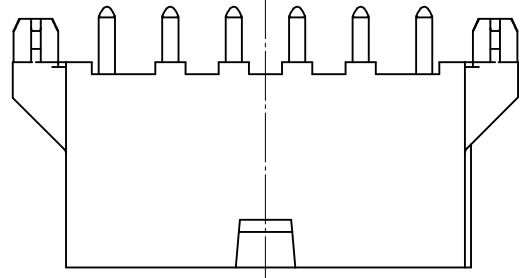
Material Info

Reference - Drawing Numbers

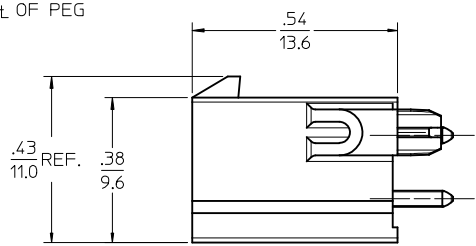
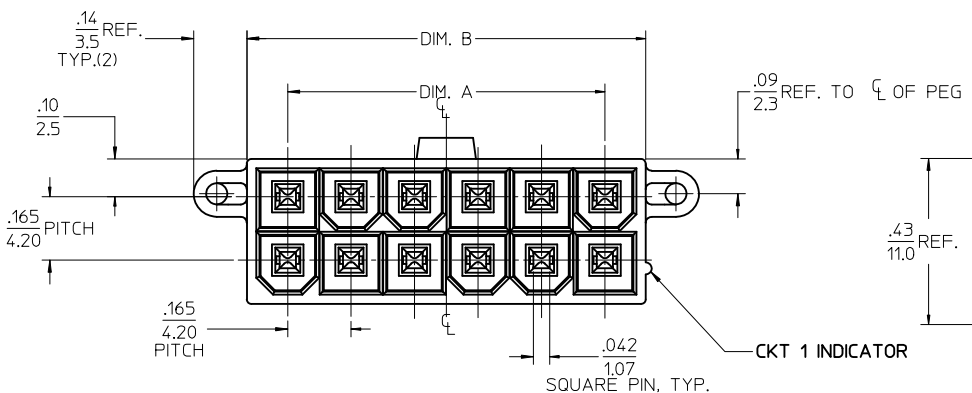
Packaging Specification	PK-46207-001
Product Specification	PS-46207-001
Sales Drawing	SD-46207-001

This document was generated on 06/07/2010

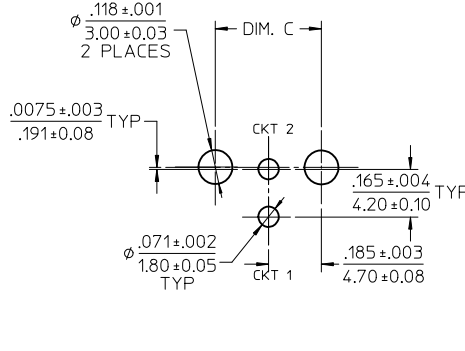
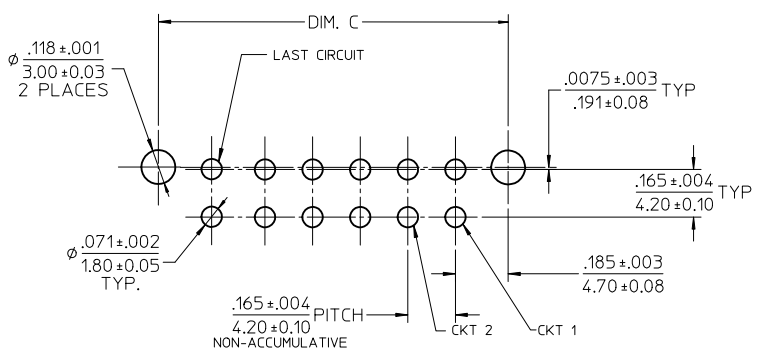
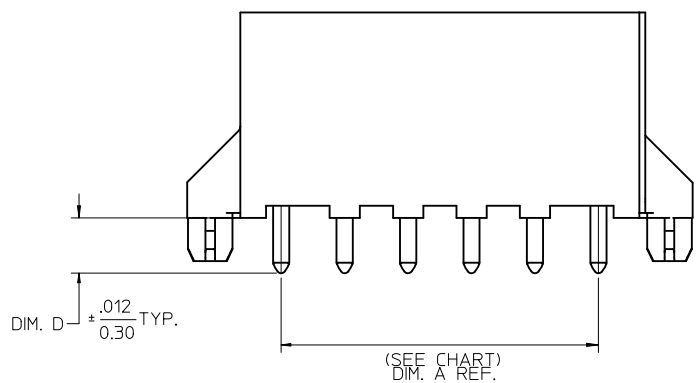
PLEASE CHECK WWW.MOLEX.COM FOR LATEST PART INFORMATION



CIRCUIT SIZE	DIM. A	DIM. B	DIM. C
02	NA	0.21/5.4	0.37/9.4
04	0.165/4.20	0.38/9.6	0.535/13.60
06	0.331/8.40	0.54/13.8	0.701/17.80
08	0.496/12.60	0.71/18.0	0.866/22.00
10	0.661/16.80	0.87/22.2	1.031/26.20
12	0.827/21.00	1.04/26.4	1.197/30.40
14	0.992/25.20	1.21/30.6	1.362/34.60
16	1.160/29.40	1.37/34.8	1.528/38.80
18	1.323/33.60	1.54/39.0	1.693/43.00
20	1.488/37.80	1.70/43.2	1.858/47.20
22	1.654/42.00	1.87/47.4	2.024/51.40
24	1.819/46.20	2.03/51.6	2.189/55.60



ISOMETRIC VIEW
(12 CKT - SHOWN)



LAYOUT FOR
4-24 CIRCUIT

LAYOUT FOR
2 CIRCUIT

NOTES:

- MATERIALS:
HOUSING - LIQUID CRYSTAL POLYMER (LCP), COLOR: BLACK
TERMINAL - BRASS ALLOY C26000
- TERMINAL PLATING:
TIN= .000100/0.00254 MIN MATTE TIN OVER
.000050/0.00127 MIN NICKEL OVERALL
GOLD= .000030/0.00076 MIN. SELECT GOLD OVER
.000100/0.00254 MIN. SELECT MATTE TIN OVER
.000050/0.00127 MIN NICKEL OVERALL
- PRODUCT SPECIFICATION: PS-46207-001
- PACKAGING SPECIFICATION: TRAY PACK PER PK-46207-001
TAPE AND REEL PACK PER PK-46207-002
- PART CONFORMS TO CLASS "B" REQUIREMENTS OF COSMETIC SPECIFICATION PS-45499-002.

RECOMMENDED PCB HOLE LAYOUT COMPONENT SIDE
(SCALE 3:1)

ADDED GOLD PN EC NO: UCP2010-1779 DRWN: JAGUILAR 2010/01/26 CHKD: BELL 2010/02/22 APPR: FSMTH 2010/02/22 D4	QUALITY SYMBOLS ∇=0 ∇=0 ∇=0	GENERAL TOLERANCES (UNLESS SPECIFIED)		DIMENSION STYLE IN/MM	SCALE 4:1	DESIGN UNITS METRIC	THIRD ANGLE PROJECTION
		4 PLACES ± --- ± --- 3 PLACES ± --- ± .005 2 PLACES ± 0.13 ± .010 1 PLACE ± 0.25 ± --- ANGULAR ±1/2°	DRAWN BY DROSCA 08/07/2006	DATE 08/07/2006	MINI-FIT RTC HI-TEMP VERTICAL HEADER IN LCP, W/PCB PEGS		
		DRAFT WHERE APPLICABLE MUST REMAIN WITHIN DIMENSIONS	CHECKED BY BWIRKUS 08/07/2006	DATE 08/07/2006	MOLEX INCORPORATED		
		SEE TABLE	APPROVED BY BWIRKUS 08/07/2006	DATE 08/07/2006	MATERIAL NO. SD-46207-001	DOCUMENT NO.	SHEET NO. 1 OF 2

THIS DRAWING CONTAINS INFORMATION THAT IS PROPRIETARY TO MOLEX INCORPORATED AND SHOULD NOT BE USED WITHOUT WRITTEN PERMISSION

GOLD PLATING					
CIRCUIT SIZE	TAPE & REEL MATERIAL NUMBER	TRAY PACKED MATERIAL NUMBER	DIM. D	PCB THICKNESS	
02	462077002 *	462075002 *	0.144/3.66	0.062	
04	462077004 *	462075004 *	0.144/3.66	0.062	
06	462077006 *	462075006 *	0.144/3.66	0.062	
08	462077008 *	462075008 *	0.144/3.66	0.062	
10	462077010 *	462075010 *	0.144/3.66	0.062	
12	462077012 *	462075012 *	0.144/3.66	0.062	
14	462077014 *	462075014 *	0.144/3.66	0.062	
16	462077016 *	462075016 *	0.144/3.66	0.062	
18	462077018 *	462075018 *	0.144/3.66	0.062	
20	462077020 *	462075020 *	0.144/3.66	0.062	
22	462077022 *	462075022 *	0.144/3.66	0.062	
24	462077024 *	462075024 *	0.144/3.66	0.062	
02					
04					
06					
08					
10					
12					
14					
16					
18					
20					
22					
24					

TIN PLATING					
CIRCUIT SIZE	TAPE & REEL MATERIAL NUMBER	TRAY PACKED MATERIAL NUMBER	DIM. D	PCB THICKNESS	
02	462073002 *	462070002 *	0.144/3.66	0.062	
04	462073004 *	462070004 *	0.144/3.66	0.062	
06	462073006 *	462070006 *	0.144/3.66	0.062	
08	462073008 *	462070008 *	0.144/3.66	0.062	
10	462073010 *	462070010 *	0.144/3.66	0.062	
12	462073012 *	462070012 *	0.144/3.66	0.062	
14	462073014 *	462070014 *	0.144/3.66	0.062	
16	462073016 *	462070016 *	0.144/3.66	0.062	
18	462073018 *	462070018 *	0.144/3.66	0.062	
20	462073020 *	462070020 *	0.144/3.66	0.062	
22	462073022 *	462070022 *	0.144/3.66	0.062	
24	462073024 *	462070024 *	0.144/3.66	0.062	
02		462070102 *	0.176/4.46	0.093	
04		462070104 *	0.176/4.46	0.093	
06		462070106 *	0.176/4.46	0.093	
08		462070108 *	0.176/4.46	0.093	
10		462070110 *	0.176/4.46	0.093	
12		462070112 *	0.176/4.46	0.093	
14		462070114 *	0.176/4.46	0.093	
16		462070116 *	0.176/4.46	0.093	
18		462070118 *	0.176/4.46	0.093	
20		462070120 *	0.176/4.46	0.093	
22		462070122 *	0.176/4.46	0.093	
24		462070124 *	0.176/4.46	0.093	
02		462070202 *	0.207/5.26	0.125	
04		462070204 *	0.207/5.26	0.125	
06		462070206 *	0.207/5.26	0.125	
08		462070208 *	0.207/5.26	0.125	
10		462070210 *	0.207/5.26	0.125	
12		462070212 *	0.207/5.26	0.125	
14		462070214 *	0.207/5.26	0.125	
16		462070216 *	0.207/5.26	0.125	
18		462070218 *	0.207/5.26	0.125	
20		462070220 *	0.207/5.26	0.125	
22		462070222 *	0.207/5.26	0.125	
24		462070224 *	0.207/5.26	0.125	

* DESIGNATES PART NOT RELEASED
CONTACT FACTORY FOR AVAILABILITY.

* DESIGNATES PART NOT RELEASED
CONTACT FACTORY FOR AVAILABILITY.

SEE SHEET 1 EC NO: UCP2010-1779 DRWN: JAGUILAR 2010/01/26 CHKD: JBELL 2010/02/22 APPR: FSMITH 2010/02/22	QUALITY SYMBOLS	GENERAL TOLERANCES (UNLESS SPECIFIED)	DIMENSION STYLE	SCALE	DESIGN UNITS	THIRD ANGLE PROJECTION
	▽=0	mm INCH	IN/MM	1:1	METRIC	
	▽=0	4 PLACES ± --- ± ---	DRAWN BY DATE	TITLE		
	▽=0	3 PLACES ± --- ± .005	CHECKED BY DATE	MINI-FIT RTC HI-TEMP VERTICAL HEADER IN LCP, W/PCB PEGS		
	2 PLACES ± 0.13 ± .010	APPROVED BY DATE	MOLEX INCORPORATED			
	1 PLACE ± 0.25 ± ---	MATERIAL NO.	DOCUMENT NO.			
	ANGULAR ± 1/2°	SEE CHART		SD-46207-001		SHEET NO. 2 OF 2
		DRAFT WHERE APPLICABLE MUST REMAIN WITHIN DIMENSIONS				
		THIS DRAWING CONTAINS INFORMATION THAT IS PROPRIETARY TO MOLEX INCORPORATED AND SHOULD NOT BE USED WITHOUT WRITTEN PERMISSION				