

iC-MFN

8-FOLD FAIL-SAFE N-FET DRIVER

target specification



Rev A2, Page 1/13

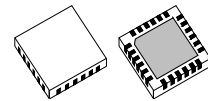
FEATURES

- ◆ 8-fold level shift up to 40 V output voltage
- ◆ Inputs compatible with TTL and CMOS levels, 40 V voltage proof
- ◆ Level shift configurable to 5 V, 10 V or supply voltage
- ◆ Short-circuit-proof push-pull current sources for driving FETs slowly
- ◆ Safe low output state with single errors
- ◆ Ground and supply voltage monitor
- ◆ Status output for error and system diagnostics
- ◆ Temperature range from -40 to 125 °C
- ◆ Protective ESD circuitry

APPLICATIONS

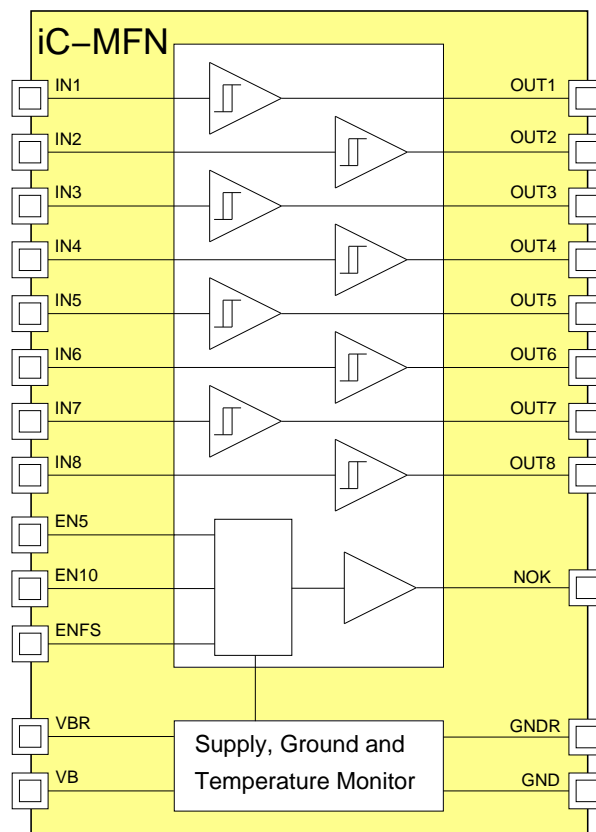
- ◆ Operation of N-FETs from 1.8 V, 2.5 V, 3.3 V or 5 V systems

PACKAGES



QFN24

BLOCK DIAGRAM



DESCRIPTION

iC-MFN is a monolithically integrated, 8-channel level adjustment device which drives N-channel FETs. The internal circuit blocks have been designed in such a way that with single errors, such as open pins (VB, VBR, GND, GNDR) or the short-circuiting of two outputs, iC-MFN's output stages switch to a predefined, safe low state. Externally connected N-channel FET are thus shut down safely in the event of a single error.

The inputs of the eight channels consist of a Schmitt trigger with a pull-down current source and are compatible with TTL and CMOS levels and are voltage-proof up to 40 V. The eight channels have a current-limited push-pull output stage and a pull-down resistor at the output. The hi-level at one of the inputs EN5, EN10 or ENFS defines the output hi-level and enables the outputs. The output hi-level is disabled with the lo-level at all inputs EN5, EN10 and ENFS or with the hi-level at more than one input.

iC-MFN monitors the supply voltage at VB and VBR pin and the voltages at the two ground pins GND and GNDR. Both power supply pins VB and VBR and both pins GND and GNDR must be connected together externally in order to guarantee the safe low state of the output stages in the event of error.

Should the supply voltage at VB undershoot a predefined threshold, the voltage monitor causes the out-

puts to be actively tied to GND via the lowside transistors. If the ground potential ceases to be applied to GND, the outputs are tied to GNDR by pull-down resistors.

If the connection between the ground potential and the GND pin is disrupted, the highside and lowside transistors of the output stages are shut down and the outputs tied to GNDR via the pull-down resistors. If on the other hand the connection between ground potential and the GNDR pin is disrupted, only the output stage highside transistors are shut down; the outputs are then actively tied to GND via the lowside transistors.

Pull-down currents provide the safe lo-level at open inputs IN1...8, EN5, EN10 and ENFS. The pull-down currents have two stages in order to minimize power dissipation with enhanced noise immunity.

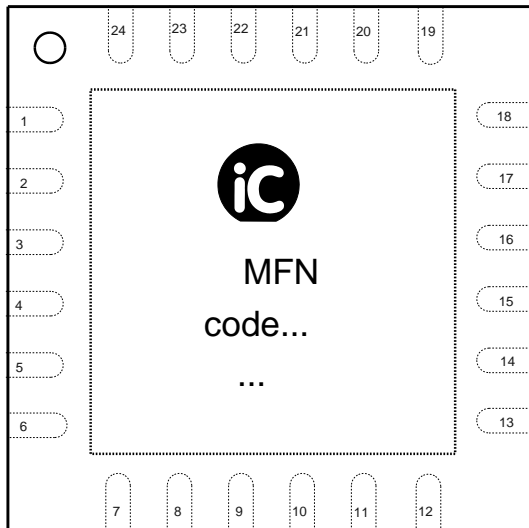
The status of the device is indicated with the Open-Drain pin NOK and can be used for system diagnostics.

Temperature monitoring protects the device from too high power dissipation.

The device is protected against destruction by ESD.

PACKAGES QFN24 4 mm x 4 mm to JEDEC

PIN CONFIGURATION QFN24
(top view)



PIN FUNCTIONS

No.	Name	Function
1	OUT1	Output channel 1
2	VB	Supply Voltage
3	VBR	Supply Voltage (R)
4	EN5	Enable input hi-level = 5V
5	EN10	Enable input hi-level = 10V
6	IN1	Input channel 1
7	IN2	Input channel 2
8	IN3	Input channel 3
9	IN4	Input channel 4
10	IN5	Input channel 5
11	IN6	Input channel 6
12	IN7	Input channel 7
13	IN8	Input channel 8
14	NOK	Output inverted status
15	ENFS	Enable input full scale hi-level = VB
16	GNDR	Ground (R)
17	GND	Ground
18	OUT8	Output channel 8
19	OUT7	Output channel 7
20	OUT6	Output channel 6
21	OUT5	Output channel 5
22	OUT4	Output channel 4
23	OUT3	Output channel 3
24	OUT2	Output channel 2
	TP	TP Thermal-Pad

The *Thermal Pad* is to be connected to a ground plane on the PCB. Connections between GND, GNDR and the ground plane should be conciled to system FMEA aspects.

iC-MFN

8-FOLD FAIL-SAFE N-FET DRIVER

target specification



Rev A2, Page 4/13

ABSOLUTE MAXIMUM RATINGS

Beyond these values damage may occur; device operation is not guaranteed.

Item No.	Symbol	Parameter	Conditions			Unit
				Min.	Max.	
G001	VB, VBR	Supply Voltage		-0.3	40	V
G002	V()	Voltage at OUT1...8, NOK		-0.3	40	V
G003	V()	Voltage at IN1...8, EN5, EN10, ENFS		-0.3	40	V
G004	V(GNDR)	Voltage at GNDR referenced to GND		-0.3	0.3	V
G005	V(GND)	Voltage at GND referenced to GNDR		-0.3	0.3	V
G006	V(VBR)	Voltage at VBR referenced to VB		-0.3	0.3	V
G007	V(VB)	Voltage at VB referenced to VBR		-0.3	0.3	V
G008	Imx()	Current in OUT1...8, NOK, IN1...8, EN5, EN10, ENFS		-10	10	mA
G009	Imx()	Current in VB, VBR		-10	80	mA
G010	Imx()	Current in GND, GNDR		-80	10	mA
G011	Vd()	ESD susceptibility at all pins	HBM 100 pF discharged through 1.5 kΩ		2	kV
G012	Tj	Operating Junction Temperature		-40	140	°C
G013	Ts	Storage Temperature Range		-55	125	°C

THERMAL DATA

Operating Conditions: VB = VBR = 4.5...40 V, GND = GNDR = 0 V

Item No.	Symbol	Parameter	Conditions				Unit
				Min.	Typ.	Max.	
T01	Ta	Operating Ambient Temperature Range		-40		125	°C
T02	Rthja	Thermal Resistance Chip/Ambient	SMD assembly, no additional cooling areas.			75	K/W

All voltages are referenced to ground unless otherwise stated.

All currents into the device pins are positive; all currents out of the device pins are negative.

ELECTRICAL CHARACTERISTICS

Operating Conditions: $V_B = V_{BR} = 4.5 \dots 40 \text{ V}$, $GND = GNDR = 0 \text{ V}$, $T_j = -40 \dots 125 \text{ }^\circ\text{C}$ unless otherwise stated

Item No.	Symbol	Parameter	Conditions	Tj °C	Fig.				Unit
						Min.	Typ.	Max.	
Total Device									
001	V_B	Permissible Supply Voltage				4.5		40	V
002	$I(V_B)$	Supply Current in V_B	No load, $EN5 = lo, EN10 = lo, ENFS = lo$			1.2		3.6	mA
003	$I(V_B)$	Supply Current in V_B	No load, $EN5 = hi, EN10 = lo, ENFS = lo, IN1 \dots 8 = hi, V_B = 8 \dots 40 \text{ V}$			3.2		6.6	mA
004	$I(V_B)$	Supply Current in V_B	No load, $EN5 = lo, EN10 = hi, ENFS = lo, IN1 \dots 8 = hi, V_B = 13 \dots 40 \text{ V}$			3.2		6.8	mA
005	$I(V_B)$	Supply Current in V_B	No load, $EN5 = lo, EN10 = lo, ENFS = hi, IN1 \dots 8 = hi, V_B = 4.5 \dots 40 \text{ V}$			1.3		6.6	mA
006	$I(V_{BR})$	Supply Current in V_{BR}					tbd		mA
007	$I(GND)$	Current in GND	No load			-7			mA
008	$I(GNDR)$	Current in GNDR	No load, all $OUTx = hi$				tbd		mA
Current Driver OUT1...8									
101	$V_c(OUTx)_{hi}$	Clamp Voltage hi	$I() = 10 \text{ mA}$			42		60	V
102	$V_c(OUTx)_{lo}$	Clamp Voltage lo referenced to the lower voltage of GND, GNDR	$I() = -10 \text{ mA}$			-2		-0.4	V
103	$V_s(OUTx)_{hi}$	Saturation Voltage hi referenced to V_B	$V_s()_{hi} = V_B - V()$, $INx = hi$, $ENFS = hi$, $I() = -0.5 \text{ mA}$, $I() = -2 \text{ mA}$					0.2 0.8	V V
104	$V_s(OUTx)_{lo}$	Saturation Voltage lo referenced to GND	$I() = 0.5 \text{ mA}$, $I() = 2 \text{ mA}$					0.2 0.8	V V
105	$V_r(OUTx)$	Output Voltage regulated, no load	$EN5 = hi, INx = hi, I() = 0 \text{ mA}$			4.7	5	5.3	V
106	$V_r(OUTx)$	Output Voltage regulated, no load	$EN10 = hi, INx = hi, I() = 0 \text{ mA}$			9.4	10	10.6	V
107	$R_i(OUTx)$	Output Resistance	$EN10 = hi$ or $EN5 = hi, INx = hi, I() = \pm 2 \text{ mA}$			100		500	Ω
108	$V_i(OUTx)$	Output Voltage	$I(OUTx) = 2 \mu\text{A}$, GND open					600	mV
109	$I_{pd}(OUTx)$	Pull-Down Current	$V(OUTx) = 1 \text{ V}$, GND open			30		120	μA
110	$R_{pd}(OUTx)$	Pull-Down Resistor at $OUTx$ referenced to GNDR	$V_B, V_{BR}, V(OUTx) = 10 \text{ V}$, GND open			50		300	$k\Omega$
111	$R_{pd}(OUTx)$	Pull-Down Resistor at $OUTx$ referenced to GNDR	$V_B, V_{BR}, V(OUTx) = 40 \text{ V}$, GND open			100		600	$k\Omega$
112	$I_{sc}(OUTx)_{lo}$	Short circuit current lo	$V() = 0.8 \text{ V} \dots V_B$			2	3.6	10	mA
113	$I_{sc}(OUTx)_{hi}$	Short circuit current hi	$V() = 0 \dots V_B - 0.8 \text{ V}$			-10	-3	-2	mA
114	$V_{sh}(OUTx)$	Output Voltage at short circuit of two outputs	$EN5 = hi$, At two different input signals hi and lo					1	V
115	$V_{sh}(OUTx)$	Output Voltage at short circuit of two outputs	$EN10 = hi$ oder $ENFS = hi$, At two different input signals hi and lo					1.3	V
116	$V_t(OUTx)_{hi}$	Threshold Voltage hi monitoring comparator	$V_t() = V_r() - V()$ or $V_t() = V_B - V()$			0.8			V
117	$V_t(OUTx)_{lo}$	Threshold Voltage lo monitoring comparator	$V_t() = V_r() - V()$ or $V_t() = V_B - V()$					2.2	V
118	$V_t()_{hys}$	Hysteresis	$V_t()_{hys} = V_t()_{lo} - V_t()_{hi}$			50		300	mV

ELECTRICAL CHARACTERISTICS

Operating Conditions: $V_B = V_{BR} = 4.5 \dots 40 \text{ V}$, $GND = GNDR = 0 \text{ V}$, $T_j = -40 \dots 125 \text{ }^\circ\text{C}$ unless otherwise stated

Item No.	Symbol	Parameter	Conditions	Tj °C	Fig.				Unit
						Min.	Typ.	Max.	
Input IN1...8, EN5, EN10, ENFS									
201	Vc()hi	Clamp Voltage hi	I() = 10 mA			42		60	V
202	Vc()lo	Clamp Voltage lo referenced to the lower voltage of GND, GNDR	I() = -10 mA			-2		-0.4	V
203	Vt()hi	Threshold Voltage hi				1.15		1.4	V
204	Vt()lo	Threshold Voltage lo				0.8		1.05	V
205	Vt()hys	Input Hysteresis	$Vt()hys = Vt()hi - Vt()lo$			200		400	mV
206	Ipd1()	Pull-Down Current 1	$0.4 \text{ V} < V() < Vt()hi$		5	75	225	350	µA
207	Ipd2()	Pull-Down Current 2	$V() > 1.4 \text{ V}$		5	20	45	70	µA
208	Cin()	Input Capacitance						20	pF
209	Ii()	Leakage Current	$V_B, V_{BR} = 0 \text{ V}, V() = 0..40 \text{ V}$			-10		10	µA
Supply and Temperature Monitor									
301	VBon	Turn-On Threshold VB				3.8		4.3	V
302	VBoff	Turn-Off Threshold VB	Decreasing voltage VB			3.4		4.0	V
303	VBhys	Hysteresis	$VBhys = VBon - VBoff$			200			mV
304	Toff	Turn-Off Temperature	Increasing temperature			145	160	180	°C
305	Ton	Turn-On temperature	Decreasing temperature			130	147	170	°C
306	Thys	Hysteresis	$Thys = Toff - Ton$				13		°C
Ground Monitor GND, GNDR									
401	Vt()hi	Threshold Voltage hi GND Monitor	Referenced to GNDR					270	mV
402	Vt()lo	Threshold Voltage lo GND Monitor	Referenced to GNDR			50			mV
403	Vt()hys	Hysteresis	$Vt()hys = Vt()hi - Vt()lo$			5		100	mV
404	Vt()hi	Threshold Voltage hi GNDR Monitor	Referenced to GND					270	mV
405	Vt()lo	Threshold Voltage lo GNDR Monitor	Referenced to GND			50			mV
406	Vt()hys	Hysteresis	$Vt()hys = Vt()hi - Vt()lo$			5		100	mV
407	Vc()hi	Clamp Voltage GNDR hi referenced to GND	I() = 1 mA			0.4		2	V
408	Vc()lo	Clamp Voltage GNDR lo referenced to GND	I() = -1 mA			-2		-0.4	V
Status Output NOK									
501	Vc(NOK)hi	Clamp Voltage hi	I() = 10 mA			42		60	V
502	Vc(NOK)lo	Clamp Voltage lo referenced to the lower voltage of GND, GNDR	I() = -10 mA			-2		-0.4	V
503	Ii(NOK)	Leakage Current	$GND < V(NOK) < V_B$			-20		20	µA
504	Vs(NOK)lo	Saturation Voltage lo referenced to GND	I() = 0.5 mA I() = 2 mA					0.2 0.8	V V
505	Isc(NOK)lo	Short circuit current lo	$V() = 0.8 \text{ V} \dots V_B$			2	3	10	mA
Supply Monitor VB, VBR									
601	Vt(VB)hi	Threshold Voltage hi VB Monitor	Referenced to VBR					270	mV
602	Vt(VB)lo	Threshold Voltage lo VB Monitor	Referenced to VBR			50			mV
603	Vt(VB)hys	Hysteresis	$Vt()hys = Vt()hi - Vt()lo$			5		100	mV
604	Vt(VBR)hi	Threshold Voltage hi VBR Monitor	Referenced to VB					270	mV
605	Vt(VBR)lo	Threshold Voltage lo VBR Monitor	Referenced to VB			50			mV
606	Vt(VBR)hys	Hysteresis	$Vt()hys = Vt()hi - Vt()lo$			5		100	mV
607	Vc(VBR)hi	Clamp Voltage hi	I() = 1 mA, $Vc() = V(VBR) - V(VB)$			0.4		2	V
608	Vc(VBR)lo	Clamp Voltage lo	I() = -1 mA, $Vc() = V(VBR) - V(VB)$			-2		-0.4	V

ELECTRICAL CHARACTERISTICS

Operating Conditions: $V_B = V_{BR} = 4.5 \dots 40 \text{ V}$, $GND = G_{NDR} = 0 \text{ V}$, $T_j = -40 \dots 125 \text{ }^\circ\text{C}$ unless otherwise stated

Item No.	Symbol	Parameter	Conditions	T_j °C	Fig.	Min.	Typ.	Max.	Unit
Testmode EN5, EN10, ENFS									
701	$V_t()_{hi}$	Threshold Voltage hi disable test	EN5 = EN10 = ENFS					-60	mV
702	$V_t()_{lo}$	Threshold Voltage lo enable test	EN5 = EN10 = ENFS			-320			mV
703	$V_t()_{hys}$	Hysteresis	$V_t()_{hys} = V_t()_{hi} - V_t()_{lo}$			50		160	mV
Timing									
901	$t_p(\text{OUTx})$	Propagation delay INx, EN5 → OUTx	$\{(INx, EN5)_{lo} \rightarrow hi\} \rightarrow 90\% \text{OUTx}$ $\{(INx, EN5)_{hi} \rightarrow lo\} \rightarrow 10\% \text{OUTx}$ $C_{Load}() = 100 \text{ pF}$		1	0.45		1.1	μs
902	$t_p(\text{OUTx})$	Propagation delay INx, EN5 → OUTx	$\{(INx, EN5)_{lo} \rightarrow hi\} \rightarrow 90\% \text{OUTx}$ $\{(INx, EN5)_{hi} \rightarrow lo\} \rightarrow 10\% \text{OUTx}$ $C_{Load}() = 1 \text{ nF}$		1	1.3		2.4	μs
903	$t_p(\text{OUTx})$	Propagation delay INx, EN5 → OUTx	$\{(INx, EN5)_{lo} \rightarrow hi\} \rightarrow 90\% \text{OUTx}$ $\{(INx, EN5)_{hi} \rightarrow lo\} \rightarrow 10\% \text{OUTx}$ $C_{Load}() = 2 \text{ nF}$		1	2.2		3.7	μs
904	$t_p(\text{OUTx})$	Propagation delay INx, EN5 → OUTx	$\{(INx, EN5)_{lo} \rightarrow hi\} \rightarrow 90\% \text{OUTx}$ $\{(INx, EN5)_{hi} \rightarrow lo\} \rightarrow 10\% \text{OUTx}$ $C_{Load}() = 5 \text{ nF}$		1	5		8.1	μs
905	$t_p(\text{OUTx})$	Propagation delay INx, EN10 → OUTx	$\{(INx, EN10)_{lo} \rightarrow hi\} \rightarrow 90\% \text{OUTx}$ $\{(INx, EN10)_{hi} \rightarrow lo\} \rightarrow 10\% \text{OUTx}$ $C_{Load}() = 100 \text{ pF}$		1	0.7		1.6	μs
906	$t_p(\text{OUTx})$	Propagation delay INx, EN10 → OUTx	$\{(INx, EN10)_{lo} \rightarrow hi\} \rightarrow 90\% \text{OUTx}$ $\{(INx, EN10)_{hi} \rightarrow lo\} \rightarrow 10\% \text{OUTx}$ $C_{Load}() = 1 \text{ nF}$		1	2.3		4.1	μs
907	$t_p(\text{OUTx})$	Propagation delay INx, EN10 → OUTx	$\{(INx, EN10)_{lo} \rightarrow hi\} \rightarrow 90\% \text{OUTx}$ $\{(INx, EN10)_{hi} \rightarrow lo\} \rightarrow 10\% \text{OUTx}$ $C_{Load}() = 2 \text{ nF}$		1	3.9		7.1	μs
908	$t_p(\text{OUTx})$	Propagation delay INx, EN10 → OUTx	$\{(INx, EN10)_{lo} \rightarrow hi\} \rightarrow 90\% \text{OUTx}$ $\{(INx, EN10)_{hi} \rightarrow lo\} \rightarrow 10\% \text{OUTx}$ $C_{Load}() = 5 \text{ nF}$		1	9		16	μs
909	$t_p(\text{OUTx})$	Propagation delay INx, ENFS → OUTx	$\{(INx, ENFS)_{lo} \rightarrow hi\} \rightarrow 90\% \text{OUTx}$ $\{(INx, ENFS)_{hi} \rightarrow lo\} \rightarrow 10\% \text{OUTx}$ $C_{Load}() = 100 \text{ pF}$		1	1.4		3.1	μs
910	$t_p(\text{OUTx})$	Propagation delay INx, ENFS → OUTx	$\{(INx, ENFS)_{lo} \rightarrow hi\} \rightarrow 90\% \text{OUTx}$ $\{(INx, ENFS)_{hi} \rightarrow lo\} \rightarrow 10\% \text{OUTx}$ $C_{Load}() = 1 \text{ nF}$		1	5.2		9.8	μs
911	$t_p(\text{OUTx})$	Propagation delay INx, ENFS → OUTx	$\{(INx, ENFS)_{lo} \rightarrow hi\} \rightarrow 90\% \text{OUTx}$ $\{(INx, ENFS)_{hi} \rightarrow lo\} \rightarrow 10\% \text{OUTx}$ $C_{Load}() = 2 \text{ nF}$		1	9.2		16.7	μs
912	$t_p(\text{OUTx})$	Propagation delay INx, ENFS → OUTx	$\{(INx, ENFS)_{lo} \rightarrow hi\} \rightarrow 90\% \text{OUTx}$ $\{(INx, ENFS)_{hi} \rightarrow lo\} \rightarrow 10\% \text{OUTx}$ $C_{Load}() = 5 \text{ nF}$		1	20		35	μs
913	$dV()/dt$	Slew rate	$V_B = 24 \text{ V}$, $C_{Load}() = 100 \text{ pF}$			7		18	$\text{V}/\mu\text{s}$
914	$dV()/dt$	Slew rate	$V_B = 24 \text{ V}$, $C_{Load}() = 1 \text{ nF}$			2.2		4.5	$\text{V}/\mu\text{s}$
915	$dV()/dt$	Slew rate	$V_B = 24 \text{ V}$, $C_{Load}() = 2 \text{ nF}$			1.2		2.5	$\text{V}/\mu\text{s}$
916	$dV()/dt$	Slew rate	$V_B = 24 \text{ V}$, $C_{Load}() = 5 \text{ nF}$			0.5		1.2	$\text{V}/\mu\text{s}$

ELECTRICAL CHARACTERISTICS: Diagrams

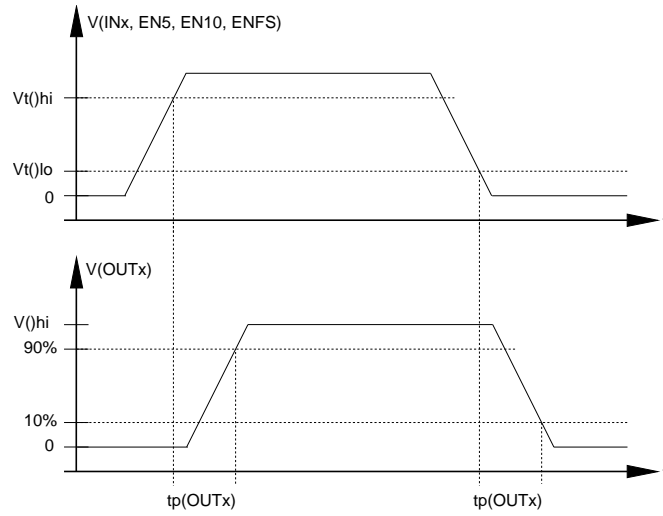


Figure 1: Propagation delays

DESCRIPTION OF FUNCTIONS

Hi-level output configuration

The device iC-MFN has three adjustable hi-levels for driving N-channel fets. The configured hi-level is common to all outputs OUTx and the maximum level is the power supply VB potential. The hi-level configuration inputs are used simultaneous for enabling the hi-level at the outputs OUTx. The hi-level at exactly one input EN5, EN10 or ENFS configure the voltage of hi-level and enable the outputs. If more than one of these inputs have hi-level the outputs remains disabled. The hi-level 5 V (configured with EN5 = hi) and 10 V (configured with EN10 = hi) are internally generated by a voltage reference and regulated. The hi-level VB (configured with ENFS = hi) is an unregulated connection to VB. In this case the voltage swing depends directly from the power supply VB.

Output characteristics of the highside transistor

The highside output transistors at the eight channels demonstrate a resistive behavior with low voltage ($V_B - V(\text{OUTx})$) and behave as a current source with finite output resistance with higher voltages.

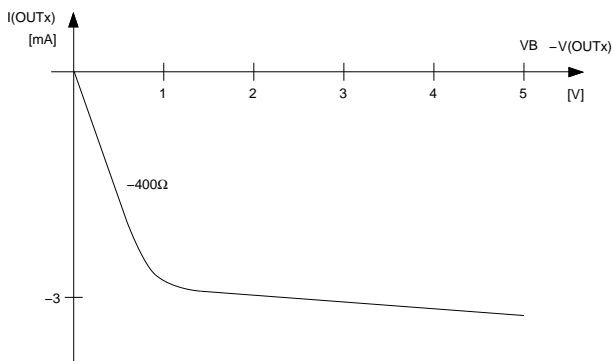


Figure 2: Output characteristic of the highside transistor at OUTx

Output characteristic of the regulated push-pull-output at OUTx

The hi-level 5 V and 10 V is generated with a regulated push-pull output and demonstrate a resistive behavior with low voltage changes and behave as a current source with finite output resistance with higher voltage changes.

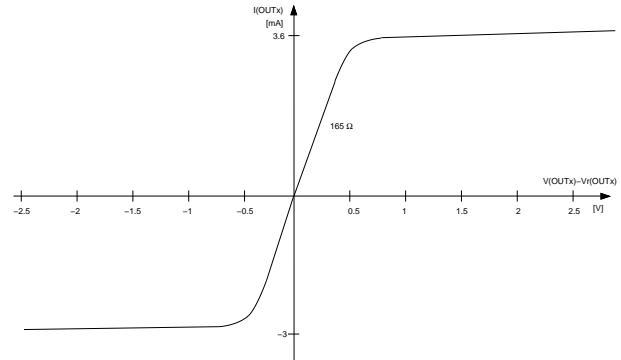


Figure 3: Output characteristic of the regulated push-pull-output at OUTx

Output characteristic of the lowside transistor

The lowside output transistors at the eight channels demonstrate a resistive behavior with low voltage $V(\text{OUTx})$ and behave as a current sink with finite output resistance with higher voltages.

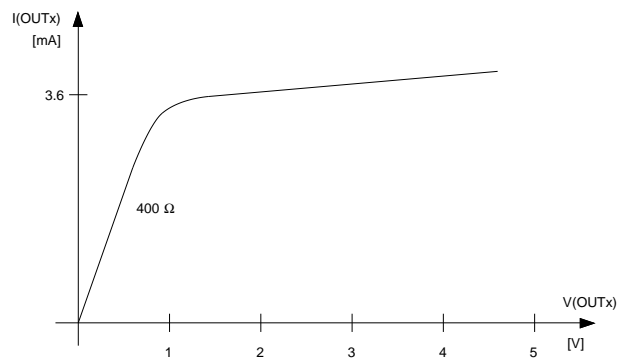


Figure 4: Output characteristic of the lowside transistor at OUTx

Status output NOK

The status output NOK is a current limited 40 V proof open-drain output. The output transistor is switched on if the hi-level of the outputs OUTx are enabled with exactly one pin ENx, the outputs have reached the voltage levels defined by the inputs INx, the power supply voltage is above the power-on threshold, the temperature is below the switch off temperature and all power supply pins are connected.

Pull-down currents

In order to enhance noise immunity with limited power dissipation at inputs INx, EN5, EN10 and ENFS the pull-down currents at these pins have two stages. With a rise in voltage at input pins INx, EN5, EN10 und ENFS the pull-down current remains high until $V_t(hi)$ (Electrical Characteristics No. 203); above this threshold the device switches to a lower pull-down current. If the voltage falls below $V_t(lo)$ (Electrical Characteristics No. 204), the device switches back to a higher pull-down current.

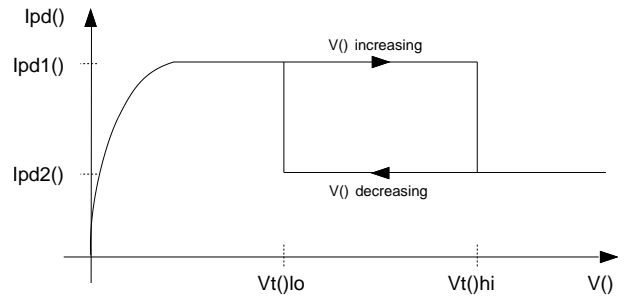


Figure 5: Pull-down currents at INx, EN5, EN10 and ENFS

DETECTING SINGLE ERRORS

If single errors are detected, safety-relevant applications require externally connected switching transistors to be specifically shut down. Single errors can occur when a pin is open (due to a disconnected bonding wire or a bad solder connection, for example) or when two pins are short-circuited.

When two output of different logic levels are short-circuited, the driving capability of the lowside driver will predominate, keeping the connected N-channel FETs in a safe shutdown state.

With open pins VB, VBR, GND or GNDR iC-MFN switches the output stages to a safe, predefined low state via pull-down resistors and current sources at the outputs, subsequently shutting down any externally connected N-channel FETs.

Loss of VB potential

If power supply potential is no longer applied to the VB-pin, the output stage highside drivers are shut down and the outputs actively tied to GND via the lowside drivers.

Loss of VBR potential

If power supply potential is no longer applied to the VBR-pin, the output stage highside drivers are shut down and the outputs actively tied to GND via the lowside drivers.

Loss of GNDR potential

If ground potential is no longer applied to the GNDR-pin, the output stage highside drivers are shut down and the outputs actively tied to GND via the lowside drivers.

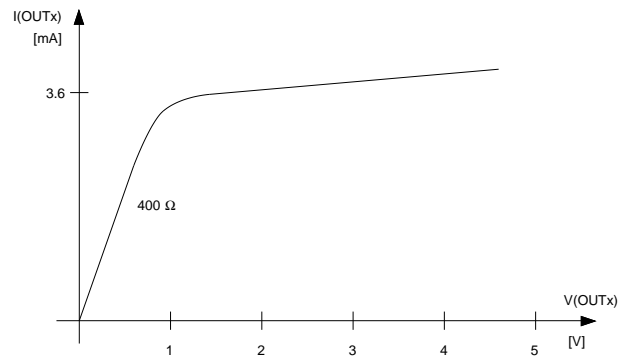


Figure 6: Output characteristics at OUTx with loss of VB, VBR or GNDR

Loss of GND potential

If ground potential is not longer applied to GND, the output stages are shut down and the outputs tied to GNDR via current sources and internal pull-down resistors with a typical value of 200 kΩ.

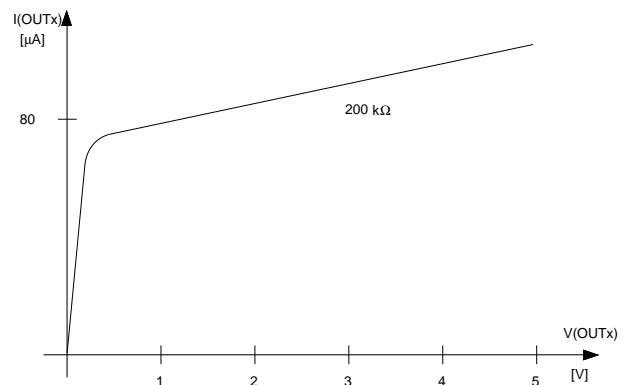


Figure 7: Output characteristics at OUTx with loss of GND

APPLICATION NOTES

Driving an N-channel MOSFET

One typical field of application for iC-MFN is in the operation of N-FETs with microprocessor output signals, as shown in Figure 8.

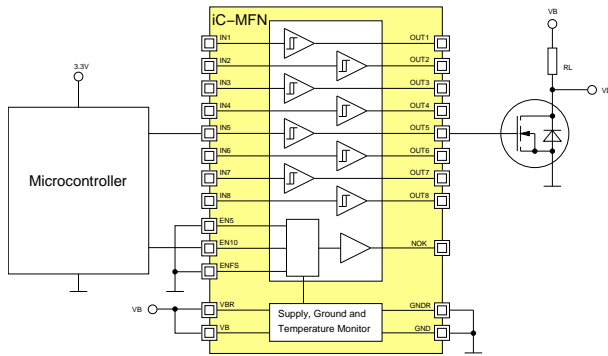


Figure 8: Driving an N-channel MOSFET

Slowly switching of a transistor is done with a current limited driver. Figure 9 shows the different phases of a turn on process with resistive load. In Section t_0 to t_1 the gate of the transistors is loaded to the threshold voltage $V_{th}(FET)$ and is a dead time. In section t_1 to t_2 the gate voltage keeps nearly constant (miller-plateau) during the drain voltage slope. The slew rate depends on the current of the driver and the gate-drain capacitor of the transistor. In section t_2 to t_3 the gate voltage reach the static value. The transistor thus goes low ohmic and minimizes the power dissipation. The equations 1 to 4 are simplified and give an estimation of the timing on the basis of data from the specifications of the device iC-MFN and the used transistor. The turn off looks similar to the turn on but with reverse run trough.

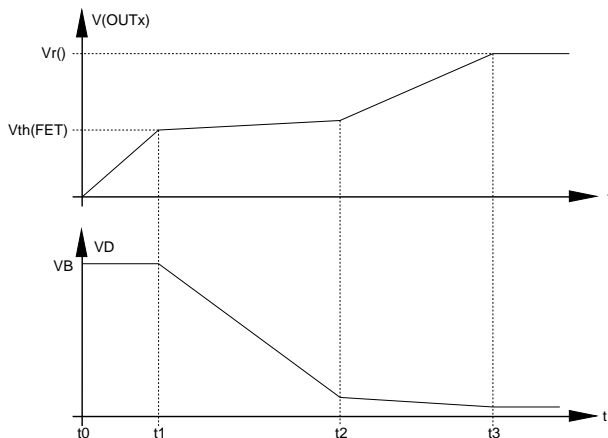


Figure 9: On switching of a transistor

$$t_{t0..t1}[\mu s] = C_{iss}@(V_{ds} = hi) \times \frac{V_{th}(FET)}{-I_{sc}(OUTx)_{hi}} \quad (1)$$

$$t_{t1..t2}[\mu s] = C_{rSS}@(V_{ds} = hi) \times \frac{VB}{-I_{sc}(OUTx)_{hi}} \quad (2)$$

$$t_{t2..t3}[\mu s] = C_{iss}@(V_{ds} = lo) \times \frac{V_r(OUTx) - V_{th}(FET)}{-I_{sc}(OUTx)_{hi}} \quad (3)$$

$$t_{on} = t_{t0..t1} + t_{t1..t2} + t_{t2..t3} \quad (4)$$

$C_{iss} = C_{gs} + C_{gd}$ = voltage dependent gate-source and gate-drain capacitor [nF]

$C_{rSS} = C_{gd}$ = voltage dependent gate-drain capacitor [nF]

$I_{sc}(OUTx)_{lo}$ = short circuit current lo at OUTx [mA]

$t_{t0..t1}$ = dead time [μs]

$t_{t1..t2}$ = slope time at drain (Miller-Plateau) [μs]

$t_{t2..t3}$ = time to reach static gate voltage [μs]

t_{on} = overall turn on time [μs]

VB = power supply VB [V]

$V_r(OUTx)$ = configured static turn on voltage at OUTx [V]

$V_{th}(FET)$ = threshold of the transistor [V]

iC-MFN

8-FOLD FAIL-SAFE N-FET DRIVER

target specification



Rev A2, Page 12/13

Example

Turn on calculation with following estimations:

$$C_{iss} @ (V_{ds} = 24 V) = 1.5 \text{ nF}$$

$$C_{iss} @ (V_{ds} = 1 V) = 3 \text{ nF}$$

$$C_{rss} @ (V_{ds} = 24 V) = 0.3 \text{ nF}$$

$$I_{sc}(OUTx)_{hi} = -4 \text{ mA}$$

$$V_B = 24 V$$

$$V_r(OUTx) = 10 V$$

$$V_{th}(FET) = 3 V$$

From this follows:

$$t_{t0..t1} = 1.13 \mu s$$

$$t_{t1..t2} = 1.8 \mu s$$

$$t_{t2..t3} = 5.25 \mu s$$

$$t_{on} = 8.18 \mu s$$

The slew rate at the drain of transistor is: $13.3 V/\mu s$

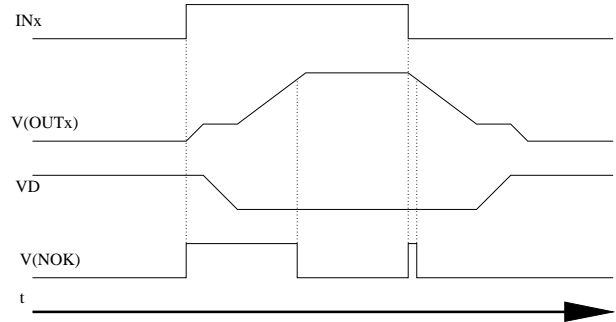


Figure 10: Turn on and off one channel with INx

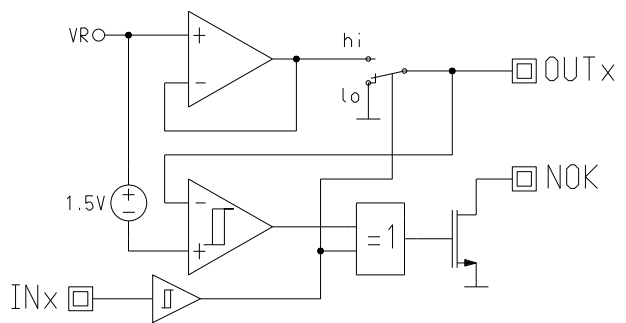


Figure 11: Circuit diagram one channel with monitoring comparator

Figure 10 shows the turn on and off at one channel with pin INx. The pulse duration at pin NOK, especially at turn on, can be used for monitoring the connected transistor and the load.

This specification is for a newly developed product. iC-Haus therefore reserves the right to change or update, without notice, any information contained herein, design and specification; and to discontinue or limit production or distribution of any product versions. Please contact iC-Haus to ascertain the current data. Copying – even as an excerpt – is only permitted with iC-Haus approval in writing and precise reference to source.

iC-Haus does not warrant the accuracy, completeness or timeliness of the specification on this site and does not assume liability for any errors or omissions in the materials. The data specified is intended solely for the purpose of product description. No representations or warranties, either express or implied, of merchantability, fitness for a particular purpose or of any other nature are made hereunder with respect to information/specification or the products to which information refers and no guarantee with respect to compliance to the intended use is given. In particular, this also applies to the stated possible applications or areas of applications of the product.

iC-Haus conveys no patent, copyright, mask work right or other trade mark right to this product. iC-Haus assumes no liability for any patent and/or other trade mark rights of a third party resulting from processing or handling of the product and/or any other use of the product.

iC-MFN

8-FOLD FAIL-SAFE N-FET DRIVER

target specification



Rev A2, Page 13/13

ORDERING INFORMATION

Type	Package	Order Designation
iC-MFN	QFN24 4 mm	iC-MFN QFN24

For technical support, information about prices and terms of delivery please contact:

iC-Haus GmbH
Am Kuemmerling 18
D-55294 Bodenheim
GERMANY

Tel.: +49 (61 35) 92 92-0
Fax: +49 (61 35) 92 92-192
Web: <http://www.ichaus.com>
E-Mail: sales@ichaus.com

Appointed local distributors: http://www.ichaus.de/support_distributors.php