

10/100 Base-TX Voice Over IP Magnetic Module

EPF8220F



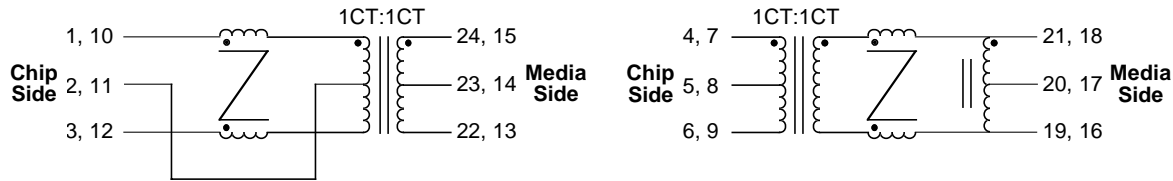
- Designed for 10 Mbps and 100 Mbps VoIP Applications •
- Complies with or exceeds IEEE 802.3 10/100 Base-X Standards •
 - 1500 Vrms Isolation •
 - 350 mA Current Capability •
- Operating Temperature : 0°C to 70°C •

Electrical Parameters @ 25° C

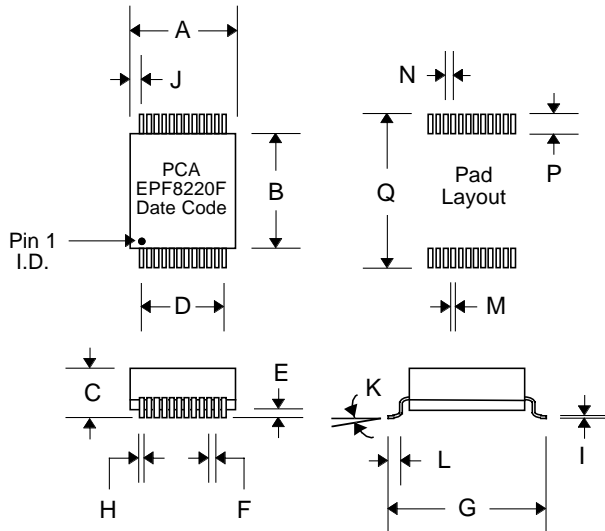
OCL (μ H Min.)	Leakage Inductance (μ H Max.)	Interwinding Capacitance (pF Max..)	DCR (Ω Max.)	Insertion Loss (dB Max.)		Return Loss (dB Min.)		Common to Differential (dB Min.)	CMRR (dB Min.)	Cross talk (dB Min.)			
				100 KHz- 100 MHz	2-30 MHz	60-80 MHz	100 KHz- 100 MHz			100 KHz- 100 MHz	1 MHz	30 MHz	60 MHz
@ 100 KHz, 0.1 Vrms 8 mA DC bias	---	---	---	100 KHz- 100 MHz	2-30 MHz	60-80 MHz	100 KHz- 100 MHz	100 KHz- 100 MHz	1 MHz	30 MHz	60 MHz	100 MHz	
350 (Media Side)	.25	25	1.0	-1.5	-16	-10	-45	-45	-65	-60	-50	-45	

• Impedance : 100 Ω •

Schematic



Package



Dimensions

Dim.	(Inches)			(Millimeters)		
	Min.	Max.	Nom.	Min.	Max.	Nom.
A	.530	.550	.540	13.46	13.97	13.72
B	.590	.610	.600	14.99	15.49	15.24
C	---	.250	---	---	6.35	---
D	---	---	.429	---	---	10.90
E	.010	.015	.012	.254	.381	.305
F	---	---	.039	---	---	.991
G	.710	.730	.720	18.03	18.54	18.29
H	.013	.019	.016	.330	.483	.406
I	.008	.013	.010	.203	.330	.254
(J)	---	---	.056	---	---	1.41
K	0°	8°	4°	0°	8°	4°
L	.025	.045	.035	.635	1.14	.889
M	---	---	.025	---	---	.635
N	---	---	.039	---	---	.991
P	---	---	.080	---	---	2.03
Q	---	---	.760	---	---	19.30