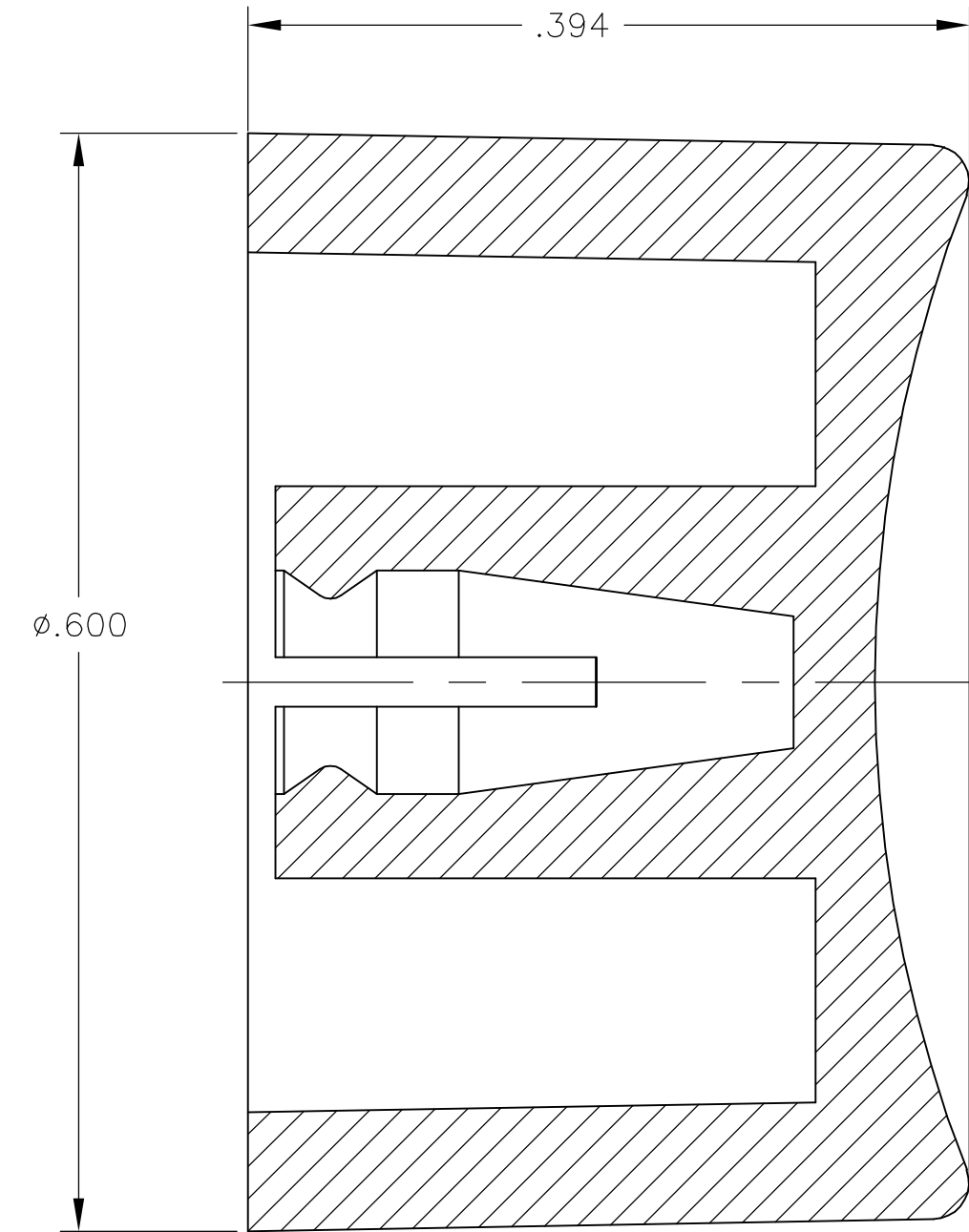
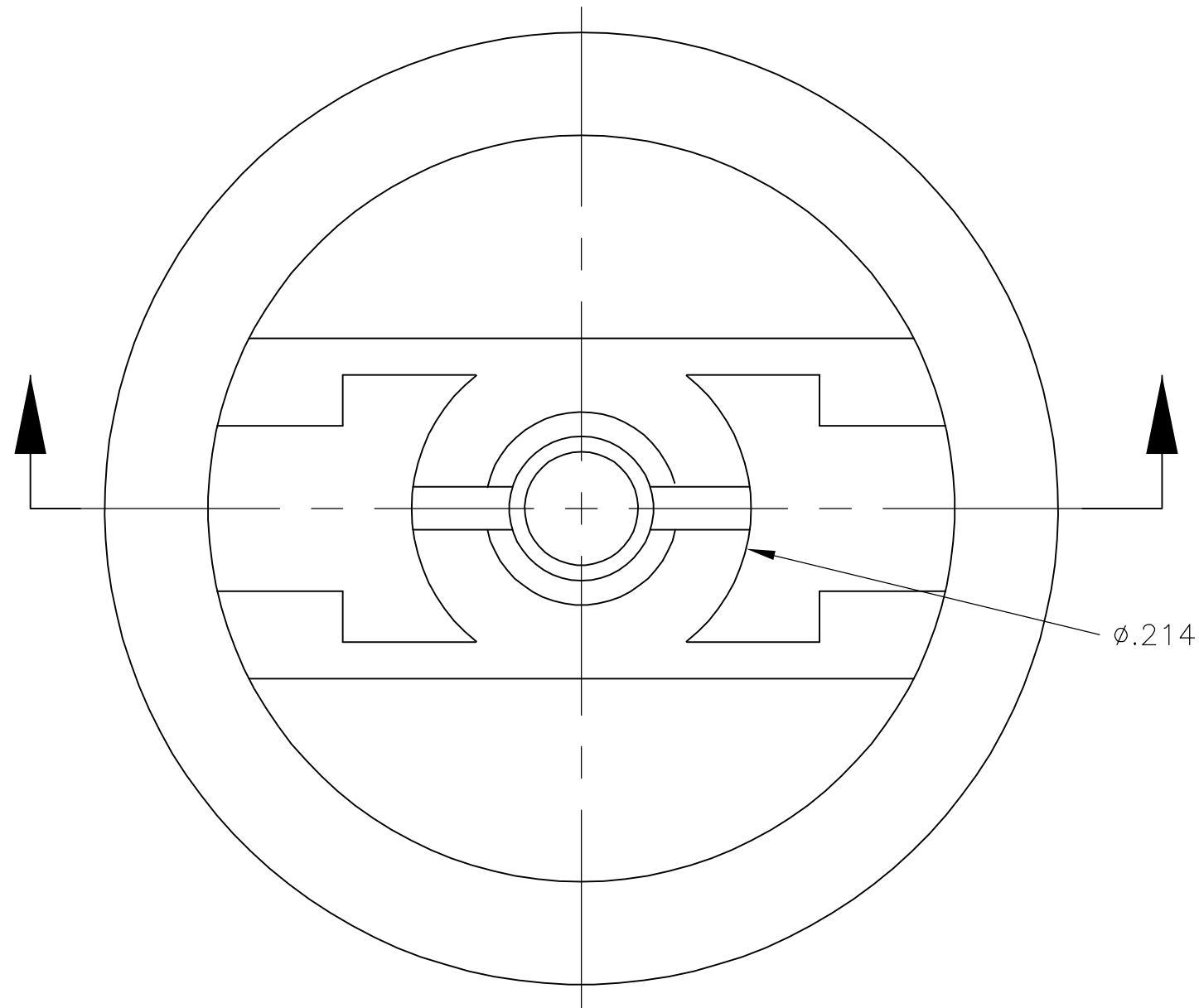


THIS DRAWING IS UNPUBLISHED. RELEASED FOR PUBLICATION
 © COPYRIGHT BY TYCO ELECTRONICS CORPORATION. ALL RIGHTS RESERVED.

LOC	DIST	REVISIONS			
P	LTR	DESCRIPTION	DATE	DWN	APVD
AD	00	A	ECO-06-1882	13JAN06	MZ MZ



WHITE	C23904	1825069-7
BLUE	C23604	1825069-6
GREEN	C23504	1825069-5
YELLOW	C23404	1825069-4
ORANGE	C23304	1825069-3
RED	C23204	1825069-2
BLACK	C23004	1825069-1
COLOR	ALCO PART NUMBER	TYCO PART NUMBER

- MATERIAL SHALL COMPLY WITH EU DIRECTIVE 2002/95/EC OF 20JAN2003 (ROHS)
- CAP FOR USE WITH GREEN SERIES PUSHBUTTON SWITCHES AS SHOWN ON DRAWINGS 1825040 AND 1825041.

THIS DRAWING IS A CONTROLLED DOCUMENT.		DWN M.BINNER 30NOV04	Tyco Electronics Corporation Harrisburg, PA 17105-3608																			
DIMENSIONS: INCHES		CHK M.ZITTO 30NOV04																				
TOLERANCES UNLESS OTHERWISE SPECIFIED:		APVD M.ZITTO 30NOV04	NAME CAP, GREEN SERIES, PUSHBUTTON, C23																			
<table border="1"> <tr> <td>0 PLC</td> <td>±</td> <td>-</td> </tr> <tr> <td>1 PLC</td> <td>±</td> <td>-</td> </tr> <tr> <td>2 PLC</td> <td>±</td> <td>-</td> </tr> <tr> <td>3 PLC</td> <td>±</td> <td>.003</td> </tr> <tr> <td>4 PLC</td> <td>±</td> <td>-</td> </tr> <tr> <td>ANGLES</td> <td>±</td> <td>1°</td> </tr> </table>		0 PLC	±	-	1 PLC	±	-	2 PLC	±	-	3 PLC	±	.003	4 PLC	±	-	ANGLES	±	1°	PRODUCT SPEC -	RESTRICTED TO -	
0 PLC	±	-																				
1 PLC	±	-																				
2 PLC	±	-																				
3 PLC	±	.003																				
4 PLC	±	-																				
ANGLES	±	1°																				
MATERIAL POLYAMIDE		FINISH -	APPLICATION SPEC -	SIZE A2																		
		WEIGHT -	CAGE CODE 00779	DRAWING NO C=1825069																		
CUSTOMER DRAWING			SCALE 10:1	SHEET 1 of 1																		
			REV A																			