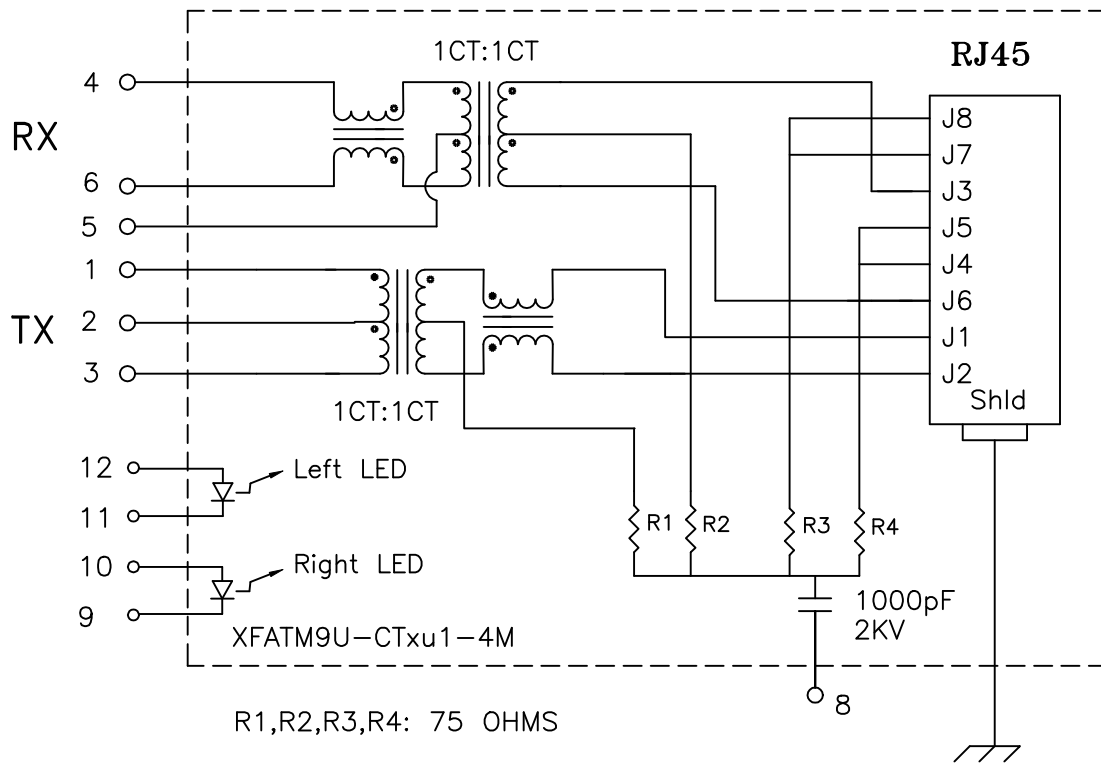


### Schematic:



### Electrical Specifications: @25°C

Isolation Voltage: 1500 Vrms (Input to Output)  
 Isolation Voltage: 500 Vrms (P1+2+3 to P4+5+6)  
 Turns Ratio: TX 1CT:1CT ±3% RX 1CT:1CT ±3%  
 CABLE SIDE OCL: 350uH Minimum @100KHz 100mV 8mADC  
 Cw/w: 27pF Typical @100KHz 100mV  
 Insertion Loss (300KHz-100MHz): -1.0dB Maximum  
 Return Loss: @1-10MHz @10-30MHz @30-60MHz @60-80MHz  
                   -20dB           -16dB           -12dB           -10dB  
 Crosstalk: @1-30MHz @30-60MHz @60-100MHz  
                   -40dB           -35dB           -30dB  
 CMR: @1-50MHz @50-150MHz  
                   -30dB           -20dB

#### Notes:

1. Solderability: Leads shall meet MIL-STD-202, Method 208D for solderability.
2. Flammability: UL94V-0
3. ASTM oxygen index: > 28%
4. Temperature rating: 155°C. UL file E151556
5. Operating Temperature Range: -40°C to +85°C

Complete the Combo P/N as follows:

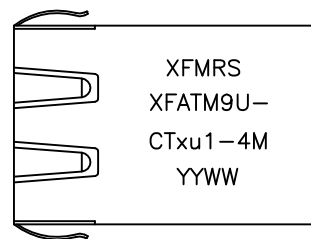
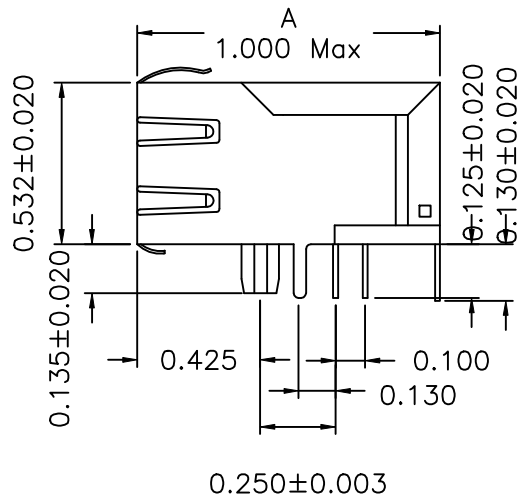
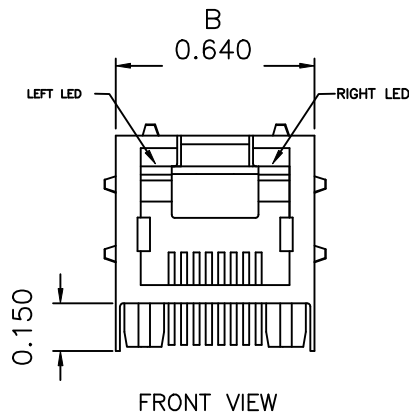
Replace 'x' & 'u' in the part number with one of the LED color letters:  
 Y=Yellow           'x' = Left LED Color  
 G=Green           'u' = Right LED Color  
 A=Amber  
 R=Red  
 N=Yellow(1)/Green(2) Bicolor  
 M=Green(1)/Yellow(2) Bicolor

Single Color LED: Bi-Color LED:

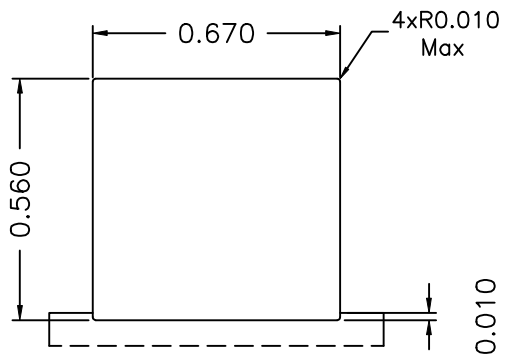
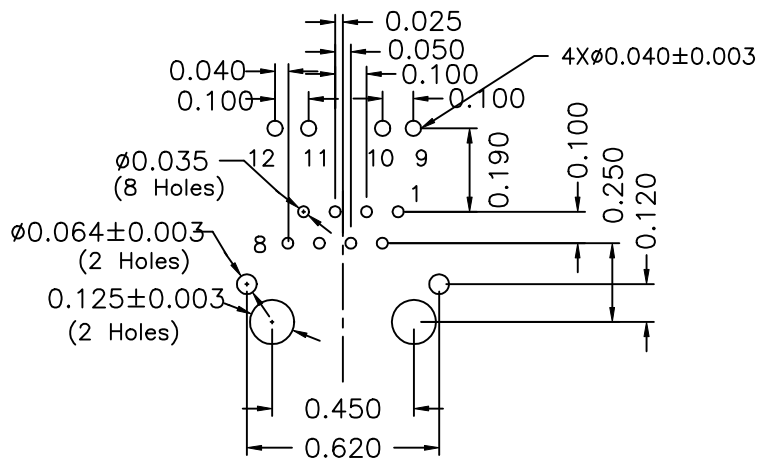
DOC. REV: A/1

XFMR5 Inc.	Title: SINGLE PORT COMBO TAB UP		
	UNLESS OTHERWISE SPECIFIED	P/N: XFATM9U-CTxu1-4M	REV. A
TOLERANCES: .xxx ±0.010	DWN.	罗振江	Jun-25-03
Dimensions in Inch	CHK.	廖玉坤	Jun-25-03
SHEET 1 OF 2	APP.	MS	Jun-25-03

### Mechanical Dimensions:



### Mounting Pattern:



DOC. REV A/1

<b>XFMRS Inc.</b>		Title: Mechanical Dimensions For TAB UB RJ45 COMBO	
UNLESS OTHERWISE SPECIFIED TOLERANCES: .xxx ±0.010 Dimensions in Inch		P/N: XFATM9U-CTxu1-4M	REV. A
		DWN.	罗振江 Jun-25-03
		CHK.	廖玉坤 Jun-25-03
SHEET 2 OF 2		APP.	MS Jun-25-03