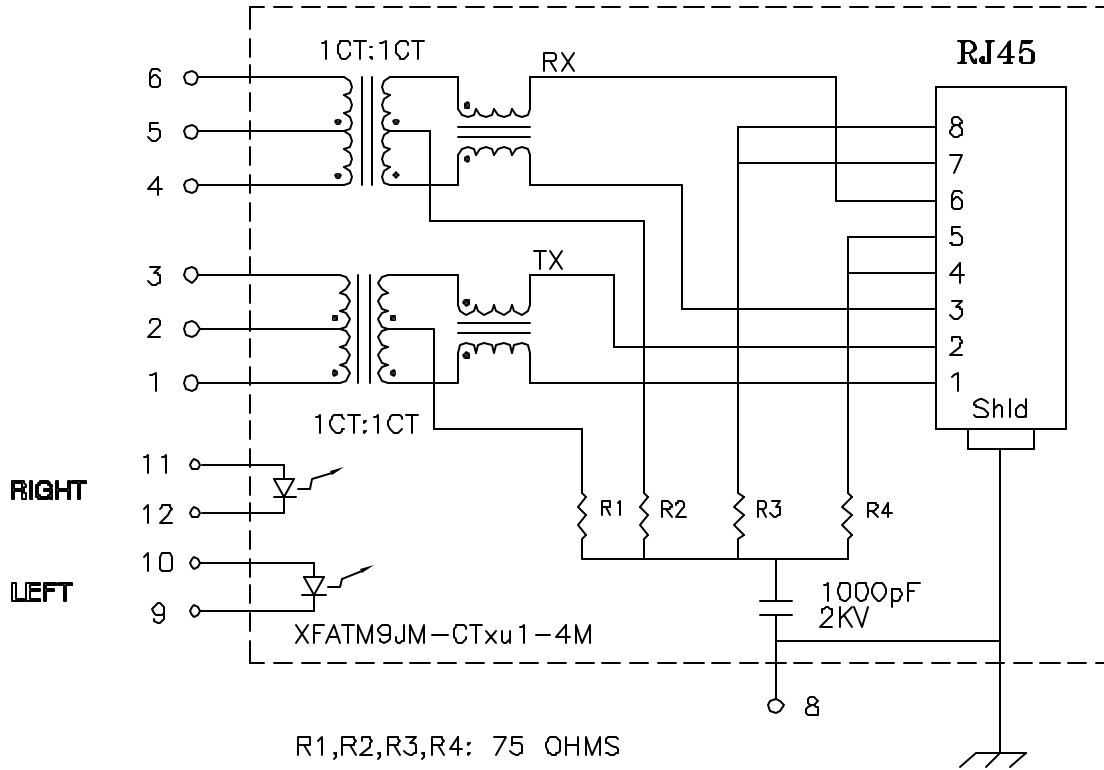


**Schematic:**



**Electrical Specifications: @25°C**

- Isolation Voltage: 1500 Vrms (Input to Output)
- Isolation Voltage: 500 Vrms (P1+2+3 to P4+5+6)
- Turns Ratio: TX 1CT:1CT ±3% RX 1CT:1CT ±3%
- CABLE SIDE OCL: 350uH Minimum @100KHz 100mV 8mADC
- Cw/w: 27pF Typical @100KHz 100mV
- Insertion Loss (300KHz-100MHz): -1.0dB Minimum
- Return Loss: @30MHz -18dB Minimum
- @80MHz -12dB Minimum

**Notes:**

1. Solderability: Leads shall meet MIL-STD-202, Method 208D for solderability.
2. Flammability: UL94V-0
3. ASTM oxygen index: > 28%
4. Insulation System: Class F 155°C. UL file E151556
5. Operating Temperature Range: All listed parameters are to be within tolerance from 0°C to +70°C
6. Storage Temperature Range: -55°C to +125°C
7. Aqueous wash compatible

Complete the Combo P/N as follows:

Replace 'x' & 'u' in the part number with one of the LED color letters:

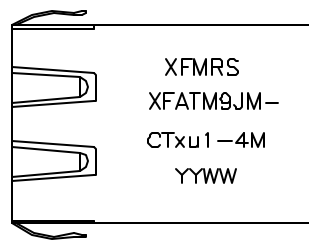
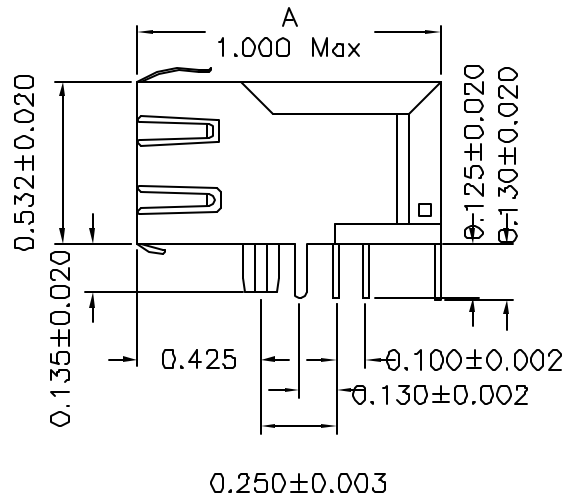
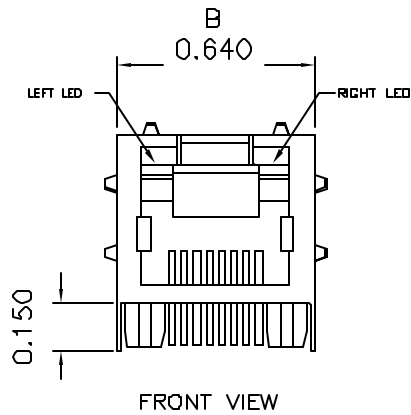
Y=Yellow	'x' = Left LED Color
G=Green	'u' = Right LED Color
A=Amber	
R=Red	
N=Yellow(1)/Green(2) Bicolor	
M=Green(1)/Yellow(2) Bicolor	

Single Color LED:

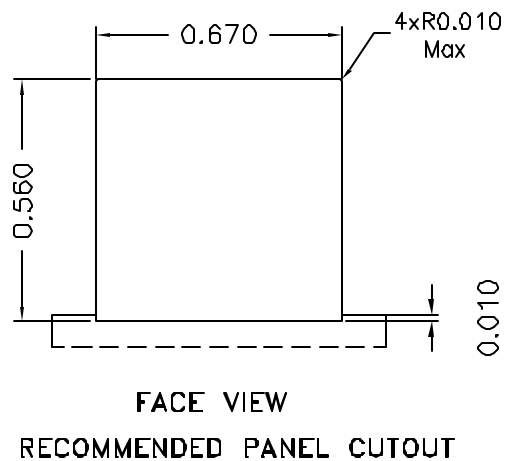
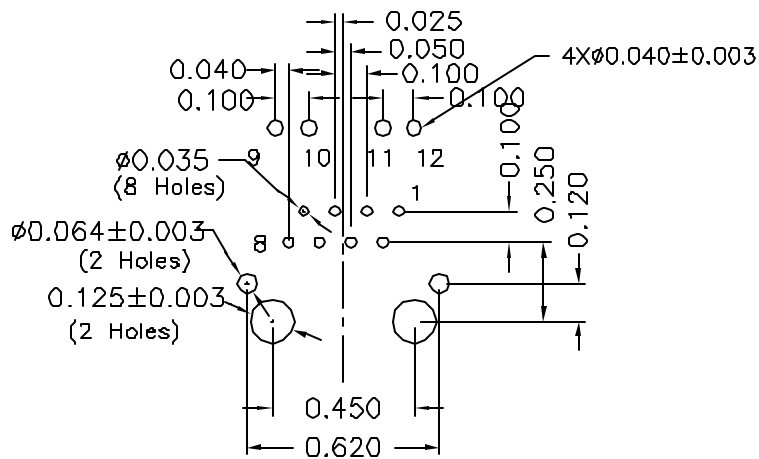
Bi-Color LED:

<b>XFMRs Inc.</b>	Title: SINGLE PORT COMBO TAB UP		
	UNLESS OTHERWISE SPECIFIED TOLERANCES: .xxx ±0.010	P/N: XFATM9JM-CTxu1-4M	REV. A
Dimensions in Inch	DWN. 廖玉坤	May-02-03	
	CHK. 李清儿	May-02-03	
SHEET 1 OF 2	APP. MS	May-02-03	

### Mechanical Dimensions:



### Mounting Pattern:



DOC. REV A/1

<b>XFMRS Inc.</b>	Title: Mechanical Dimensions For TAB UP RJ45 COMBO		
UNLESS OTHERWISE SPECIFIED TOLERANCES: .xxx ±0.010 Dimensions in Inch	P/N: XFATM9JM-CTxu1-4M	REV. A	
	DWN.	李小锋	May-02-03
	CHK.	廖玉坤	May-02-03
SHEET 2 OF 2	APP.	MS	May-02-03