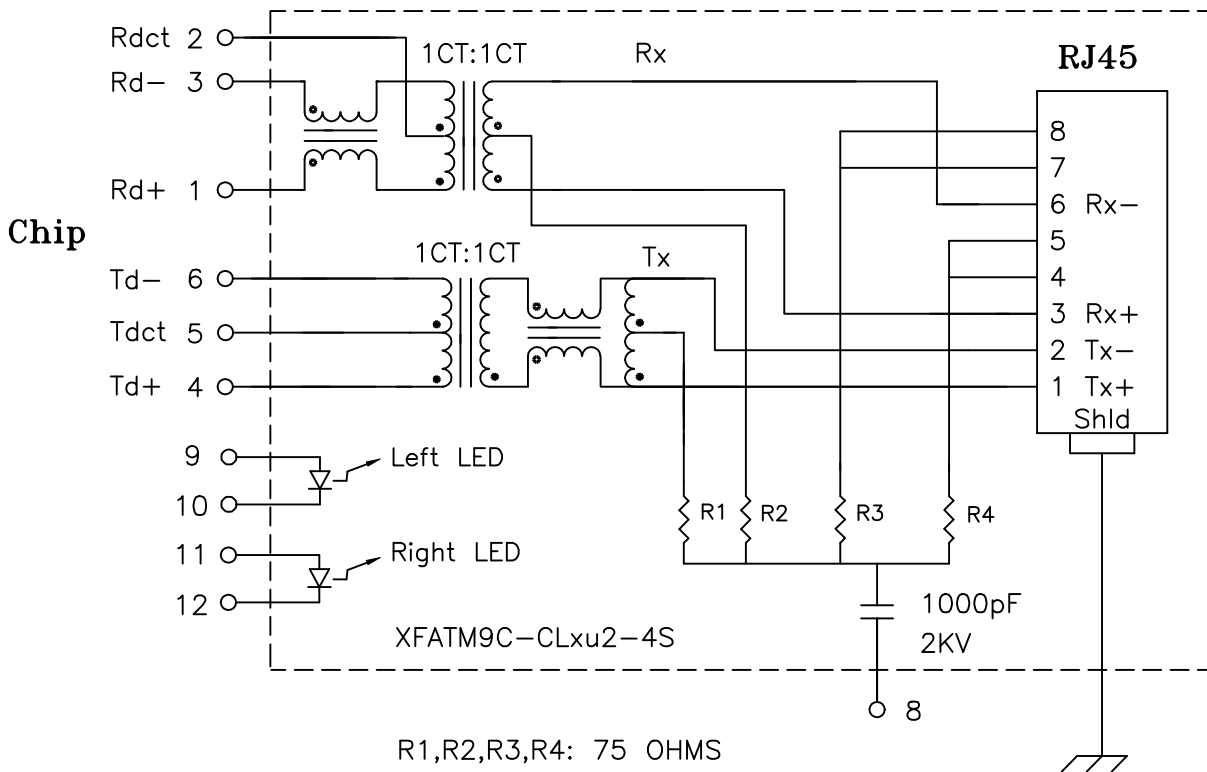


Schematic:



Electrical Specifications: @25°C

- Isolation Voltage: 1500 Vrms (Input to Output)
 Isolation Voltage: 500 Vrms (P1+2+3 to P4+5+6)
 Turns Ratio: TX 1CT:1CT $\pm 3\%$ RX 1CT:1CT $\pm 3\%$
 CABLE SIDE OCL: 350uH Minimum @100KHz 100mV 8mADC
 Cw/w: 27pF Typical @100KHz 100mV
 Insertion Loss (300KHz-100MHz): 1.0dB Max.
 Return Loss: @30MHz 18dB Minimum
 @80MHz 12dB Minimum

Notes:

- Solderability: Leads shall meet MIL-STD-202, Method 208D for solderability.
- Flammability: UL94V-0
- ASTM oxygen index: > 28%
- Operating Temperature Range: -40°C to +85°C

Complete the Combo P/N as follows:

Replace 'x' & 'u' in the part number with one of the five LED color letters:

'x' = Left LED Color
'u' = Right LED Color

Y=Yellow
G=Green
A=Amber
R=Red
YG=Yellow/Green Bicolor

DOC. REV: A/2

XFMRs Inc.

Title: **DUAL PORT COMBO**

UNLESS OTHERWISE SPECIFIED

P/N: XFATM9C-CLxu2-4S

REV. A

TOLERANCES:
.xxx ± 0.010

DWN.

廖玉坤

Aug-23-02

Dimensions in Inch

CHK.

李清儿

Aug-23-02

SHEET 1 OF 2

APP.

BW

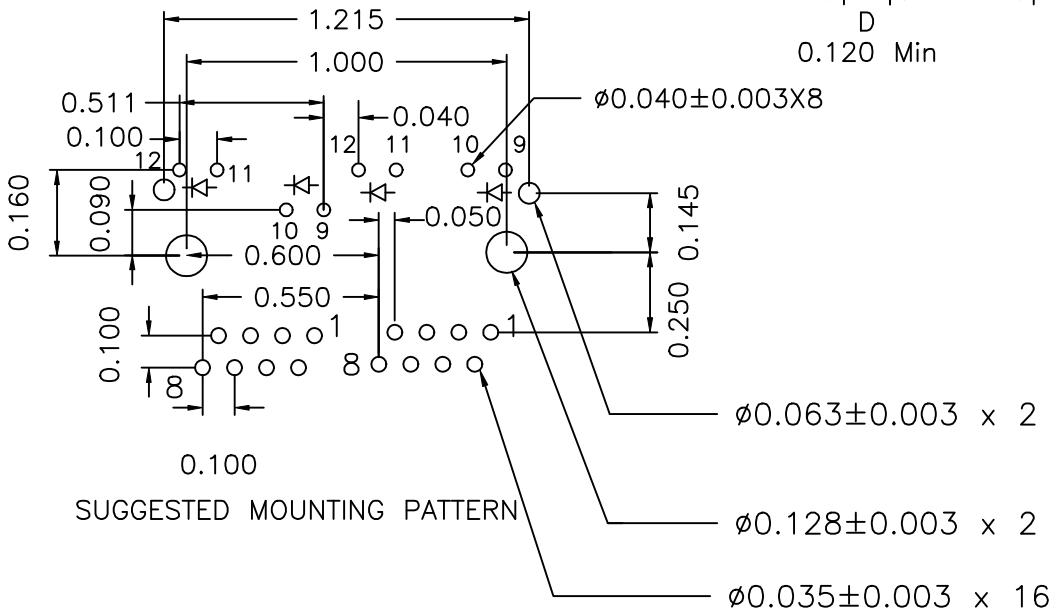
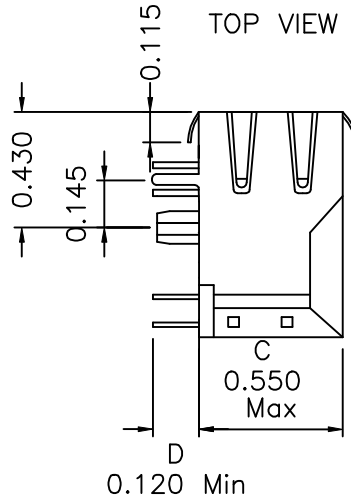
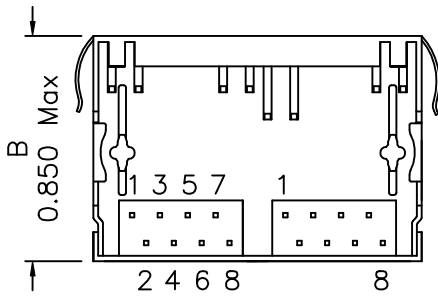
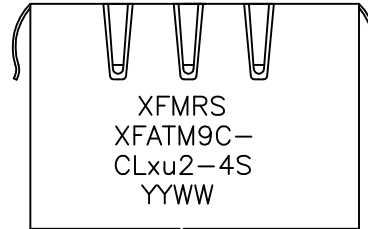
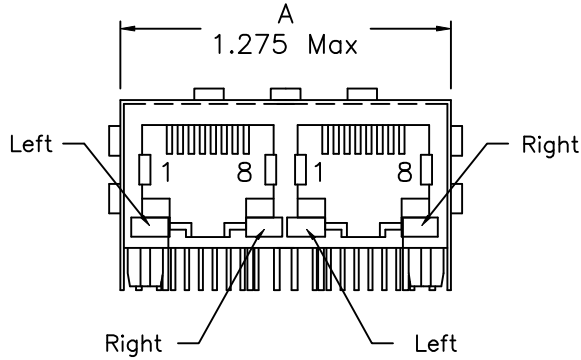
Aug-23-02

Mechanical Dimensions: (FOR CLxu2-4MS)

Complete the Combo P/N as follows:

Replace 'x' & 'u' in the part number with one of the five LED color letters:

- 'x' = Left LED Color
- 'u' = Right LED Color
- Y=Yellow
- G=Green
- A=Amber
- R=Red
- YG=Yellow/Green Bicolor



XFMR5 Inc.	Title: CLxu2-4S Combo Spec		
	UNLESS OTHERWISE SPECIFIED TOLERANCES: .xxx ±0.010	P/N: XFATM9C-CLxu2-4S	REV. A
Dimensions in Inch	DWN.	李小锋	Aug-19-02
	CHK.	廖玉坤	Aug-19-02
SHEET 2 OF 2	APP.	BW	Aug-19-02

DOC REV: A/2