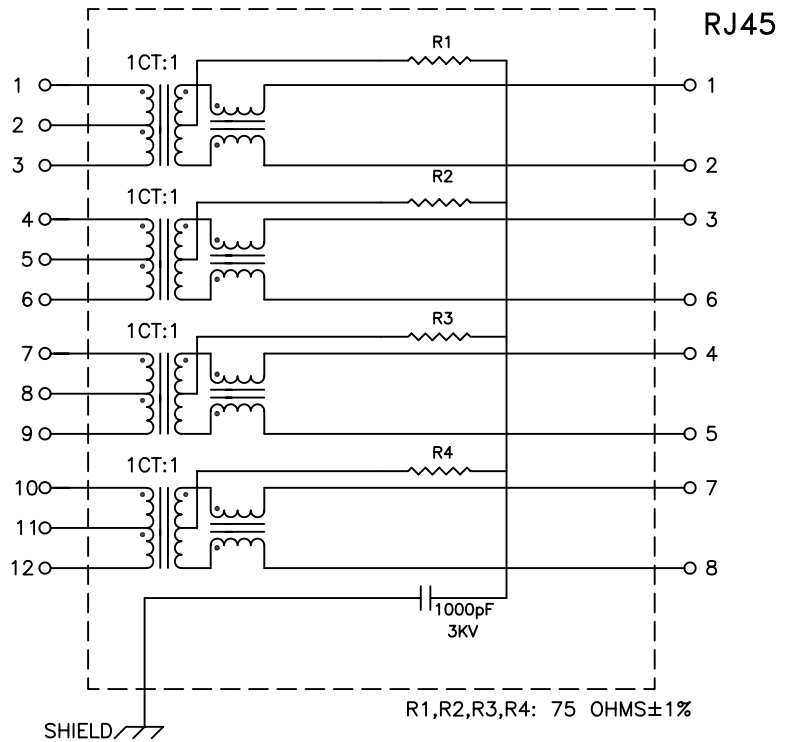


# Schematic:



**Notes:**

1. Solderability: Leads shall meet MIL-STD-202G, Method 208H for solderability.
2. Flammability: UL94V-0
3. ASTM oxygen index: > 28%
4. Insulation System: Class F 155°C. UL file E151556
5. Operating Temperature Range: All listed parameters are to be within tolerance from 0°C to +70°C
6. Storage Temperature Range: -55°C to +125°C
7. Aqueous wash compatible
8. SMD Lead Coplanarity: ±0.004"(0.102mm)
9. Electrical and mechanical specifications 100% tested
10. RoHS Compliant Component

ISOLATION: 1500 Vrms, 60 Sec

INSERTION LOSS: -1.0dB Max @1MHz  
 -0.5dB Max @2MHz-50MHz  
 -1.0dB Max @200MHz  
 -2.0dB Max @400MHz  
 -3.0dB Max @500MHz

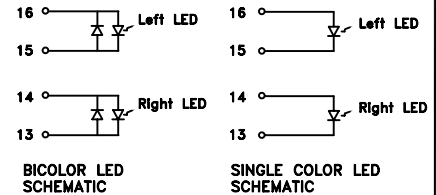
OCL: Pins 2-3,5-6,8-9,11-12 160uH Min @100KHz 0.1V for Each

RETURN LOSS: -18dB Min @1MHz  
 -13dB Min @2MHz-100MHz  
 -10dB Min @200MHz  
 -7dB Min @400MHz  
 -6dB Min @500MHz

CM TO DIFF.MODE Rejection Ratio: -30dB Max @50MHz  
 -30dB Max @100MHz  
 -30dB Max @200MHz  
 -22dB Max @300MHz  
 -22dB Max @400MHz  
 -22dB Max @500MHz

CM TO COMM. MODE Rejection Ratio: -30dB Max @50MHz  
 -30dB Max @100MHz  
 -30dB Max @200MHz  
 -22dB Max @300MHz  
 -21dB Max @400MHz  
 -20dB Max @500MHz

Turns Ratio: (2-3):(23-22)=1CT:1CT  
 (5-6):(20-19)=1CT:1CT  
 (8-9):(17-16)=1CT:1CT  
 (11-12):(14-13)=1CT:1CT



Complete the Combo P/N as follows:

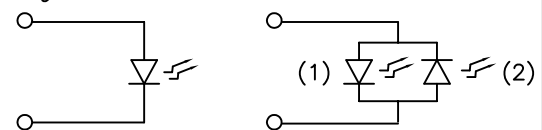
Replace 'x' & 'u' in the part number with one of the LED color letters:

Y=Yellow  
 G=Green  
 A=Amber  
 R=Red  
 'x' = Left LED Color  
 'u' = Right LED Color

C=Green(1)/Amber(2) Bicolor  
 D=Amber(1)/Green(2) Bicolor  
 M=Green(1)/Yellow(2) Bicolor  
 N=Yellow(1)/Green(2) Bicolor  
 P=Red(1)/Green(2) Bicolor  
 Q=Green(1)/Red(2) Bicolor

Single Color LED:

Bi-Color LED:



**XFMRs Inc**  
 www.XFMRS.com

Title:  
**SINGLE PORT COMBO w/LEDs**

UNLESS OTHERWISE SPECIFIED  
 TOLERANCES:  
 .xxx ±0.010

P/N:XF10G07C-CTxu1-4L

REV. A

Dimensions in Inch

DWN. Xiany

Oct-05-09

SHEET 1 OF 2

CHK. YK Liao

Oct-05-09

APP. BW

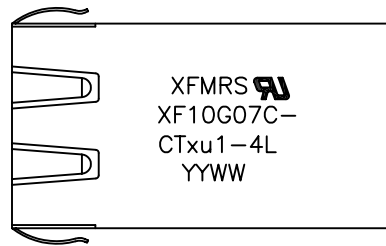
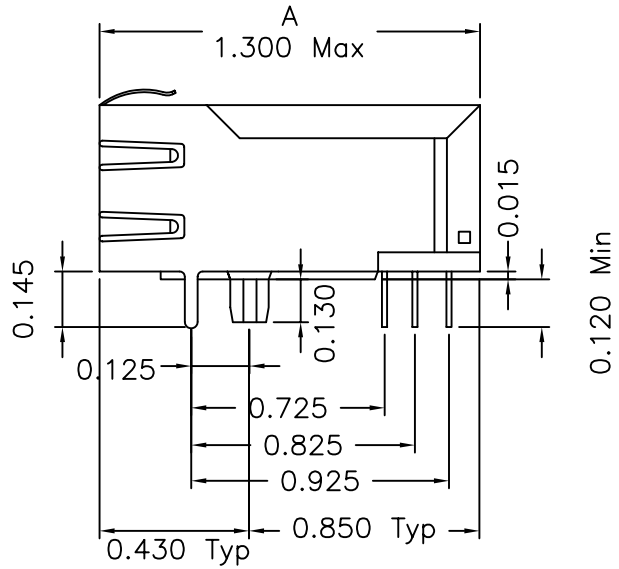
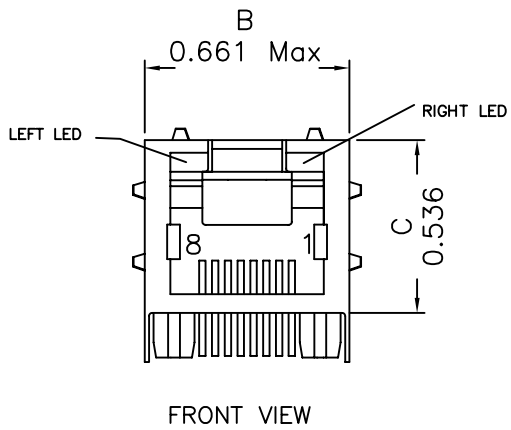
Oct-05-09

DOC. REV: A/1

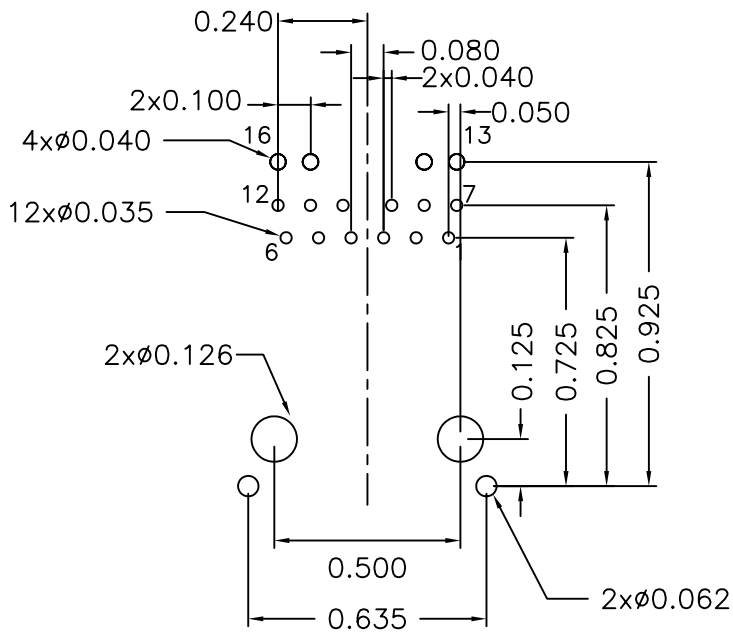
**PROPRIETARY:**

Document is the property of XFMRs Group & is not allowed to be duplicated without authorization.

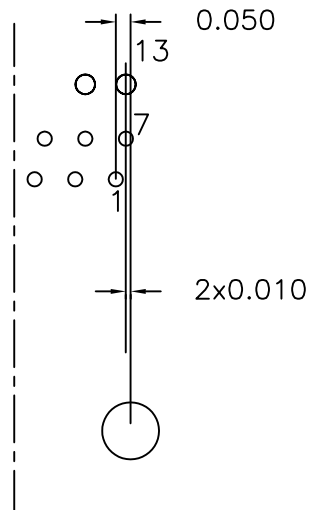
# Mechanical Dimensions:



## Mounting Pattern:



TOP VIEW



DOC REV: A/1

**XFMRSL Inc**  
www.XFMRSL.com

Title: Mechanical Dimensions  
For TAB UP RJ45 COMBO

UNLESS OTHERWISE SPECIFIED  
TOLERANCES:  
.xxx ±0.010  
Dimensions in Inch

P/N:XF10G07C-CTxu1-4L

REV. A

DWN.

Xian yi

Oct-05-09

CHK.

YK Liao

Oct-05-09

APP.

BW

Oct-05-09

**PROPRIETARY:**

Document is the property of XFMRSL Group & is not allowed to be duplicated without authorization.

SHEET 2 OF 2