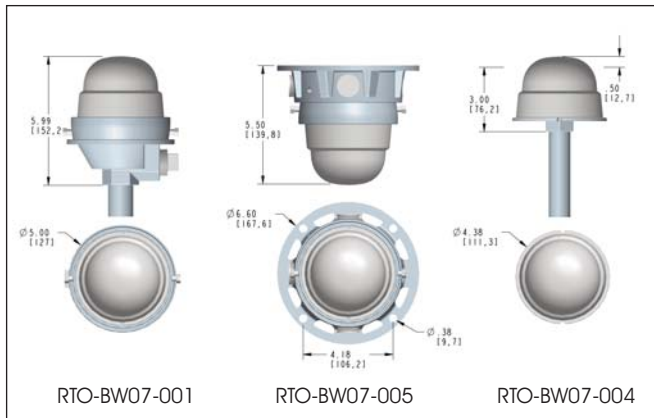




Shown with Junction Box
(RTO-BW07-001)

SafeSite® Series LED WHITE Visual Signal



Dimensions in Inches [mm]

Certifications & Ratings:

- ▷ Class I, Div. 2 Groups A,B,C,D Hazardous Environments T3C Rated
- ▷ Class II, Div. 2 Groups F,G
- ▷ UL1598, UL844, UL50, UL50E
- ▷ CSA C22.2 #250
- ▷ IP66, NEMA 4X

Features & Benefits:

- ▷ Low power consumption
- ▷ Instant on/off response
- ▷ Weather/corrosion resistant lamp assembly and housing
- ▷ Universal input (120-277 VAC), 50/60 Hz
- ▷ Resistant to shock and vibration
- ▷ 5 year warranty
- ▷ 70% lumen maintenance after 60,000 operating hours

Order Codes:

Part Number	Mounting
RTO-BW07-001	Downlight - Pendant Mount w/ Junction Box
RTO-BW07-004	Downlight only - Pendant Mount
RTO-BW07-005	Downlight - Ceiling Mount w/ Junction Box

Application:

Dialight introduces the new state-of-the-art fixture for industrial signal and emergency light. Its rugged solid state design creates a new era where failed lamps and expensive relamping costs become a thing of the past. The RTO series incorporates cutting edge LED technology and is the most efficient light source available for industrial lighting applications. Whether your application is in a refinery, oil platform, chemical plant or any other industrial application, this fixture offers improved performance across the board.

All of Dialight's long life LED luminaires are designed to meet the most demanding specification criteria while offering maximum energy savings, reduced maintenance costs, and a superior quality of light.

Mechanical Information:

Container Dimensions: 7.60" x 5.25" x 5.75"
193.04mm x 133.35 mm x 146.05mm

Container Weight: 2 lbs (0.91 kg)

Mounting:
Pendant Mount (-001) - 1" & 3/4" NPT reducer bi-directional mounting
Ceiling Mount (-005) - 3/4" NPT 5-way surface mounting
Pendant Mount (-004) - with 3/4" NPT threaded conduit

Electrical specifications:

Operating Voltage: 120-277 VAC, 50/60 Hz
250 VDC (Requires DC Line Fuse)

Power Consumption: 9W (nom)

Operating Temp: -40°F to +133°F (-40°C to +55°C)

Surge / Lightning Protection: 1 kV line to line
2 kV line to ground

THD: < 20 %

Power Factor: > 0.9

Material:

Housing: Diecast powder coat aluminum base

Lens: UV stabilized abrasion resistant polycarbonate

Photometric Information:

CRI: 70

CCT (Typ): 5100k

SafeSite® Series LED White Visual Signal Mounting Options



**Pendant Mount Configuration
RTO-BW07-001
(w/ Junction Box)**



**Ceiling Mount Configuration
RTO-BW07-005
(w/ Junction Box)**



**Pendant Mount Configuration
RTO-BW07-004**

Dialight reserves the right to make changes at any time in order to supply the best product possible.

The most current version of this document will always be available at:

www.dialight.com/Assets/Brochures_And_Catalogs/Illumination/MDTFWVSLX001.pdf

MDTFWVSLX001_A