

PLEASE CHECK WWW.MOLEX.COM FOR LATEST PART INFORMATION

Part Number: **0190220010**
Status: **Active**
Description: Krimptite™ Quick Disconnect, Male, for 18-22 (0.80-0.35) Wire, Mylar Tape, Tab 6.35mm (.250") x 0.81mm (.032")

Documents:

[Drawing \(PDF\)](#) [RoHS Certificate of Compliance \(PDF\)](#)

Agency Certification

CSA LR18689
 UL E32244

General

Product Family Quick Disconnects
 Series 19022
 Comments Economical
 Crimp Quality Equipment Yes
 Product Name Krimptite™
 Type Quick Disconnect

Physical

Barrel Type Closed
 Gender Male
 Glow-Wire Compliant No
 Insulation None
 Lock to Mating Part None
 Material - Metal Copper
 Orientation Straight
 Packaging Type Adhesive Tape on Reel
 Polarized to Mating Part No
 Tab Thickness 0.81mm (.032")
 Tab Width 6.35mm (.250")
 Temperature Range - Operating Per Wire Specification
 Wire Size AWG 18, 20, 22
 Wire Size mm² 0.35 - 0.80

Electrical

Voltage - Maximum Per Wire Specification

Material Info

Old Part Number AMCT-1T

Reference - Drawing Numbers

Sales Drawing SD-19022-006

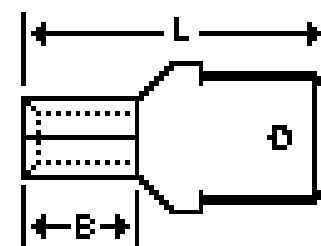


image - Reference only

—Series

EU RoHS

ELV and RoHS Compliant

REACH SVHC

Not Reviewed

Halogen-Free

Status

Not Reviewed

China RoHS



Need more information on product environmental compliance?

Email productcompliance@molex.com
 For a multiple part number RoHS Certificate of Compliance, [click here](#)

Please visit the [Contact Us](#) section for any non-product compliance questions.

Search Parts in this Series

19022Series

Application Tooling | FAQ

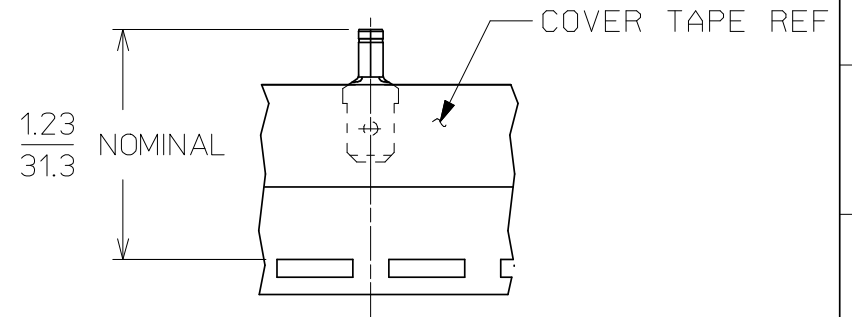
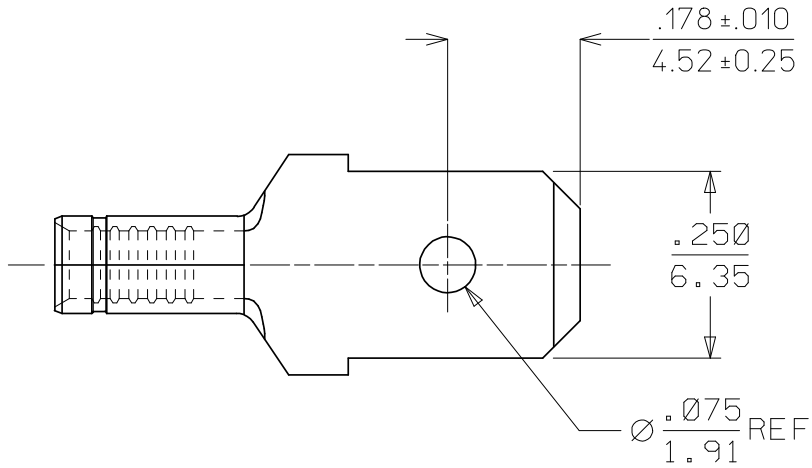
Tooling specifications and manuals are found by selecting the products below. Crimp Height Specifications are then contained in the Application Tooling Specification document.

Global

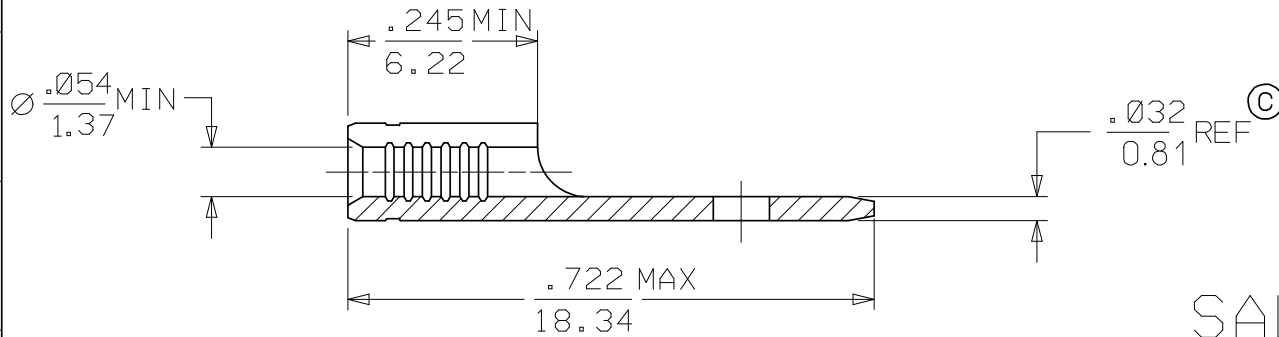
Description	Product #
ATP Perishable Tool Kit used in ATP presses that process product on tape	<u>0190270026</u>
Mini-Mac™ Applicator	<u>0638854500</u>

PLEASE CHECK WWW.MOLEX.COM FOR LATEST PART INFORMATION

13	12	11	10	9	8	7	6	5	4	3	2	1
MATERIAL NUMBER		ENGINEERING NUMBER	DESCRIPTION									
190220004		AMCT-I	ZINC CHROMATE PLATED									
190220010		AMCT-IT	ZINC CHROMATE PLATED, TAPE MOUNTED									



TAPE MOUNTING LOCATION FOR 190220010, AMCT-1T



SALES DRAWING

NOTES:

1. MATERIAL: BRASS ©
2. FINISH: SEE CHART
3. WIRE SIZE: 22-18 AWG (0.38 - 0.96 mm²)
4. TAB DIMENSIONS CONFORM TO UL310 SPECIFICATIONS.
5. PART IS ROHS COMPLIANT. ©

CHANGED MATL & FINISH EC NO: ETC2007-0081 DRAWN: HILE 2008/01/28 CHKD: JMACNEIL 2008/01/28 APPR: JMACNEIL 2008/02/13	QUALITY SYMBOLS ▼=0 ▽=0	GENERAL TOLERANCES (UNLESS SPECIFIED)		DIMENSION STYLE IN/MM		SCALE 4:1	DESIGN UNITS INCH	THIRD ANGLE PROJECTION	
		4 PLACES ± --- ± ---	BRE	DATE	1/07/02	TITLE MALE CONNECTOR TERMINAL .250 X .032 TAB KRIMPTITE			
		3 PLACES ± --- ± .005	CHECKED BY	DATE	1/07/02	MOLEX INCORPORATED			
		2 PLACES ± 0.13 ± .01	HEB	DATE	1/07/02	DOCUMENT NO. SD-19022-006 SHEET NO. 1 OF 1			
1 PLACE ± 0.25 ± ---	APPROVED BY	DATE	1/07/02	SEE CHART					
ANGULAR ± 1/2°		RWD	THIS DRAWING CONTAINS INFORMATION THAT IS PROPRIETARY TO MOLEX INCORPORATED AND SHOULD NOT BE USED WITHOUT WRITTEN PERMISSION						
DRAFT WHERE APPLICABLE MUST REMAIN WITHIN DIMENSIONS		MATERIAL NO.							