

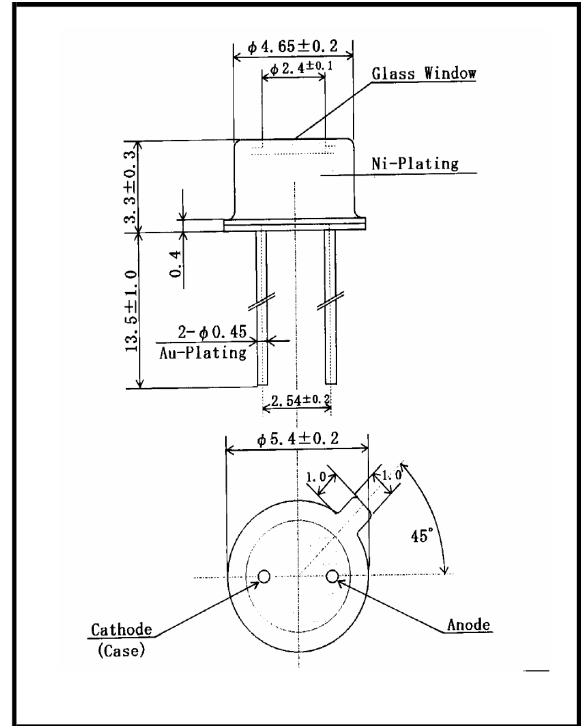
**MTPS4088WG**

**Features**

- Point Source LED
- High Output Power
- Small Temp Coefficient of PO
- High Reliability in Demanding Enviroments

**Applications**

- Optical Switches
- Optical Instruments



Dimensions (Unit:mm)

**Maximum Ratings (Ta=25°C)**

Characteristic	Symbol	Max.	Test Condition	Unit
Forward Current	I <sub>F</sub>	80	–	mA
Pulsed Forward Current	I <sub>FP</sub>	0.40	tw=10S, T=10μ S	A
Reverse Voltage	V <sub>R</sub>	5	–	V
Power Dissipation	P <sub>D</sub>	150.00	–	mW
Operating Temperature	T <sub>opr</sub>	-30 ~ +100	–	°C
Storage Temperature	T <sub>stg</sub>	-40 ~ +125	–	°C
Junction Temperature	T <sub>j</sub>	125	–	°C
Soldering Temperature	T <sub>sol</sub>	260	for 5 sec. max	°C

**Opto-Electrical Characteristics (Ta=25°C)**

Characteristic	Symbol	Test Condition	Min	Typ	Max	Unit
Forward Voltage	V <sub>F</sub>	I <sub>F</sub> =50mA	–	1.90	2.40	V
Reverse Current	I <sub>R</sub>	V <sub>R</sub> =5V	–	–	10	μA
Power Output	PO	I <sub>F</sub> =50mA	2.00	3.00	–	mW
Half Intensity Beam Angle	θ	–	–	± 50°	–	deg.
Peak Wavelength	λ <sub>p</sub>	I <sub>F</sub> =50mA	–	880	–	nm
Spectral Line Half Width	Δλ	I <sub>F</sub> =50mA	–	60	–	nm
Temp Coefficient of PO	P/T	I <sub>F</sub> =10mA	–	–.50	–	%/°C
Temp Coefficient of VF	V/T	I <sub>F</sub> =10mA	–	–2.30	–	mV/°C
Junction Capacitance	C <sub>j</sub>	1MHz, V=0V	–	40	–	pF

**MTPS4088WG Graphs**

