



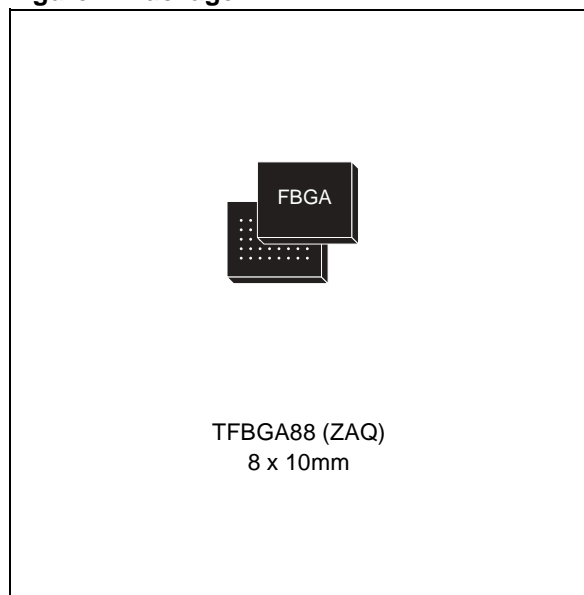
M30L0R7000T0 M30L0R7000B0

128 Mbit (8Mb x16, Multiple Bank, Multi-Level, Burst)
1.8V Supply Flash Memory

FEATURES SUMMARY

- SUPPLY VOLTAGE
 - $V_{DD} = 1.7V$ to $2.0V$ for program, erase and read
 - $V_{DDQ} = 1.7V$ to $2.0V$ for I/O Buffers
 - $V_{PP} = 9V$ for fast program (12V tolerant)
- SYNCHRONOUS / ASYNCHRONOUS READ
 - Synchronous Burst Read mode: 54MHz
 - Asynchronous Page Read mode
 - Random Access: 85ns
- SYNCHRONOUS BURST READ SUSPEND
- PROGRAMMING TIME
 - 10 μ s typical Word program time using Buffer Program
- MEMORY ORGANIZATION
 - Multiple Bank Memory Array: 8 Mbit Banks
 - Parameter Blocks (Top or Bottom location)
- DUAL OPERATIONS
 - program/erase in one Bank while read in others
 - No delay between read and write operations
- BLOCK LOCKING
 - All blocks locked at power-up
 - Any combination of blocks can be locked with zero latency
 - \overline{WP} for Block Lock-Down
 - Absolute Write Protection with $V_{PP} = V_{SS}$
- SECURITY
 - 64 bit unique device number
 - 2112 bit user programmable OTP Cells
- COMMON FLASH INTERFACE (CFI)
- 100,000 PROGRAM/ERASE CYCLES per BLOCK

Figure 1. Package



- ELECTRONIC SIGNATURE
 - Manufacturer Code: 20h
 - Top Device Code: 88C4h.
 - Bottom Device Code: 88C5h
- PACKAGE
 - Compliant with Lead-Free Soldering Processes
 - Lead-Free Versions

TABLE OF CONTENTS

FEATURES SUMMARY	1
Figure 1. Package	1
SUMMARY DESCRIPTION	6
Figure 2. Logic Diagram	7
Table 1. Signal Names	7
Figure 3. TFBGA Connections (Top view through package)	8
Table 2. Bank Architecture	9
Figure 4. Memory Map	9
SIGNAL DESCRIPTIONS	10
Address Inputs (A0-A22)	10
Data Input/Output (DQ0-DQ15)	10
Chip Enable (\bar{E})	10
Output Enable (\bar{G})	10
Write Enable (\bar{W})	10
Write Protect (\bar{WP})	10
Reset (\bar{RP})	10
Latch Enable (\bar{L})	10
Clock (K)	10
Wait (WAIT)	10
V _{DD} Supply Voltage	10
V _{DDQ} Supply Voltage	10
V _{PP} Program Supply Voltage	10
V _{SS} Ground	10
V _{SSQ} Ground	10
BUS OPERATIONS	11
Bus Read	11
Bus Write	11
Address Latch	11
Output Disable	11
Standby	11
Reset	11
Table 3. Bus Operations	11
COMMAND INTERFACE	12
Table 4. Command Codes	12
Read Array Command	12
Read Status Register Command	12
Read Electronic Signature Command	12
Read CFI Query Command	13
Clear Status Register Command	13

Block Erase Command	13
Program Command	13
Buffer Program Command	14
Buffer Enhanced Factory Program Command	14
Setup Phase	15
Program and Verify Phase	15
Exit Phase	15
Program/Erase Suspend Command	15
Program/Erase Resume Command	16
Protection Register Program Command	16
Set Configuration Register Command	16
Block Lock Command	17
Block Unlock Command	17
Block Lock-Down Command	17
Table 5. Standard Commands	18
Table 6. Factory Program Command	19
Table 7. Electronic Signature Codes	19
Figure 5. Protection Register Memory Map	20
Table 8. Protection Register Locks	21
STATUS REGISTER	22
Program/Erase Controller Status Bit (SR7)	22
Erase Suspend Status Bit (SR6)	22
Erase Status Bit (SR5)	22
Program Status Bit (SR4)	22
V _{PP} Status Bit (SR3)	22
Program Suspend Status Bit (SR2)	23
Block Protection Status Bit (SR1)	23
Bank Write/Multiple Word Program Status Bit (SR0)	23
Table 9. Status Register Bits	24
CONFIGURATION REGISTER	25
Read Select Bit (CR15)	25
X-Latency Bits (CR13-CR11)	25
Wait Polarity Bit (CR10)	25
Data Output Configuration Bit (CR9)	25
Wait Configuration Bit (CR8)	25
Burst Type Bit (CR7)	25
Valid Clock Edge Bit (CR6)	26
Wrap Burst Bit (CR3)	26
Burst length Bits (CR2-CR0)	26
Table 10. Configuration Register	27
Table 11. Burst Type Definition	28
Figure 6. X-Latency and Data Output Configuration Example	29
Figure 7. Wait Configuration Example	29

READ MODES	30
Asynchronous Read Mode	30
Synchronous Burst Read Mode	30
Synchronous Burst Read Suspend	30
Single Synchronous Read Mode	31
 DUAL OPERATIONS AND MULTIPLE BANK ARCHITECTURE	 32
Table 12. Dual Operations Allowed In Other Banks	32
Table 13. Dual Operations Allowed In Same Bank	32
 BLOCK LOCKING	 33
Reading a Block's Lock Status	33
Locked State	33
Unlocked State	33
Lock-Down State	33
Locking Operations During Erase Suspend	33
Table 14. Lock Status	34
 PROGRAM AND ERASE TIMES AND ENDURANCE CYCLES	 35
Table 15. Program, Erase Times and Endurance Cycles	35
 MAXIMUM RATING	 36
Table 16. Absolute Maximum Ratings	36
 DC and AC PARAMETERS	 37
Table 17. Operating and AC Measurement Conditions	37
Figure 8. AC Measurement I/O Waveform	37
Figure 9. AC Measurement Load Circuit	37
Table 18. Capacitance	37
Table 19. DC Characteristics - Currents	38
Table 20. DC Characteristics - Voltages	39
Figure 10. Asynchronous Random Access Read AC Waveforms	40
Figure 11. Asynchronous Page Read AC Waveforms	41
Table 21. Asynchronous Read AC Characteristics	42
Figure 12. Synchronous Burst Read AC Waveforms	43
Figure 13. Single Synchronous Read AC Waveforms	44
Figure 14. Synchronous Burst Read Suspend AC Waveforms	45
Figure 15. Clock input AC Waveform	46
Table 22. Synchronous Read AC Characteristics	46
Figure 16. Write AC Waveforms, Write Enable Controlled	47
Table 23. Write AC Characteristics, Write Enable Controlled	48
Figure 17. Write AC Waveforms, Chip Enable Controlled	49
Table 24. Write AC Characteristics, Chip Enable Controlled	50
Figure 18. Reset and Power-up AC Waveforms	51
Table 25. Reset and Power-up AC Characteristics	51

PACKAGE MECHANICAL	52
Figure 19.TFBGA88 8x10mm - 8x10 ball array, 0.8mm pitch, Bottom View Package Outline	52
Table 26. TFBGA88 8x10mm - 8x10 ball array, 0.8mm pitch, Package Mechanical Data	52
Figure 20.TFBGA88 Daisy Chain - Package Connections (Top view through package)	53
Figure 21.TFBGA88 Daisy Chain - PCB Connection Proposal (Top view through package)	54
PART NUMBERING	55
Table 27. Ordering Information Scheme	55
Table 28. Daisy Chain Ordering Scheme	56
APPENDIX A.BLOCK ADDRESS TABLES	57
Table 29. Top Boot Block Addresses, M30L0R7000T0.	57
Table 30. Bottom Boot Block Addresses, M30L0R7000B0	59
APPENDIX B.COMMON FLASH INTERFACE	61
Table 31. Query Structure Overview	61
Table 32. CFI Query Identification String.	61
Table 33. CFI Query System Interface Information	62
Table 34. Device Geometry Definition	63
Table 35. Primary Algorithm-Specific Extended Query Table	64
Table 36. Protection Register Information	65
Table 37. Burst Read Information	65
Table 38. Bank and Erase Block Region Information	66
Table 39. Bank and Erase Block Region 1 Information.	66
Table 40. Bank and Erase Block Region 2 Information.	67
APPENDIX C.FLOWCHARTS AND PSEUDO CODES	69
Figure 22.Program Flowchart and Pseudo Code	69
Figure 23.Buffer Program Flowchart and Pseudo Code	70
Figure 24.Program Suspend & Resume Flowchart and Pseudo Code	71
Figure 25.Block Erase Flowchart and Pseudo Code	72
Figure 26.Erase Suspend & Resume Flowchart and Pseudo Code	73
Figure 27.Locking Operations Flowchart and Pseudo Code	74
Figure 28.Protection Register Program Flowchart and Pseudo Code	75
Figure 29.Buffer Enhanced Factory Program Flowchart and Pseudo Code	76
APPENDIX D.COMMAND INTERFACE STATE TABLES	77
Table 41. Command Interface States - Modify Table, Next State	77
Table 42. Command Interface States - Modify Table, Next Output State	79
Table 43. Command Interface States - Lock Table, Next State	80
Table 44. Command Interface States - Lock Table, Next Output State.	81
REVISION HISTORY	82
Table 45. Document Revision History	82

SUMMARY DESCRIPTION

The M30L0R7000T0/B0 is a 128 Mbit (8Mbit x16) non-volatile Flash memory that may be erased electrically at block level and programmed in-system on a Word-by-Word basis using a 1.7V to 2.0V V_{DD} supply for the circuitry and a 1.7V to 2.0V V_{DDQ} supply for the Input/Output pins. An optional 9V V_{PP} power supply is provided to speed up factory programming.

The device features an asymmetrical block architecture and is based on a multi-level cell technology. M30L0R7000T0/B0 has an array of 131 blocks, and is divided into 8 Mbit banks. There are 15 banks each containing 8 main blocks of 64 KWords, and one parameter bank containing 4 parameter blocks of 16 KWords and 7 main blocks of 64 KWords. The Multiple Bank Architecture allows Dual Operations, while programming or erasing in one bank, read operations are possible in other banks. Only one bank at a time is allowed to be in program or erase mode. It is possible to perform burst reads that cross bank boundaries. The bank architecture is summarized in [Table 2.](#), and the memory maps are shown in [Figure 4.](#) The Parameter Blocks are located at the top of the memory address space for the M30L0R7000T0, and at the bottom for the M30L0R7000B0.

Each block can be erased separately. Erase can be suspended, in order to perform program in any other block, and then resumed. Program can be suspended to read data in any other block and then resumed. Each block can be programmed and erased over 100,000 cycles using the supply voltage V_{DD} . There is a Buffer Enhanced Factory programming command available to speed up programming.

Program and erase commands are written to the Command Interface of the memory. An internal Program/Erase Controller takes care of the timings necessary for program and erase operations. The end of a program or erase operation can be detected and any error conditions identified in the Status Register. The command set required to control the memory is consistent with JEDEC standards.

The device supports Synchronous Burst Read and Asynchronous Read from all blocks of the memory

array; at power-up the device is configured for Asynchronous Read. In Synchronous Burst Read mode, data is output on each clock cycle at frequencies of up to 54MHz. The Synchronous Burst Read operation can be suspended and resumed.

The device features an Automatic Standby mode. When the bus is inactive during Asynchronous Read operations, the device automatically switches to the Automatic Standby mode. In this condition the power consumption is reduced to the standby value and the outputs are still driven.

The M30L0R7000T0/B0 features an instant, individual block locking scheme that allows any block to be locked or unlocked with no latency, enabling instant code and data protection. All blocks have three levels of protection. They can be locked and locked-down individually preventing any accidental programming or erasure. There is an additional hardware protection against program and erase. When $V_{PP} \leq V_{PPLK}$ all blocks are protected against program or erase. All blocks are locked at power-up.

The device includes 17 Protection Registers and 2 Protection Register locks, one for the first Protection Register and the other for the 16 One-Time-Programmable (OTP) Protection Registers of 128 bits each. The first Protection Register is divided into two segments: a 64 bit segment containing a unique device number written by ST, and a 64 bit segment One-Time-Programmable (OTP) by the user. The user programmable segment can be permanently protected. [Figure 5.](#), shows the Protection Register Memory Map.

The memory is available in a TFBGA88, 8 x 10mm, 0.8mm pitch package.

In addition to the standard version, the packages are also available in Lead-free version, in compliance with JEDEC Std J-STD-020B, the ST ECO-PACK 7191395 Specification, and the RoHS (Restriction of Hazardous Substances) directive.

All packages are compliant with Lead-free soldering processes.

The memory is supplied with all the bits erased (set to '1').

Figure 2. Logic Diagram

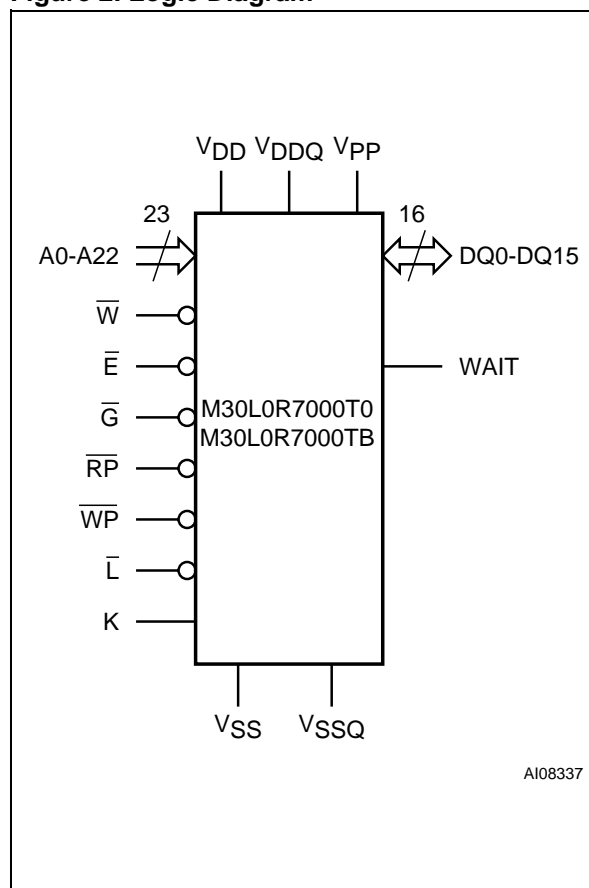
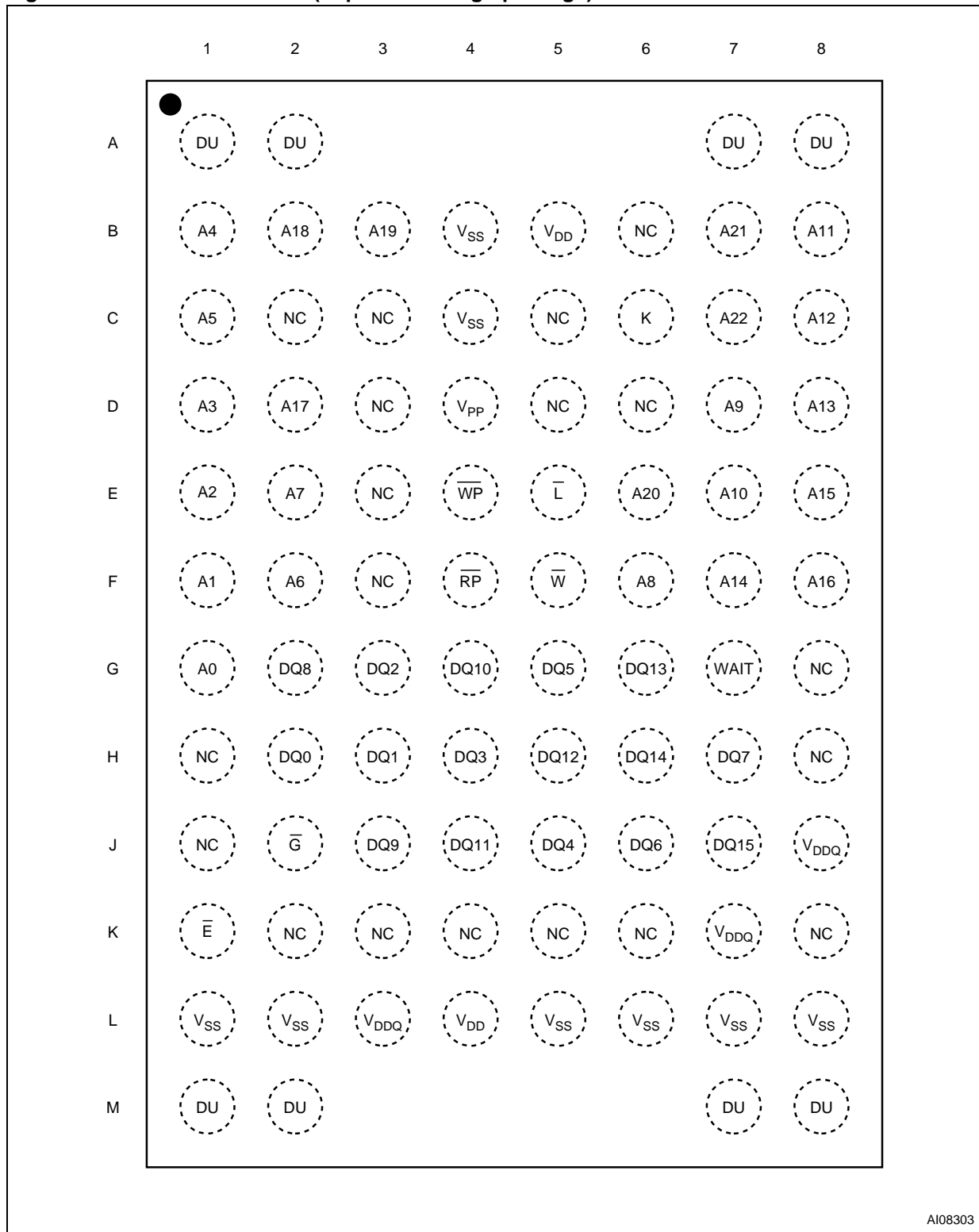


Table 1. Signal Names

A0-A22	Address Inputs
DQ0-DQ15	Data Input/Outputs, Command Inputs
\bar{E}	Chip Enable
\bar{G}	Output Enable
\bar{W}	Write Enable
\bar{RP}	Reset
\bar{WP}	Write Protect
K	Clock
\bar{L}	Latch Enable
WAIT	Wait
V_{DD}	Supply Voltage
V_{DDQ}	Supply Voltage for Input/Output Buffers
V_{PP}	Optional Supply Voltage for Fast Program & Erase
V_{SS}	Ground
V_{SSQ}	Ground Input/Output Supply
NC	Not Connected Internally
DU	Do Not Use

M30L0R7000T0, M30L0R7000B0

Figure 3. TFBGA Connections (Top view through package)

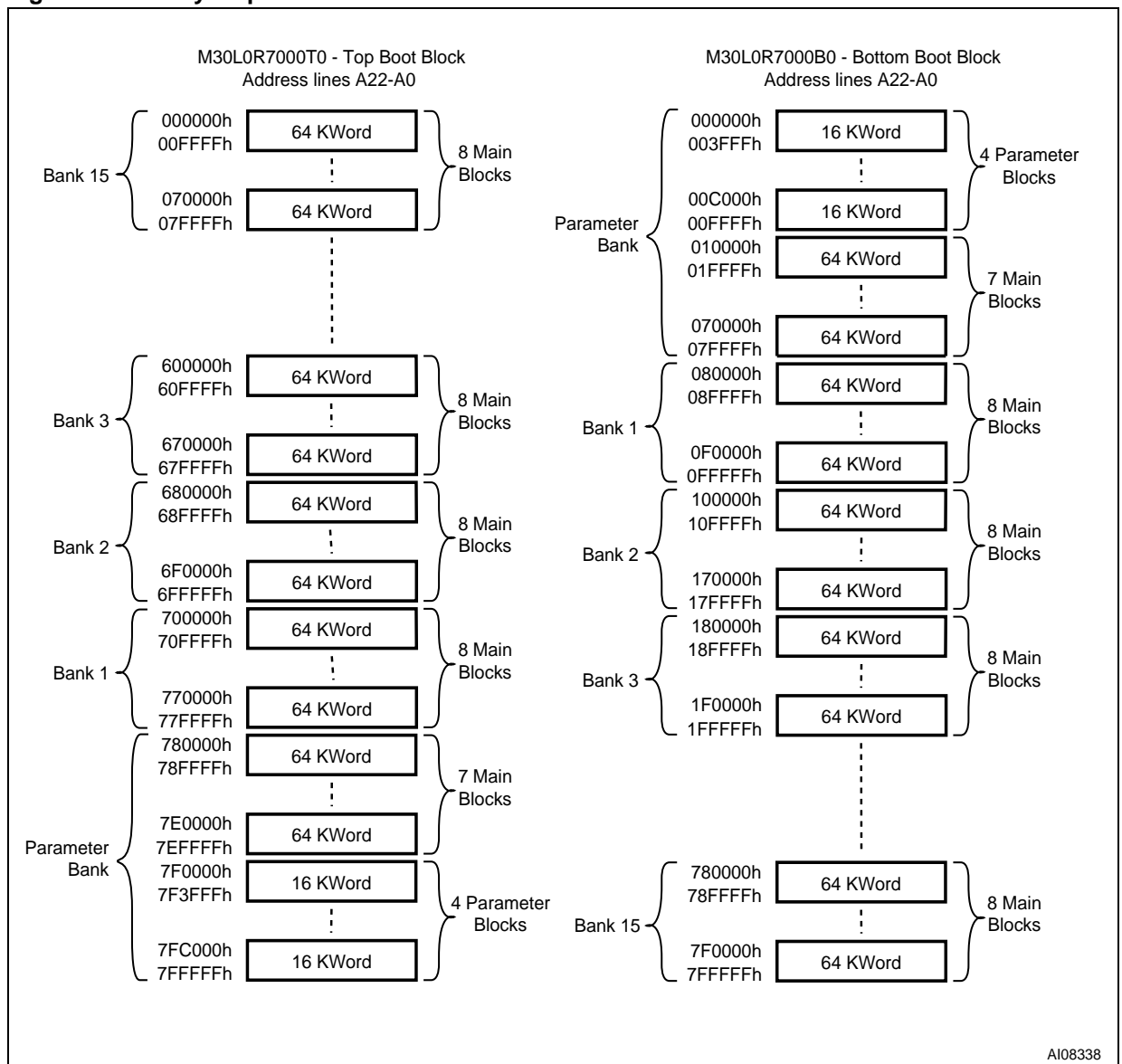


AI08303

Table 2. Bank Architecture

Number	Bank Size	Parameter Blocks	Main Blocks
Parameter Bank	8 Mbits	4 blocks of 16 KWords	7 blocks of 64 KWords
Bank 1	8 Mbits	-	8 blocks of 64 KWords
Bank 2	8 Mbits	-	8 blocks of 64 KWords
Bank 3	8 Mbits	-	8 blocks of 64 KWords
⋮	⋮	⋮	⋮
Bank 14	8 Mbits	-	8 blocks of 64 KWords
Bank 15	8 Mbits	-	8 blocks of 64 KWords

Figure 4. Memory Map



SIGNAL DESCRIPTIONS

See [Figure 2., Logic Diagram](#) and [Table 1., Signal Names](#), for a brief overview of the signals connected to this device.

Address Inputs (A0-A22). The Address Inputs select the cells in the memory array to access during Bus Read operations. During Bus Write operations they control the commands sent to the Command Interface of the internal state machine.

Data Input/Output (DQ0-DQ15). The Data I/O outputs the data stored at the selected address during a Bus Read operation or inputs a command or the data to be programmed during a Bus Write operation.

Chip Enable (\overline{E}). The Chip Enable input activates the memory control logic, input buffers, decoders and sense amplifiers. When Chip Enable is at V_{IL} and Reset is at V_{IH} the device is in active mode. When Chip Enable is at V_{IH} the memory is deselected, the outputs are high impedance and the power consumption is reduced to the stand-by level.

Output Enable (\overline{G}). The Output Enable controls data outputs during the Bus Read operation of the memory.

Write Enable (\overline{W}). The Write Enable controls the Bus Write operation of the memory's Command Interface. The data and address inputs are latched on the rising edge of Chip Enable or Write Enable whichever occurs first.

Write Protect (\overline{WP}). Write Protect is an input that gives an additional hardware protection for each block. When Write Protect is at V_{IL} , the Lock-Down is enabled and the protection status of the Locked-Down blocks cannot be changed. When Write Protect is at V_{IH} , the Lock-Down is disabled and the Locked-Down blocks can be locked or unlocked. (refer to [Table 14., Lock Status](#)).

Reset (RP). The Reset input provides a hardware reset of the memory. When Reset is at V_{IL} , the memory is in reset mode: the outputs are high impedance and the current consumption is reduced to the Reset Supply Current I_{DD2} . Refer to [Table 19., DC Characteristics - Currents](#), for the value of I_{DD2} . After Reset all blocks are in the Locked state and the Configuration Register is reset. When Reset is at V_{IH} , the device is in normal operation. Exiting reset mode the device enters asynchronous read mode, but a negative transition of Chip Enable or Latch Enable is required to ensure valid data outputs.

The Reset pin can be interfaced with 3V logic without any additional circuitry. It can be tied to V_{RPH} (refer to [Table 20., DC Characteristics - Voltages](#)).

Latch Enable (L). Latch Enable latches the address bits on its rising edge. The address

latch is transparent when Latch Enable is at V_{IL} and it is inhibited when Latch Enable is at V_{IH} . Latch Enable can be kept Low (also at board level) when the Latch Enable function is not required or supported.

Clock (K). The clock input synchronizes the memory to the microcontroller during synchronous read operations; the address is latched on a Clock edge (rising or falling, according to the configuration settings) when Latch Enable is at V_{IL} . Clock is ignored during asynchronous read and in write operations.

Wait (WAIT). Wait is an output signal used during synchronous read to indicate whether the data on the output bus are valid. This output is high impedance when Chip Enable is at V_{IH} , Output Enable is at V_{IH} , or Reset is at V_{IL} . It can be configured to be active during the wait cycle or one clock cycle in advance.

V_{DD} Supply Voltage. V_{DD} provides the power supply to the internal core of the memory device. It is the main power supply for all operations (Read, Program and Erase).

V_{DDQ} Supply Voltage. V_{DDQ} provides the power supply to the I/O pins and enables all Outputs to be powered independently from V_{DD} . V_{DDQ} can be tied to V_{DD} or can use a separate supply.

V_{PP} Program Supply Voltage. V_{PP} is both a control input and a power supply pin. The two functions are selected by the voltage range applied to the pin.

If V_{PP} is kept in a low voltage range (0V to V_{DDQ}) V_{PP} is seen as a control input. In this case a voltage lower than V_{PPLK} gives an absolute protection against program or erase, while $V_{PP} > V_{PP1}$ enables these functions (see [Tables 19 and 20, DC Characteristics](#) for the relevant values). V_{PP} is only sampled at the beginning of a program or erase; a change in its value after the operation has started does not have any effect and program or erase operations continue.

If V_{PP} is in the range of V_{PPH} it acts as a power supply pin. In this condition V_{PP} must be stable until the Program/Erase algorithm is completed.

V_{SS} Ground. V_{SS} ground is the reference for the core supply. It must be connected to the system ground.

V_{SSQ} Ground. V_{SSQ} ground is the reference for the input/output circuitry driven by V_{DDQ} . V_{SSQ} must be connected to V_{SS}

Note: Each device in a system should have V_{DD} , V_{DDQ} and V_{PP} decoupled with a 0.1 μ F ceramic capacitor close to the pin (high frequency, inherently low inductance capacitors

should be as close as possible to the package). See [Figure 9., AC Measurement Load Circuit](#). The PCB trace widths should be sufficient

to carry the required V_{PP} program and erase currents.

BUS OPERATIONS

There are six standard bus operations that control the device. These are Bus Read, Bus Write, Address Latch, Output Disable, Standby and Reset. See [Table 3., Bus Operations](#), for a summary.

Typically glitches of less than 5ns on Chip Enable or Write Enable are ignored by the memory and do not affect Bus Write operations.

Bus Read. Bus Read operations are used to output the contents of the Memory Array, the Electronic Signature, the Status Register and the Common Flash Interface. Both Chip Enable and Output Enable must be at V_{IL} in order to perform a read operation. The Chip Enable input should be used to enable the device. Output Enable should be used to gate data onto the output. The data read depends on the previous command written to the memory (see Command Interface section). See [Figures 10, 11, 12 and 13 Read AC Waveforms](#), and [Tables 21 and 22 Read AC Characteristics](#), for details of when the output becomes valid.

Bus Write. Bus Write operations write Commands to the memory or latch Input Data to be programmed. A bus write operation is initiated when Chip Enable and Write Enable are at V_{IL} with Output Enable at V_{IH} . Commands, Input Data and Addresses are latched on the rising edge of Write Enable or Chip Enable, whichever occurs first. The addresses can also be latched prior to the write operation by toggling Latch Enable. In this case

the Latch Enable should be tied to V_{IH} during the bus write operation.

See [Figures 16 and 17, Write AC Waveforms](#), and [Tables 23 and 24, Write AC Characteristics](#), for details of the timing requirements.

Address Latch. Address latch operations input valid addresses. Both Chip enable and Latch Enable must be at V_{IL} during address latch operations. The addresses are latched on the rising edge of Latch Enable.

Output Disable. The outputs are high impedance when the Output Enable is at V_{IH} .

Standby. Standby disables most of the internal circuitry allowing a substantial reduction of the current consumption. The memory is in standby when Chip Enable and Reset are at V_{IH} . The power consumption is reduced to the standby level I_{DD4} and the outputs are set to high impedance, independently from the Output Enable or Write Enable inputs. If Chip Enable switches to V_{IH} during a program or erase operation, the device enters Standby mode when finished.

Reset. During Reset mode the memory is deselected and the outputs are high impedance. The memory is in Reset mode when Reset is at V_{IL} . The power consumption is reduced to the Standby level, independently from the Chip Enable, Output Enable or Write Enable inputs. If Reset is pulled to V_{SS} during a Program or Erase, this operation is aborted and the memory content is no longer valid.

Table 3. Bus Operations

Operation	\bar{E}	\bar{G}	\bar{W}	\bar{L}	\bar{RP}	WAIT ⁽⁴⁾	DQ15-DQ0
Bus Read	V_{IL}	V_{IL}	V_{IH}	$V_{IL}^{(2)}$	V_{IH}		Data Output
Bus Write	V_{IL}	V_{IH}	V_{IL}	$V_{IL}^{(2)}$	V_{IH}		Data Input
Address Latch	V_{IL}	X	V_{IH}	V_{IL}	V_{IH}		Data Output or Hi-Z ⁽³⁾
Output Disable	V_{IL}	V_{IH}	V_{IH}	X	V_{IH}	Hi-Z	Hi-Z
Standby	V_{IH}	X	X	X	V_{IH}	Hi-Z	Hi-Z
Reset	X	X	X	X	V_{IL}	Hi-Z	Hi-Z

Note: 1. X = Don't care.

2. L can be tied to V_{IH} if the valid address has been previously latched.

3. Depends on \bar{G} .

4. WAIT signal polarity is configured using the Set Configuration Register command.

COMMAND INTERFACE

All Bus Write operations to the memory are interpreted by the Command Interface. Commands consist of one or more sequential Bus Write operations. An internal Program/Erase Controller handles all timings and verifies the correct execution of the program and erase commands. The Program/Erase Controller provides a Status Register whose output may be read at any time to monitor the progress or the result of the operation.

The Command Interface is reset to read mode when power is first applied, when exiting from Reset or whenever V_{DD} is lower than V_{LKO} . Command sequences must be followed exactly. Any invalid combination of commands will be ignored.

Refer to [Table 4., Command Codes](#), [Table 5., Standard Commands](#), and [Table 6., Factory Program Command](#), for a summary of the Command Interface.

Table 4. Command Codes

Hex Code	Command
01h	Block Lock Confirm
03h	Set Configuration Register Confirm
10h	Alternative Program Setup
20h	Block Erase Setup
2Fh	Block Lock-Down Confirm
40h	Program Setup
50h	Clear Status Register
60h	Block Lock Setup, Block Unlock Setup, Block Lock Down Setup and Set Configuration Register Setup
70h	Read Status Register
80h	Buffer Enhanced Factory Program
90h	Read Electronic Signature
98h	Read CFI Query
B0h	Program/Erase Suspend
C0h	Protection Register Program
D0h	Program/Erase Resume, Block Erase Confirm, Block Unlock Confirm or Buffer Program Confirm
E8h	Buffer Program
FFh	Read Array

Read Array Command

The Read Array command returns the addressed bank to Read Array mode.

One Bus Write cycle is required to issue the Read Array command. Once a bank is in Read Array mode, subsequent read operations will output the data from the memory array.

A Read Array command can be issued to any banks while programming or erasing in another bank.

If the Read Array command is issued to a bank currently executing a program or erase operation, the bank will return to Read Array mode but the program or erase operation will continue, however the data output from the bank is not guaranteed until the program or erase operation has finished. The read modes of other banks are not affected.

Read Status Register Command

The device contains a Status Register that is used to monitor program or erase operations.

The Read Status Register command is used to read the contents of the Status Register for the addressed bank.

One Bus Write cycle is required to issue the Read Status Register command. Once a bank is in Read Status Register mode, subsequent read operations will output the contents of the Status Register.

The Status Register data is latched on the falling edge of the Chip Enable or Output Enable signals. Either Chip Enable or Output Enable must be toggled to update the Status Register data.

The Read Status Register command can be issued at any time, even during program or erase operations. The Read Status Register command will only change the read mode of the addressed bank. The read modes of other banks are not affected. Only Asynchronous Read and Single Synchronous Read operations should be used to read the Status Register. A Read Array command is required to return the bank to Read Array mode.

See [Table 9.](#) for the description of the Status Register Bits.

Read Electronic Signature Command

The Read Electronic Signature command is used to read the Manufacturer and Device Codes, the Lock Status of the addressed bank, the Protection Register, and the Configuration Register.

One Bus Write cycle is required to issue the Read Electronic Signature command. Once a bank is in Read Electronic Signature mode, subsequent read operations in the same bank will output the Manufacturer Code, the Device Code, the Lock

Status of the addressed bank, the Protection Register, or the Configuration Register (see [Table 7.](#)). The Read Electronic Signature command can be issued at any time, even during program or erase operations, except during Protection Register Program operations.

If a Read Electronic Signature command is issued to a bank that is executing a program or erase operation the bank will go into Read Electronic Signature mode. Subsequent Bus Read cycles will output the Electronic Signature data and the Program/Erase controller will continue to program or erase in the background.

The Read Electronic Signature command will only change the read mode of the addressed bank. The read modes of other banks are not affected. Only Asynchronous Read and Single Synchronous Read operations should be used to read the Electronic Signature. A Read Array command is required to return the bank to Read Array mode.

Read CFI Query Command

The Read CFI Query command is used to read data from the Common Flash Interface (CFI).

One Bus Write cycle is required to issue the Read CFI Query command. Once a bank is in Read CFI Query mode, subsequent Bus Read operations in the same bank read from the Common Flash Interface.

The Read CFI Query command can be issued at any time, even during program or erase operations.

If a Read CFI Query command is issued to a bank that is executing a program or erase operation the bank will go into Read CFI Query mode. Subsequent Bus Read cycles will output the CFI data and the Program/Erase controller will continue to program or erase in the background.

The Read CFI Query command will only change the read mode of the addressed bank. The read modes of other banks are not affected. Only Asynchronous Read and Single Synchronous Read operations should be used to read from the CFI. A Read Array command is required to return the bank to Read Array mode.

See [APPENDIX B., COMMON FLASH INTERFACE](#), [Tables 31, 32, 33, 34, 35, 37, 38, 39](#) and [40](#) for details on the information contained in the Common Flash Interface memory area.

Clear Status Register Command

The Clear Status Register command can be used to reset (set to '0') all error bits (SR1, 3, 4 and 5) in the Status Register.

One Bus Write cycle is required to issue the Clear Status Register command. The Clear Status Register command does not change the read mode of the addressed bank.

The error bits in the Status Register do not automatically return to '0' when a new command is issued. The error bits in the Status Register should be cleared before attempting a new program or erase command.

Block Erase Command

The Block Erase command is used to erase a block. It sets all the bits within the selected block to '1'. All previous data in the block is lost.

If the block is protected then the erase operation will abort, the data in the block will not be changed and the Status Register will output the error.

Two Bus Write cycles are required to issue the command.

- The first bus cycle sets up the Block Erase command.
- The second latches the block address and starts the Program/Erase Controller.

If the second bus cycle is not the Block Erase Confirm code, Status Register bits SR4 and SR5 are set and the command is aborted.

Once the command is issued the bank enters Read Status Register mode and any read operation within the addressed bank will output the contents of the Status Register. A Read Array command is required to return the bank to Read Array mode.

During Block Erase operations the bank containing the block being erased will only accept the Read Array, Read Status Register, Read Electronic Signature, Read CFI Query and the Program/Erase Suspend command, all other commands will be ignored.

The Block Erase operation aborts if Reset, \overline{RP} , goes to V_{IL} . As data integrity cannot be guaranteed when the Block Erase operation is aborted, the block must be erased again.

Refer to Dual Operations section for detailed information about simultaneous operations allowed in banks not being erased.

Typical Erase times are given in [Table 15., Program, Erase Times and Endurance Cycles.](#)

See [APPENDIX C., Figure 25., Block Erase Flowchart and Pseudo Code](#), for a suggested flowchart for using the Block Erase command.

Program Command

The program command is used to program a single Word to the memory array.

Two Bus Write cycles are required to issue the Program Command.

- The first bus cycle sets up the Program command.

- The second latches the address and data to be programmed and starts the Program/Erase Controller.

Once the programming has started, read operations in the bank being programmed output the Status Register content.

During a Program operation, the bank containing the Word being programmed will only accept the Read Array, Read Status Register, Read Electronic Signature, Read CFI Query and the Program/Erase Suspend command, all other commands will be ignored. A Read Array command is required to return the bank to Read Array mode.

Refer to Dual Operations section for detailed information about simultaneous operations allowed in banks not being programmed.

Typical Program times are given in [Table 15., Program, Erase Times and Endurance Cycles.](#)

The Program operation aborts if Reset, \overline{RP} , goes to V_{IL} . As data integrity cannot be guaranteed when the Program operation is aborted, the Word must be reprogrammed.

See [APPENDIX C., Figure 22., Program Flowchart and Pseudo Code](#), for the flowchart for using the Program command.

Buffer Program Command

The Buffer Program Command makes use of the device's 32-Word Write Buffer to speed up programming. Up to 32 Words can be loaded into the Write Buffer. The Buffer Program command dramatically reduces in-system programming time compared to the standard non-buffered Program command.

Four successive steps are required to issue the Buffer Program command.

1. The first Bus Write cycle sets up the Buffer Program command. The setup code can be addressed to any location within the targeted block.

After the first Bus Write cycle, read operations in the bank will output the contents of the Status Register. Status Register bit SR7 should be read to check that the buffer is available (SR7 = 1). If the buffer is not available (SR7 = 0), re-issue the Buffer Program command to update the Status Register contents.

2. The second Bus Write cycle sets up the number of Words to be programmed. Value n is written to the same block address, where $n+1$ is the number of Words to be programmed.
3. Use $n+1$ Bus Write cycles to load the address and data for each Word into the Write Buffer. Addresses must lie within the range from the start address to the start address + n .

Optimum performance is obtained when the start address corresponds to a 32 Word boundary. If the start address is not aligned to a 32 word boundary, the total programming time is doubled

4. The final Bus Write cycle confirms the Buffer Program command and starts the program operation.

All the addresses used in the Buffer Program operation must lie within the same block.

Invalid address combinations or failing to follow the correct sequence of Bus Write cycles will set an error in the Status Register and abort the operation without affecting the data in the memory array.

If the Status Register bits SR4 and SR5 are set to '1', the Buffer Program Command is not accepted. Clear the Status Register before re-issuing the command.

If the block being programmed is protected an error will be set in the Status Register and the operation will abort without affecting the data in the memory array.

During Buffer Program operations the bank being programmed will only accept the Read Array, Read Status Register, Read Electronic Signature, Read CFI Query and the Program/Erase Suspend command, all other commands will be ignored.

Refer to Dual Operations section for detailed information about simultaneous operations allowed in banks not being programmed.

See Appendix C, figure 27, Buffer Program Flowchart and Pseudo Code, for a suggested flowchart on using the Buffer Program command.

Buffer Enhanced Factory Program Command

The Buffer Enhanced Factory Program command has been specially developed to speed up programming in manufacturing environments where the programming time is critical.

It is used to program one or more Write Buffer(s) of 32 Words to a block. Once the device enters Buffer Enhanced Factory Program mode, the Write Buffer can be reloaded any number of times as long as the address remains within the same block. Only one block can be programmed at a time.

The use of the Buffer Enhanced Factory Program command requires certain operating conditions:

- V_{PP} must be set to V_{PPH}
- V_{DD} must be within operating range
- Ambient temperature, T_A must be $25^{\circ}\text{C} \pm 5^{\circ}\text{C}$
- The targeted block must be unlocked
- The start address must be aligned with the start of a 32 Word buffer boundary

- The address must remain the Start Address throughout programming.

Dual operations are not supported during the Buffer Enhanced Factory Program operation and the command cannot be suspended.

The Buffer Enhanced Factory Program Command consists of three phases: the Setup Phase, the Program and Verify Phase, and the Exit Phase. Please refer to Table 7. Factory Program Commands for detail information.

Refer to [Table 6., Factory Program Command](#), and [Figure 29., Buffer Enhanced Factory Program Flowchart and Pseudo Code](#).

Setup Phase. The Buffer Enhanced Factory Program command requires two Bus Write cycles to initiate the command.

- The first Bus Write cycle sets up the Buffer Enhanced Factory Program command.
- The second Bus Write cycle confirms the command.

After the confirm command is issued, read operations output the contents of the Status Register. The read Status Register command must not be issued as it will be interpreted as data to program. The Status Register P/E.C. Bit SR7 should be read to check that the P/E.C. is ready to proceed to the next phase.

If an error is detected, SR4 goes high (set to '1') and the Buffer Enhanced Factory Program operation is terminated. See Status Register section for details on the error.

Program and Verify Phase. The Program and Verify Phase requires 32 cycles to program the 32 Words to the Write Buffer. The data is stored sequentially, starting at the first address of the Write Buffer, until the Write Buffer is full (32 Words). To program less than 32 Words, the remaining Words should be programmed with FFFFh.

Three successive steps are required to issue and execute the Program and Verify Phase of the command.

1. Use one Bus Write operation to latch the Start Address and the first Word to be programmed. The Status Register Bank Write Status bit SR0 should be read to check that the P/E.C. is ready for the next Word.
2. Each subsequent Word to be programmed is latched with a new Bus Write operation. The address must remain the Start Address as the P/E.C. increments the address location. If any address that is not in the same block as the Start Address is given, the Program and Verify Phase terminates. Status Register bit SR0 should be read between each Bus Write cycle to check that the P/E.C. is ready for the next Word.

3. Once the Write Buffer is full, the data is programmed sequentially to the memory array. After the program operation the device automatically verifies the data and reprograms if necessary.

The Program and Verify phase can be repeated, without re-issuing the command, to program additional 32 Word locations as long as the address remains in the same block.

4. Finally, after all Words, or the entire block have been programmed, write one Bus Write operation to any address outside the block containing the Start Address, to terminate Program and Verify Phase.

Status Register bit SR0 must be checked to determine whether the program operation is finished. The Status Register may be checked for errors at any time but it must be checked after the entire block has been programmed.

Exit Phase. Status Register P/E.C. bit SR7 set to '1' indicates that the device has exited the Buffer Enhanced Factory Program operation and returned to Read Status Register mode. A full Status Register check should be done to ensure that the block has been successfully programmed. See the section on the Status Register for more details.

For optimum performance the Buffer Enhanced Factory Program command should be limited to a maximum of 100 program/erase cycles per block. If this limit is exceeded the internal algorithm will continue to work properly but some degradation in performance is possible. Typical program times are given in [Table 15.](#)

See [APPENDIX C., Figure 29., Buffer Enhanced Factory Program Flowchart and Pseudo Code](#), for a suggested flowchart on using the Buffer Enhanced Factory Program command.

Program/Erase Suspend Command

The Program/Erase Suspend command is used to pause a Program or Block Erase operation. The command can be addressed to any bank.

The Program/Erase Resume command is required to restart the suspended operation.

One bus write cycle is required to issue the Program/Erase Suspend command. Once the Program/Erase Controller has paused bits SR7, SR6 and/ or SR2 of the Status Register will be set to '1'.

The following commands are accepted during Program/Erase Suspend:

- Program/Erase Resume
- Read Array (data from erase-suspended block or program-suspended Word is not valid)
- Read Status Register
- Read Electronic Signature

- Read CFI Query.

Additionally, if the suspended operation was erase then the following commands are also accepted:

- Clear Status Register
- Program (except in erase-suspended block)
- Block Lock
- Block Lock-Down
- Block Unlock.

During an erase suspend the block being erased can be protected by issuing the Block Lock or Block Lock-Down commands. When the Program/Erase Resume command is issued the operation will complete.

It is possible to accumulate multiple suspend operations. For example: suspend an erase operation, start a program operation, suspend the program operation, then read the array.

If a Program command is issued during a Block Erase Suspend, the erase operation cannot be resumed until the program operation has completed.

The Program/Erase Suspend command does not change the read mode of the banks. If the suspended bank was in Read Status Register, Read Electronic signature or Read CFI Query mode the bank remains in that mode and outputs the corresponding data.

Refer to Dual Operations section for detailed information about simultaneous operations allowed during Program/Erase Suspend.

During a Program/Erase Suspend, the device can be placed in standby mode by taking Chip Enable to V_{IH} . Program/erase is aborted if Reset, RP, goes to V_{IL} .

See [APPENDIX C., Figure 24., Program Suspend & Resume Flowchart and Pseudo Code](#), and [Figure 26., Erase Suspend & Resume Flowchart and Pseudo Code](#), for flowcharts for using the Program/Erase Suspend command.

Program/Erase Resume Command

The Program/Erase Resume command is used to restart the program or erase operation suspended by the Program/Erase Suspend command. One Bus Write cycle is required to issue the command. The command can be issued to any address.

The Program/Erase Resume command does not change the read mode of the banks. If the suspended bank was in Read Status Register, Read Electronic signature or Read CFI Query mode the bank remains in that mode and outputs the corresponding data.

If a Program command is issued during a Block Erase Suspend, then the erase cannot be resumed until the program operation has completed.

See [APPENDIX C., Figure 24., Program Suspend & Resume Flowchart and Pseudo Code](#), and [Figure 26., Erase Suspend & Resume Flowchart and Pseudo Code](#), for flowcharts for using the Program/Erase Resume command.

Protection Register Program Command

The Protection Register Program command is used to program the user One-Time-Programmable (OTP) segments of the Protection Register and the two Protection Register Locks.

The device features 16 OTP segments of 128 bits and one OTP segment of 64 bits, as shown in [Figure 5., Protection Register Memory Map](#).

The segments are programmed one Word at a time. When shipped all bits in the segment are set to '1'. The user can only program the bits to '0'.

Two Bus Write cycles are required to issue the Protection Register Program command.

- The first bus cycle sets up the Protection Register Program command.
- The second latches the address and data to be programmed to the Protection Register and starts the Program/Erase Controller.

Read operations to the bank being programmed output the Status Register content after the program operation has started.

Attempting to program a previously protected Protection Register will result in a Status Register error.

The Protection Register Program cannot be suspended.

The two Protection Register Locks are used to protect the OTP segments from further modification. The protection of the OTP segments is not reversible. Refer to [Figure 5., Protection Register Memory Map](#), and [Table 8., Protection Register Locks](#), for details on the Lock bits.

See [APPENDIX C., Figure 28., Protection Register Program Flowchart and Pseudo Code](#), for a flowchart for using the Protection Register Program command.

Set Configuration Register Command

The Set Configuration Register command is used to write a new value to the Configuration Register.

Two Bus Write cycles are required to issue the Set Configuration Register command.

- The first cycle sets up the Set Configuration Register command and the address corresponding to the Configuration Register content.
- The second cycle writes the Configuration Register data and the confirm command.

The Configuration Register data must be written as an address during the bus write cycles, that is

A0 = CR0, A1 = CR1, ..., A15 = CR15. Addresses A16- A22 are ignored.

Once the Set Configuration Register command has been issued, read operations will output the array contents.

The Read Electronic Signature command is required to read the updated contents of the Configuration Register.

Block Lock Command

The Block Lock command is used to lock a block and prevent program or erase operations from changing the data in it. All blocks are locked after power-up or reset.

Two Bus Write cycles are required to issue the Block Lock command.

- The first bus cycle sets up the Block Lock command.
- The second Bus Write cycle latches the block address and locks the block.

The lock status can be monitored for each block using the Read Electronic Signature command. [Table 14.](#) shows the Lock Status after issuing a Block Lock command.

Once set, the Block Lock bits remain set until a hardware reset or power-down/power-up. They are cleared by a Block Unlock command.

Refer to the section, Block Locking, for a detailed explanation. See [APPENDIX C., Figure 27., Locking Operations Flowchart and Pseudo Code](#), for a flowchart for using the Lock command.

Block Unlock Command

The Block Unlock command is used to unlock a block, allowing the block to be programmed or erased.

Two Bus Write cycles are required to issue the Block Unlock command.

- The first bus cycle sets up the Block Unlock command.

- The second Bus Write cycle latches the block address and unlocks the block.

The lock status can be monitored for each block using the Read Electronic Signature command. [Table 14.](#) shows the protection status after issuing a Block Unlock command.

Refer to the section, Block Locking, for a detailed explanation and [APPENDIX C., Figure 27., Locking Operations Flowchart and Pseudo Code](#), for a flowchart for using the Block Unlock command.

Block Lock-Down Command

The Block Lock-Down command is used to lock-down a locked or unlocked block.

A locked-down block cannot be programmed or erased. The lock status of a locked-down block cannot be changed when WP is low, V_{IL} . When WP is high, V_{IH} , the lock-down function is disabled and the locked blocks can be individually unlocked by the Block Unlock command.

Two Bus Write cycles are required to issue the Block Lock-Down command.

- The first bus cycle sets up the Block Lock-Down command.
- The second Bus Write cycle latches the block address and locks-down the block.

The lock status can be monitored for each block using the Read Electronic Signature command.

Locked-Down blocks revert to the locked (and not locked-down) state when the device is reset on power-down. [Table 14.](#) shows the Lock Status after issuing a Block Lock-Down command.

Refer to the section, Block Locking, for a detailed explanation and [APPENDIX C., Figure 27., Locking Operations Flowchart and Pseudo Code](#), for a flowchart for using the Lock-Down command.

Table 5. Standard Commands

Commands	Cycles	Bus Operations					
		1st Cycle			2nd Cycle		
		Op.	Add	Data	Op.	Add	Data
Read Array	1+	Write	BKA	FFh	Read	WA	RD
Read Status Register	1+	Write	BKA	70h	Read	BKA ⁽²⁾	SRD
Read Electronic Signature	1+	Write	BKA	90h	Read	BKA ⁽²⁾	ESD
Read CFI Query	1+	Write	BKA	98h	Read	BKA ⁽²⁾	QD
Clear Status Register	1	Write	BKA	50h			
Block Erase	2	Write	BKA or BA ⁽³⁾	20h	Write	BA	D0h
Program	2	Write	BKA or WA ⁽³⁾	40h or 10h	Write	WA	PD
Buffer Program	n+4	Write	BA	E8h	Write	BA	n
		Write	PA ₁	PD ₁	Write	PA ₂	PD ₂
		Write	PA _{n+1}	PD _{n+1}	Write	X	D0h
Program/Erase Suspend	1	Write	X	B0h			
Program/Erase Resume	1	Write	X	D0h			
Protection Register Program	2	Write	PRA	C0h	Write	PRA	PRD
Set Configuration Register	2	Write	CRD	60h	Write	CRD	03h
Block Lock	2	Write	BKA or BA ⁽³⁾	60h	Write	BA	01h
Block Unlock	2	Write	BKA or BA ⁽³⁾	60h	Write	BA	D0h
Block Lock-Down	2	Write	BKA or BA ⁽³⁾	60h	Write	BA	2Fh

Note: 1. X = Don't Care, WA=Word Address in targeted bank, RD=Read Data, SRD=Status Register Data, ESD=Electronic Signature Data, QD=Query Data, BA=Block Address, BKA= Bank Address, PD=Program Data, PRA=Protection Register Address, PRD=Protection Register Data, CRD=Configuration Register Data.

2. Must be same bank as in the first cycle. The signature addresses are listed in [Table 7](#).

3. Any address within the bank can be used.

4. n+1 is the number of Words to be programmed.

Table 6. Factory Program Command

Command	Phase	Cycles	Bus Write Operations									
			1st		2nd		3rd		Final -1		Final	
			Add	Data	Add	Data	Add	Data	Add	Data	Add	Data
Buffer Enhanced Factory Program	Setup	2	BKA or WA ⁽⁴⁾	80h	WA ₁	D0h						
	Program/Verify ⁽³⁾	≥32	WA ₁	PD ₁	WA ₁	PD ₂	WA ₁	PD ₃	WA ₁	PD ₃₁	WA ₁	PD ₃₂
	Exit	1	NOT BA ₁ ⁽²⁾	X								

Note: 1. WA=Word Address in targeted bank, BKA= Bank Address, PD=Program Data, BA=Block Address, X = Don't Care.

2. WA₁ is the Start Address, NOT BA₁ = Not Block Address of WA₁.

3. The Program/Verify phase can be executed any number of times as long as the data is to be programmed to the same block.

4. Any address within the bank can be used.

Table 7. Electronic Signature Codes

Code		Address (h)	Data (h)
Manufacturer Code		Bank Address + 00	0020
Device Code	Top	Bank Address + 01	88C4
	Bottom	Bank Address + 01	88C5
Block Protection	Locked	Block Address + 02	0001
	Unlocked		0000
	Locked and Locked-Down		0003
	Unlocked and Locked-Down		0002
Configuration Register		Bank Address + 05	CR
Protection Register PR0 Lock	ST Factory Default	Bank Address + 80	0002
	OTP Area Permanently Locked		0000
Protection Register PR0		Bank Address + 81 Bank Address + 84	Unique Device Number
		Bank Address + 85 Bank Address + 88	OTP Area
Protection Register PR1 through PR16 Lock		Bank Address + 89	PRLD
Protection Registers PR1-PR16		Bank Address + 8A Bank Address + 109	OTP Area

Note: CR = Configuration Register, PRLD = Protection Register Lock Data.

Figure 5. Protection Register Memory Map

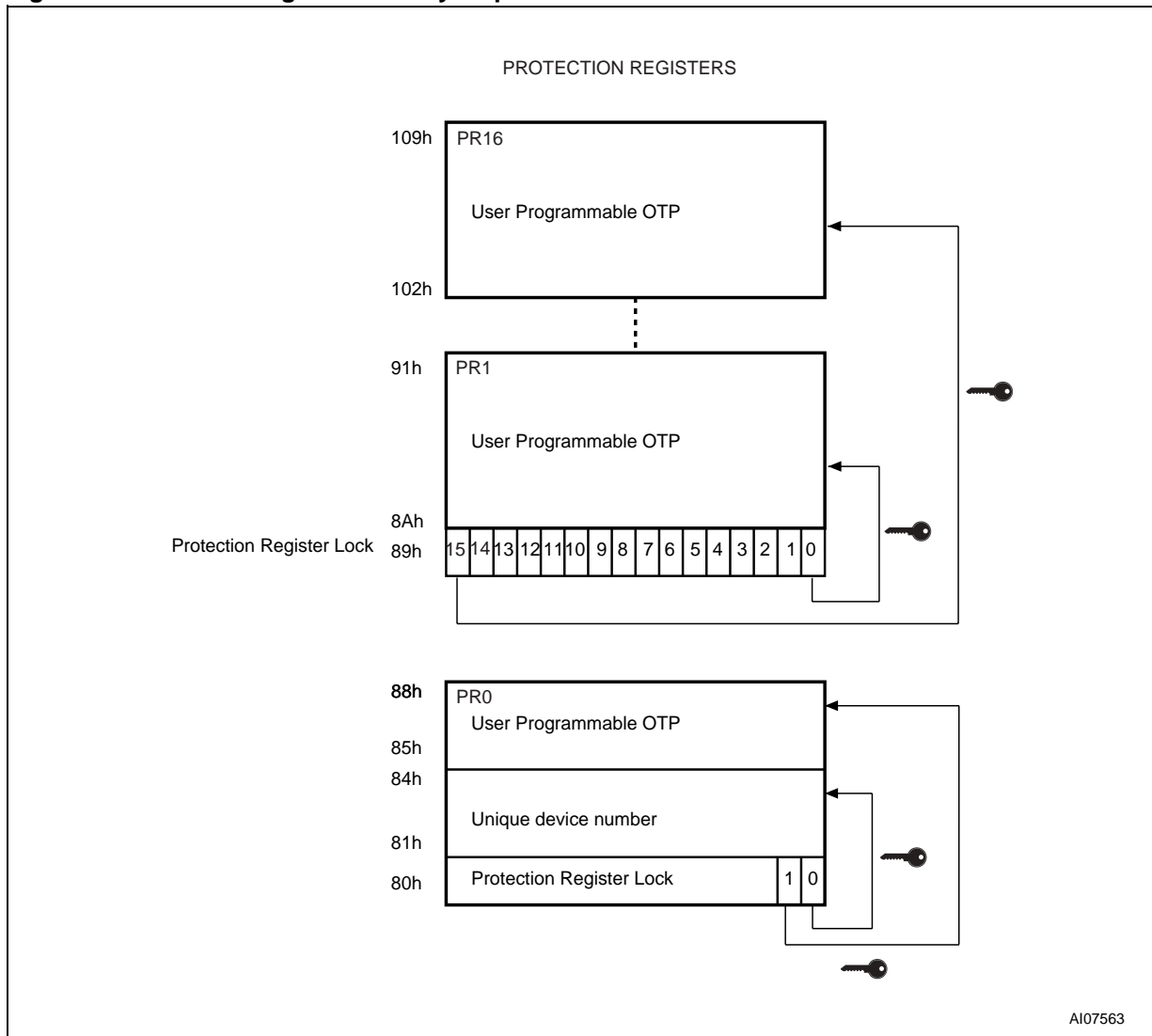


Table 8. Protection Register Locks

Lock			Description
Number	Address	Bits	
Lock 1	80h	Bit 0	preprogrammed to protect Unique Device Number, address 81h to 84h in PR0
		Bit 1	protects 64bits of OTP segment, address 85h to 88h in PR0
		Bits 2 to 15	reserved
Lock 2	89h	Bit 0	protects 128bits of OTP segment PR1
		Bit 1	protects 128bits of OTP segment PR2
		Bit 2	protects 128bits of OTP segment PR3
		⋮	⋮
		Bit 13	protects 128bits of OTP segment PR14
		Bit 14	protects 128bits of OTP segment PR15
		Bit 15	protects 128bits of OTP segment PR16

STATUS REGISTER

The Status Register provides information on the current or previous program or erase operations. Issue a Read Status Register command to read the contents of the Status Register, refer to Read Status Register Command section for more details. To output the contents, the Status Register is latched and updated on the falling edge of the Chip Enable or Output Enable signals and can be read until Chip Enable or Output Enable returns to V_{IH} . The Status Register can only be read using single Asynchronous or Single Synchronous reads. Bus Read operations from any address within the bank, always read the Status Register during program and erase operations.

The various bits convey information about the status and any errors of the operation. Bits SR7, SR6, SR2 and SR0 give information on the status of the device and are set and reset by the device. Bits SR5, SR4, SR3 and SR1 give information on errors, they are set by the device but must be reset by issuing a Clear Status Register command or a hardware reset. If an error bit is set to '1' the Status Register should be reset before issuing another command.

The bits in the Status Register are summarized in [Table 9., Status Register Bits](#). Refer to [Table 9.](#) in conjunction with the following text descriptions.

Program/Erase Controller Status Bit (SR7). The Program/Erase Controller Status bit indicates whether the Program/Erase Controller is active or inactive in any bank.

When the Program/Erase Controller Status bit is Low (set to '0'), the Program/Erase Controller is active; when the bit is High (set to '1'), the Program/Erase Controller is inactive, and the device is ready to process a new command.

The Program/Erase Controller Status bit is Low immediately after a Program/Erase Suspend command is issued until the Program/Erase Controller pauses. After the Program/Erase Controller pauses the bit is High.

Erase Suspend Status Bit (SR6). The Erase Suspend Status bit indicates that an erase operation has been suspended in the addressed block. When the Erase Suspend Status bit is High (set to '1'), a Program/Erase Suspend command has been issued and the memory is waiting for a Program/Erase Resume command.

The Erase Suspend Status bit should only be considered valid when the Program/Erase Controller Status bit is High (Program/Erase Controller inactive). SR6 is set within the Erase Suspend Latency time of the Program/Erase Suspend command being issued therefore the memory may still complete the operation rather than entering the Suspend mode.

When a Program/Erase Resume command is issued the Erase Suspend Status bit returns Low.

Erase Status Bit (SR5). The Erase Status bit is used to identify if there was an error during a block or bank erase operation. When the Erase Status bit is High (set to '1'), the Program/Erase Controller has applied the maximum number of pulses to the block or bank and still failed to verify that it has erased correctly.

The Erase Status bit should be read once the Program/Erase Controller Status bit is High (Program/Erase Controller inactive).

Once set High, the Erase Status bit must be set Low by a Clear Status Register command or a hardware reset before a new erase command is issued, otherwise the new command will appear to fail.

Program Status Bit (SR4). The Program Status bit is used to identify if there was an error during a program operation.

The Program Status bit should be read once the Program/Erase Controller Status bit is High (Program/Erase Controller inactive).

When the Program Status bit is High (set to '1'), the Program/Erase Controller has applied the maximum number of pulses to the Word and still failed to verify that it has programmed correctly.

Attempting to program a '1' to an already programmed bit while $V_{PP} = V_{PPH}$ will also set the Program Status bit High. If V_{PP} is different from V_{PPH} , SR4 remains Low (set to '0') and the attempt is not shown.

Once set High, the Program Status bit must be set Low by a Clear Status Register command or a hardware reset before a new program command is issued, otherwise the new command will appear to fail.

V_{PP} Status Bit (SR3). The V_{PP} Status bit is used to identify an invalid voltage on the V_{PP} pin during program and erase operations. The V_{PP} pin is only sampled at the beginning of a program or erase operation. Program and erase operations are not guaranteed if V_{PP} becomes invalid during an operation.

When the V_{PP} Status bit is Low (set to '0'), the voltage on the V_{PP} pin was sampled at a valid voltage. when the V_{PP} Status bit is High (set to '1'), the V_{PP} pin has a voltage that is below the V_{PP} Lockout Voltage, V_{PPLK} , the memory is protected and program and erase operations cannot be performed.

Once set High, the V_{PP} Status bit must be set Low by a Clear Status Register command or a hardware reset before a new program or erase command is issued, otherwise the new command will appear to fail.

Program Suspend Status Bit (SR2). The Program Suspend Status bit indicates that a program operation has been suspended in the addressed block. The Program Suspend Status bit should only be considered valid when the Program/Erase Controller Status bit is High (Program/Erase Controller inactive).

When the Program Suspend Status bit is High (set to '1'), a Program/Erase Suspend command has been issued and the memory is waiting for a Program/Erase Resume command.

SR2 is set within the Program Suspend Latency time of the Program/Erase Suspend command being issued therefore the memory may still complete the operation rather than entering the Suspend mode.

When a Program/Erase Resume command is issued the Program Suspend Status bit returns Low.

Block Protection Status Bit (SR1). The Block Protection Status bit is used to identify if a Program or Block Erase operation has tried to modify the contents of a locked block.

When the Block Protection Status bit is High (set to '1'), a program or erase operation has been attempted on a locked block.

Once set High, the Block Protection Status bit must be set Low by a Clear Status Register command or a hardware reset before a new program

or erase command is issued, otherwise the new command will appear to fail.

Bank Write/Multiple Word Program Status Bit (SR0). The Bank Write Status bit indicates whether the addressed bank is programming or erasing. In Buffer Enhanced Factory Program mode the Multiple Word Program bit shows if the device is ready to accept a new Word to be programmed to the memory array.

The Bank Write Status bit should only be considered valid when the Program/Erase Controller Status SR7 is Low (set to '0').

When both the Program/Erase Controller Status bit and the Bank Write Status bit are Low (set to '0'), the addressed bank is executing a program or erase operation. When the Program/Erase Controller Status bit is Low (set to '0') and the Bank Write Status bit is High (set to '1'), a program or erase operation is being executed in a bank other than the one being addressed.

In Buffer Enhanced Factory Program mode if Multiple Word Program Status bit is Low (set to '0'), the device is ready for the next Word, if the Multiple Word Program Status bit is High (set to '1') the device is not ready for the next Word.

For further details on how to use the Status Register, see the Flowcharts and Pseudocodes provided in [APPENDIX C](#).

Table 9. Status Register Bits

Bit	Name	Type	Logic Level	Definition	
SR7	P/E.C. Status	Status	'1'	Ready	
			'0'	Busy	
SR6	Erase Suspend Status	Status	'1'	Erase Suspended	
			'0'	Erase In progress or Completed	
SR5	Erase Status	Error	'1'	Erase Error	
			'0'	Erase Success	
SR4	Program Status	Error	'1'	Program Error	
			'0'	Program Success	
SR3	V _{PP} Status	Error	'1'	V _{PP} Invalid, Abort	
			'0'	V _{PP} OK	
SR2	Program Suspend Status	Status	'1'	Program Suspended	
			'0'	Program In Progress or Completed	
SR1	Block Protection Status	Error	'1'	Program/Erase on protected Block, Abort	
			'0'	No operation to protected blocks	
SR0	Bank Write Status	Status	'1'	SR7 = '1'	Not Allowed
				SR7 = '0'	Program or erase operation in a bank other than the addressed bank
			'0'	SR7 = '1'	No Program or erase operation in the device
				SR7 = '0'	Program or erase operation in addressed bank
	Multiple Word Program Status (Buffer Enhanced Factory Program mode)	Status	'1'	SR7 = '1'	Not Allowed
				SR7 = '0'	the device is NOT ready for the next Word
			'0'	SR7 = '1'	the device is exiting from BEFP
				SR7 = '0'	the device is ready for the next Word

Note: Logic level '1' is High, '0' is Low.

CONFIGURATION REGISTER

The Configuration Register is used to configure the type of bus access that the memory will perform. Refer to Read Modes section for details on read operations.

The Configuration Register is set through the Command Interface using the Set Configuration Register command. After a reset or power-up the device is configured for asynchronous read (CR15 = 1). The Configuration Register bits are described in [Table 10](#). They specify the selection of the burst length, burst type, burst X latency and the read operation. Refer to [Figures 6 and 7](#) for examples of synchronous burst configurations.

Read Select Bit (CR15)

The Read Select bit, CR15, is used to switch between Asynchronous and Synchronous Read operations.

When the Read Select bit is set to '1', read operations are asynchronous; when the Read Select bit is set to '0', read operations are synchronous.

Synchronous Burst Read is supported in both parameter and main blocks and can be performed across banks.

On reset or power-up the Read Select bit is set to '1' for asynchronous access (default).

X-Latency Bits (CR13-CR11)

The X-Latency bits are used during Synchronous Read operations to set the number of clock cycles between the address being latched and the first data becoming available.

For correct operation the X-Latency bits can only assume the values in [Table 10., Configuration Register](#).

The correspondence between X-Latency settings and the maximum sustainable frequency must be calculated taking into account some system parameters. Two conditions must be satisfied:

- Depending on whether t_{AVK_CPU} or t_{DELAY} is supplied either one of the following two equations must be satisfied:

$$(n + 1) t_K \geq t_{AVQV} - t_{AVK_CPU} + t_{QVK_CPU}$$

$$(n + 2) t_K \geq t_{AVQV} + t_{DELAY} + t_{QVK_CPU}$$

- and also

$$t_K > t_{KQV} + t_{QVK_CPU}$$

where

- n is the chosen X-Latency configuration code
- t_K is the clock period
- t_{AVK_CPU} is clock to address valid, \bar{L} Low, or \bar{E} Low, whichever occurs last
- t_{DELAY} is address valid, \bar{L} Low, or \bar{E} Low to clock, whichever occurs last

- t_{QVK_CPU} is the data setup time required by the system CPU,
- t_{KQV} is the clock to data valid time
- t_{AVQV} is the random access time of the device.

Refer to [Figure 6., X-Latency and Data Output Configuration Example](#).

Wait Polarity Bit (CR10)

The Wait Polarity bit is used to set the polarity of the Wait signal used in Synchronous Burst Read mode. During Synchronous Burst Read mode the Wait signal indicates whether the data output are valid or a WAIT state must be inserted.

When the Wait Polarity bit is set to '0' the Wait signal is active Low. When the Wait Polarity bit is set to '1' the Wait signal is active High (default).

Data Output Configuration Bit (CR9)

The Data Output Configuration bit is used to configure the output to remain valid for either one or two clock cycles during synchronous mode.

When the Data Output Configuration Bit is '0' the output data is valid for one clock cycle, when the Data Output Configuration Bit is '1' the output data is valid for two clock cycles.

The Data Output Configuration must be configured using the following condition:

- $t_K > t_{KQV} + t_{QVK_CPU}$

where

- t_K is the clock period
- t_{QVK_CPU} is the data setup time required by the system CPU
- t_{KQV} is the clock to data valid time.

If this condition is not satisfied, the Data Output Configuration bit should be set to '1' (two clock cycles). Refer to [Figure 6., X-Latency and Data Output Configuration Example](#).

Wait Configuration Bit (CR8)

The Wait Configuration bit is used to control the timing of the Wait output pin, WAIT, in Synchronous Burst Read mode.

When WAIT is asserted, Data is Not Valid and when WAIT is de-asserted, Data is Valid.

When the Wait Configuration bit is Low (set to '0') the Wait output pin is asserted during the wait state. When the Wait Configuration bit is High (set to '1') (default) the Wait output pin is asserted one clock cycle before the wait state.

Burst Type Bit (CR7)

The Burst Type bit determines the sequence of addresses read during Synchronous Burst Reads.

The Burst Type bit is High (set to '1'), as the memory outputs from sequential addresses only.

See [Table 11., Burst Type Definition](#), for the sequence of addresses output from a given starting address in sequential mode.

Valid Clock Edge Bit (CR6)

The Valid Clock Edge bit, CR6, is used to configure the active edge of the Clock, K, during synchronous read operations. When the Valid Clock Edge bit is Low (set to '0') the falling edge of the Clock is the active edge. When the Valid Clock Edge bit is High (set to '1') the rising edge of the Clock is the active edge.

Wrap Burst Bit (CR3)

The Wrap Burst bit, CR3, is used to select between wrap and no wrap. Synchronous burst reads can be confined inside the 4, 8 or 16 Word boundary (wrap) or overcome the boundary (no wrap).

When the Wrap Burst bit is Low (set to '0') the burst read wraps. When it is High (set to '1') the burst read does not wrap.

Burst length Bits (CR2-CR0)

The Burst Length bits are used to set the number of Words to be output during a Synchronous Burst

Read operation as result of a single address latch cycle.

They can be set for 4 Words, 8 Words, 16 Words or continuous burst, where all the Words are read sequentially. In continuous burst mode the burst sequence can cross bank boundaries.

In continuous burst mode, in 4, 8 or 16 Words no-wrap, depending on the starting address, the device asserts the WAIT signal to indicate that a delay is necessary before the data is output.

If the starting address is aligned to a 4 Word boundary no wait states are needed and the WAIT output is not asserted.

If the starting address is shifted by 1, 2 or 3 positions from the four word boundary, WAIT will be asserted for 1, 2 or 3 clock cycles when the burst sequence crosses the first 16 Word boundary, to indicate that the device needs an internal delay to read the successive Words in the array. WAIT will be asserted only once during a continuous burst access. See also [Table 11., Burst Type Definition](#).

CR14, CR5 and CR4 are reserved for future use.

Table 10. Configuration Register

Bit	Description	Value	Description
CR15	Read Select	0	Synchronous Read
		1	Asynchronous Read (Default at power-on)
CR14			Reserved
CR13-CR11	X-Latency	010	2 clock latency
		011	3 clock latency
		100	4 clock latency
		101	5 clock latency
		111	Reserved (default)
		Other configurations reserved	
CR10	Wait Polarity	0	WAIT is active Low
		1	WAIT is active high (default)
CR9	Data Output Configuration	0	Data held for one clock cycle
		1	Data held for two clock cycles (default)
CR8	Wait Configuration	0	WAIT is active during wait state
		1	WAIT is active one data cycle before wait state (default)
CR7	Burst Type	0	Reserved
		1	Sequential (default)
CR6	Valid Clock Edge	0	Falling Clock edge
		1	Rising Clock edge (default)
CR5-CR4			Reserved
CR3	Wrap Burst	0	Wrap
		1	No Wrap (default)
CR2-CR0	Burst Length	001	4 Words
		010	8 Words
		011	16 Words
		111	Continuous (default)

Table 11. Burst Type Definition

Mode	Start Add	4 Words	8 Words	16 Words	Continuous Burst	
		Sequential	Sequential	Sequential		
Wrap	0	0-1-2-3	0-1-2-3-4-5-6-7	0-1-2-3-4-5-6-7-8-9-10-11-12-13-14-15	0-1-2-3-4-5-6...	
	1	1-2-3-0	1-2-3-4-5-6-7-0	1-2-3-4-5-6-7-8-9-10-11-12-13-14-15-0	1-2-3-4-5-6-7...15-WAIT-16-17-18...	
	2	2-3-0-1	2-3-4-5-6-7-0-1	2-3-4-5-6-7-8-9-10-11-12-13-14-15-0-1	2-3-4-5-6-7...15-WAIT-WAIT-16-17-18...	
	3	3-0-1-2	3-4-5-6-7-0-1-2	3-4-5-6-7-8-9-10-11-12-13-14-15-0-1-2	3-4-5-6-7...15-WAIT-WAIT-WAIT-16-17-18...	
	...					
	7	7-4-5-6	7-0-1-2-3-4-5-6	7-8-9-10-11-12-13-14-15-0-1-2-3-4-5-6	7-8-9-10-11-12-13-14-15-WAIT-WAIT-WAIT-16-17...	
	...					
	12				12-13-14-15-16-17-18...	
	13				13-14-15-WAIT-16-17-18...	
	14				14-15-WAIT-WAIT-16-17-18....	
	15				15-WAIT-WAIT-WAIT-16-17-18...	
	No-wrap	0	0-1-2-3	0-1-2-3-4-5-6-7	0-1-2-3-4-5-6-7-8-9-10-11-12-13-14-15	Same as for Wrap (Wrap /No Wrap has no effect on Continuous Burst)
		1	1-2-3-4	1-2-3-4-5-6-7-8	1-2-3-4-5-6-7-8-9-10-11-12-13-14-15-WAIT-16	
		2	2-3-4-5	2-3-4-5-6-7-8-9...	2-3-4-5-6-7-8-9-10-11-12-13-14-15-WAIT-WAIT-16-17	
		3	3-4-5-6	3-4-5-6-7-8-9-10	3-4-5-6-7-8-9-10-11-12-13-14-15-WAIT-WAIT-WAIT-16-17-18	
...						
7		7-8-9-10	7-8-9-10-11-12-13-14	7-8-9-10-11-12-13-14-15-WAIT-WAIT-WAIT-16-17-18-19-20-21-22		
...						
12		12-13-14-15	12-13-14-15-16-17-18-19	12-13-14-15-16-17-18-19-20-21-22-23-24-25-26-27		
13		13-14-15-WAIT-16	13-14-15-WAIT-16-17-18-19-20	13-14-15-WAIT-16-17-18-19-20-21-22-23-24-25-26-27-28		
14		14-15-WAIT-WAIT-16-17	14-15-WAIT-WAIT-16-17-18-19-20-21	14-15-WAIT-WAIT-16-17-18-19-20-21-22-23-24-25-26-27-28-29		
15	15-WAIT-WAIT-WAIT-16-17-18	15-WAIT-WAIT-WAIT-16-17-18-19-20-21-22	15-WAIT-WAIT-WAIT-16-17-18-19-20-21-22-23-24-25-26-27-28-29-30			

Figure 6. X-Latency and Data Output Configuration Example

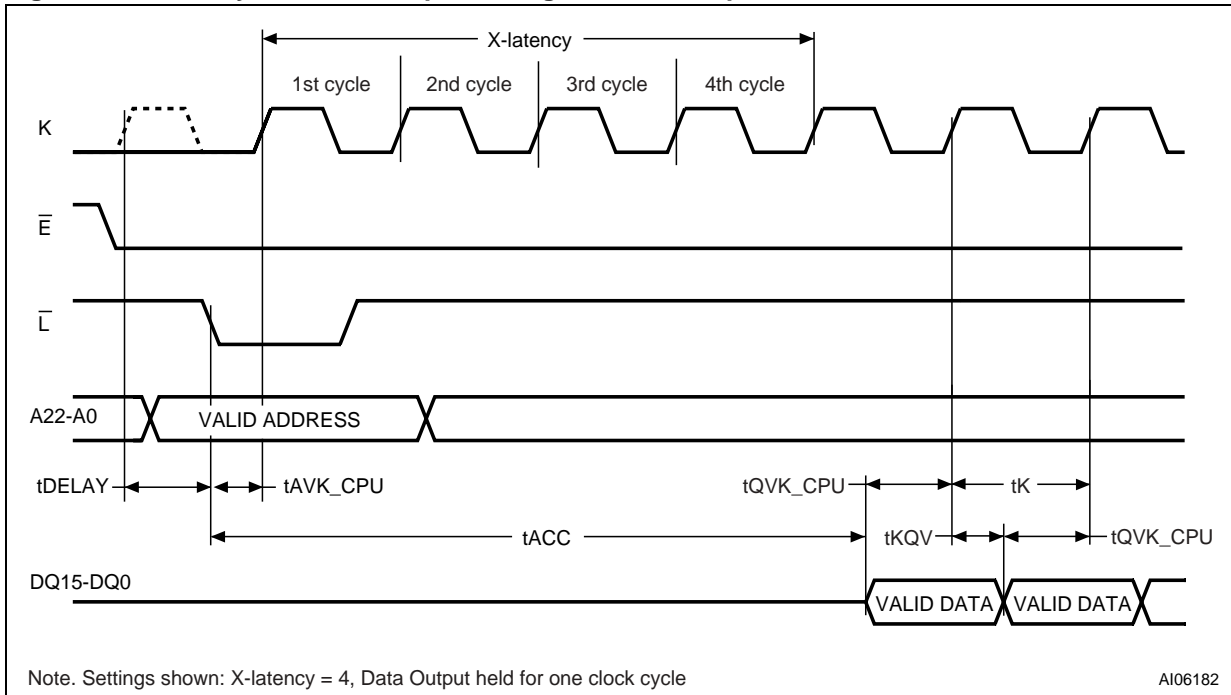
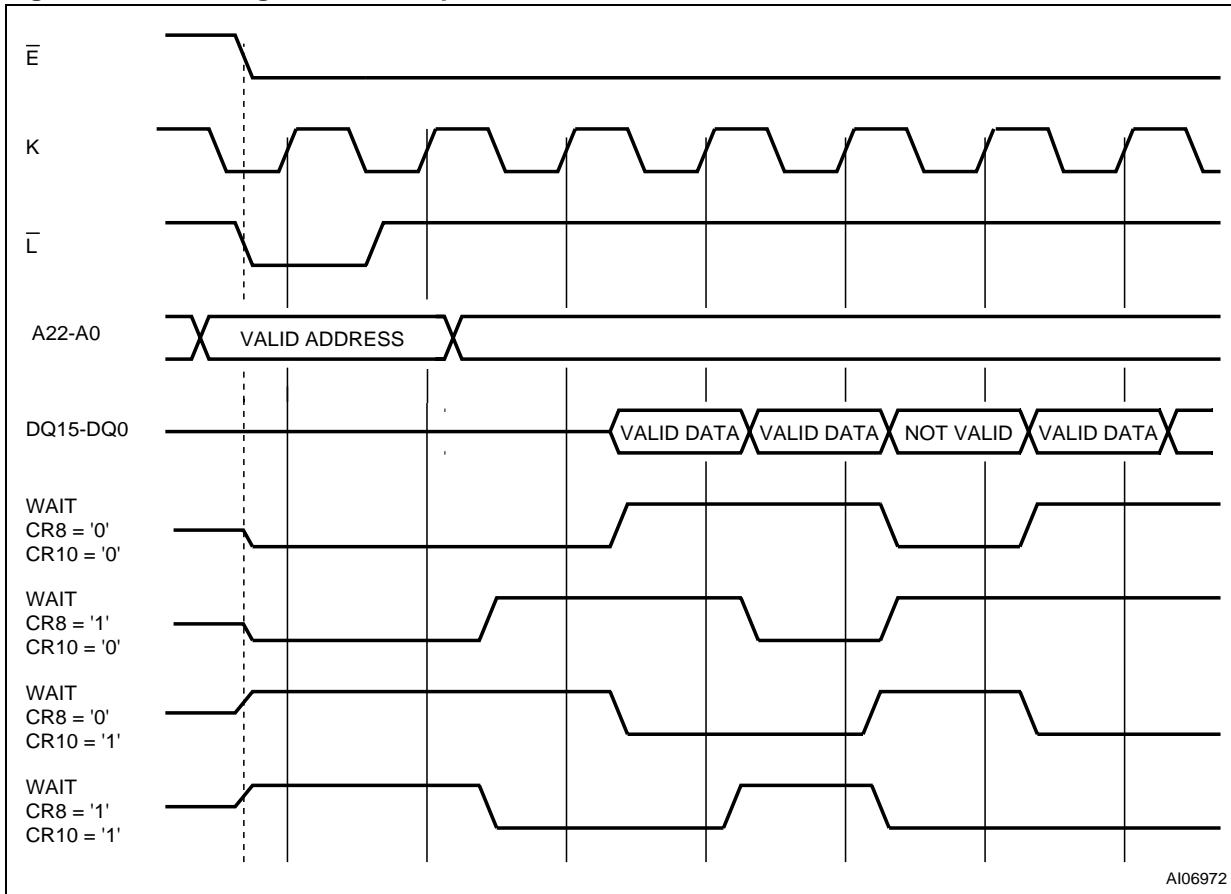


Figure 7. Wait Configuration Example



READ MODES

Read operations can be performed in two different ways depending on the settings in the Configuration Register. If the clock signal is 'don't care' for the data output, the read operation is asynchronous; if the data output is synchronized with clock, the read operation is synchronous.

The read mode and format of the data output are determined by the Configuration Register. (See Configuration Register section for details). All banks support both asynchronous and synchronous read operations.

Asynchronous Read Mode

In Asynchronous Read operations the clock signal is 'don't care'. The device outputs the data corresponding to the address latched, that is the memory array, Status Register, Common Flash Interface or Electronic Signature depending on the command issued. CR15 in the Configuration Register must be set to '1' for asynchronous operations.

Asynchronous Read operations can be performed in two different ways, Asynchronous Random Access Read and Asynchronous Page Read. Only Asynchronous Page Read takes full advantage of the internal page storage so different timings are applied.

In Asynchronous Read mode a Page of data is internally read and stored in a Page Buffer. The Page has a size of 4 Words and is addressed by address inputs A0 and A1.

The first read operation within the Page has a longer access time (t_{AVQV} , Random access time), subsequent reads within the same Page have much shorter access times (t_{AVQV1} , Page access time). If the Page changes then the normal, longer timings apply again.

The device features an Automatic Standby mode. During Asynchronous Read operations, after a bus inactivity of 150ns, the device automatically switches to the Automatic Standby mode. In this condition the power consumption is reduced to the standby value and the outputs are still driven.

In Asynchronous Read mode, the WAIT signal is always de-asserted.

See [Table 21., Asynchronous Read AC Characteristics](#), [Figure 10., Asynchronous Random Access Read AC Waveforms](#), and [Figure 11., Asynchronous Page Read AC Waveforms](#), for details.

Synchronous Burst Read Mode

In Synchronous Burst Read mode the data is output in bursts synchronized with the clock. It is possible to perform burst reads across bank boundaries.

Synchronous Burst Read mode can only be used to read the memory array. For other read operations, such as Read Status Register, Read CFI and Read Electronic Signature, Single Synchronous Read or Asynchronous Random Access Read must be used.

In Synchronous Burst Read mode the flow of the data output depends on parameters that are configured in the Configuration Register.

A burst sequence starts at the first clock edge (rising or falling depending on Valid Clock Edge bit CR6 in the Configuration Register) after the falling edge of Latch Enable or Chip Enable, whichever occurs last. Addresses are internally incremented and data is output on each data cycle after a delay which depends on the X latency bits CR13-CR11 of the Configuration Register.

The number of Words to be output during a Synchronous Burst Read operation can be configured as 4 Words, 8 Words, 16 Words or Continuous (Burst Length bits CR2-CR0). The data can be configured to remain valid for one or two clock cycles (Data Output Configuration bit CR9).

The order of the data output can be modified through the Wrap Burst bit in the Configuration Register. The burst sequence is sequential and can be confined inside the 4, 8 or 16 Word boundary (Wrap) or overcome the boundary (No Wrap).

The WAIT signal may be asserted to indicate to the system that an output delay will occur. This delay will depend on the starting address of the burst sequence and on the burst configuration.

WAIT is asserted during the X latency, the Wait state and at the end of a 4, 8 and 16 Word burst. It is only de-asserted when output data are valid. In Continuous Burst Read mode a Wait state will occur when crossing the first 16 Word boundary. If the burst starting address is aligned to a 4 Word Page, the Wait state will not occur.

The WAIT signal can be configured to be active Low or active High by setting CR10 in the Configuration Register.

See [Table 22., Synchronous Read AC Characteristics](#), and [Figure 12., Synchronous Burst Read AC Waveforms](#), for details.

Synchronous Burst Read Suspend. A Synchronous Burst Read operation can be suspended, freeing the data bus for other higher priority devices. It can be suspended during the initial access latency time (before data is output) in which case the initial latency time can be reduced to zero, or after the device has output data. When the Synchronous Burst Read operation is suspended, internal array sensing continues and any previously latched internal data is retained. A burst se-

quence can be suspended and resumed as often as required as long as the operating conditions of the device are met.

A Synchronous Burst Read operation is suspended when Chip Enable, \overline{E} , is Low and the current address has been latched (on a Latch Enable rising edge or on a valid clock edge). The Clock signal is then halted at V_{IH} or at V_{IL} , and Output Enable, \overline{G} , goes High.

When Output Enable, \overline{G} , becomes Low again and the Clock signal restarts, the Synchronous Burst Read operation is resumed exactly where it stopped.

WAIT will revert to high-impedance when Output Enable, \overline{G} , or Chip Enable, \overline{E} , goes High.

See [Table 22., Synchronous Read AC Characteristics](#), and [Figure 14., Synchronous Burst Read Suspend AC Waveforms](#), for details.

Single Synchronous Read Mode

Single Synchronous Read operations are similar to Synchronous Burst Read operations except that the memory outputs the same data to the end of the operation.

Synchronous Single Reads are used to read the Electronic Signature, Status Register, CFI, Block Protection Status, Configuration Register Status or Protection Register. When the addressed bank is in Read CFI, Read Status Register or Read Electronic Signature mode, the WAIT signal is asserted during the X latency, the Wait state and at the end of a 4, 8 and 16 Word burst. It is only deasserted when output data are valid.

See [Table 22., Synchronous Read AC Characteristics](#), and [Figure 12., Synchronous Burst Read AC Waveforms](#), for details.

DUAL OPERATIONS AND MULTIPLE BANK ARCHITECTURE

The Multiple Bank Architecture of the M30L0R7000T0/B0 gives greater flexibility for software developers to split the code and data spaces within the memory array. The Dual Operations feature simplifies the software management of the device by allowing code to be executed from one bank while another bank is being programmed or erased.

The Dual Operations feature means that while programming or erasing in one bank, read operations are possible in another bank with zero latency (only one bank at a time is allowed to be in program or erase mode).

If a read operation is required in a bank, which is programming or erasing, the program or erase operation can be suspended.

Also if the suspended operation was erase then a program command can be issued to another block, so the device can have one block in Erase Suspend mode, one programming and other banks in read mode.

Bus Read operations are allowed in another bank between setup and confirm cycles of program or erase operations.

By using a combination of these features, read operations are possible at any moment in the M30L0R7000T0/B0 device.

Tables 12 and 13 show the dual operations possible in other banks and in the same bank.

Table 12. Dual Operations Allowed In Other Banks

Status of bank	Commands allowed in another bank							
	Read Array	Read Status Register	Read CFI Query	Read Electronic Signature	Program, Buffer Program	Block Erase	Program/ Erase Suspend	Program/ Erase Resume
Idle	Yes	Yes	Yes	Yes	Yes	Yes	Yes	Yes
Programming	Yes	Yes	Yes	Yes	–	–	Yes	–
Erasing	Yes	Yes	Yes	Yes	–	–	Yes	–
Program Suspended	Yes	Yes	Yes	Yes	–	–	–	Yes
Erase Suspended	Yes	Yes	Yes	Yes	Yes	–	–	Yes

Table 13. Dual Operations Allowed In Same Bank

Status of bank	Commands allowed in same bank							
	Read Array	Read Status Register	Read CFI Query	Read Electronic Signature	Program, Buffer Program	Block Erase	Program/ Erase Suspend	Program/ Erase Resume
Idle	Yes	Yes	Yes	Yes	Yes	Yes	Yes	Yes
Programming	_(2)	Yes	Yes	Yes	–	–	Yes	–
Erasing	_(2)	Yes	Yes	Yes	–	–	Yes	–
Program Suspended	Yes ⁽¹⁾	Yes	Yes	Yes	–	–	–	Yes
Erase Suspended	Yes ⁽¹⁾	Yes	Yes	Yes	Yes ⁽¹⁾	–	–	Yes

Note: 1. Not allowed in the Block or Word that is being erased or programmed.

2. The Read Array command is accepted but the data output is not guaranteed until the Program or Erase has completed.

BLOCK LOCKING

The M30L0R7000T0/B0 features an instant, individual block locking scheme that allows any block to be locked or unlocked with no latency. This locking scheme has three levels of protection.

- Lock/Unlock - this first level allows software only control of block locking.
- Lock-Down - this second level requires hardware interaction before locking can be changed.
- $V_{PP} \leq V_{PPLK}$ - the third level offers a complete hardware protection against program and erase on all blocks.

The protection status of each block can be set to Locked, Unlocked, and Locked-Down. Table 14., defines all of the possible protection states (WP, DQ1, DQ0), and APPENDIX C., Figure 27., shows a flowchart for the locking operations.

Reading a Block's Lock Status

The lock status of every block can be read in the Read Electronic Signature mode of the device. To enter this mode issue the Read Electronic Signature command. Subsequent reads at the address specified in Table 7., will output the protection status of that block.

The lock status is represented by DQ0 and DQ1. DQ0 indicates the Block Lock/Unlock status and is set by the Lock command and cleared by the Unlock command. DQ0 is automatically set when entering Lock-Down. DQ1 indicates the Lock-Down status and is set by the Lock-Down command. DQ1 cannot be cleared by software, only by a hardware reset or power-down.

The following sections explain the operation of the locking system.

Locked State

The default status of all blocks on power-up or after a hardware reset is Locked (states (0,0,1) or (1,0,1)). Locked blocks are fully protected from program or erase operations. Any program or erase operations attempted on a locked block will return an error in the Status Register. The Status of a Locked block can be changed to Unlocked or Locked-Down using the appropriate software commands. An Unlocked block can be Locked by issuing the Lock command.

Unlocked State

Unlocked blocks (states (0,0,0), (1,0,0) (1,1,0)), can be programmed or erased. All unlocked blocks return to the Locked state after a hardware reset or when the device is powered-down. The status of an unlocked block can be changed to

Locked or Locked-Down using the appropriate software commands. A locked block can be unlocked by issuing the Unlock command.

Lock-Down State

Blocks that are Locked-Down (state (0,1,x)) are protected from program and erase operations (as for Locked blocks) but their protection status cannot be changed using software commands alone. A Locked or Unlocked block can be Locked-Down by issuing the Lock-Down command. Locked-Down blocks revert to the Locked state when the device is reset or powered-down.

The Lock-Down function is dependent on the Write Protect, WP, input pin.

When $\overline{WP}=0$ (V_{IL}), the blocks in the Lock-Down state (0,1,x) are protected from program, erase and protection status changes.

When $\overline{WP}=1$ (V_{IH}) the Lock-Down function is disabled (1,1,x) and Locked-Down blocks can be individually unlocked to the (1,1,0) state by issuing the software command, where they can be erased and programmed.

When the Lock-Down function is disabled ($\overline{WP}=1$) blocks can be locked (1,1,1) and unlocked (1,1,0) as desired. When $WP=0$ blocks that were previously Locked-Down return to the Lock-Down state (0,1,x) regardless of any changes that were made while $WP=1$.

Device reset or power-down resets all blocks, including those in Lock-Down, to the Locked state.

Locking Operations During Erase Suspend

Changes to block lock status can be performed during an erase suspend by using the standard locking command sequences to unlock, lock or lock-down a block. This is useful in the case when another block needs to be updated while an erase operation is in progress.

To change block locking during an erase operation, first write the Erase Suspend command, then check the Status Register until it indicates that the erase operation has been suspended. Next write the desired Lock command sequence to a block and the lock status will be changed. After completing any desired lock, read, or program operations, resume the erase operation with the Erase Resume command.

If a block is locked or locked-down during an erase suspend of the same block, the locking status bits will be changed immediately, but when the erase is resumed, the erase operation will complete. Locking operations cannot be performed during a program suspend.

Table 14. Lock Status

Current Protection Status ⁽¹⁾ (WP, DQ1, DQ0)		Next Protection Status ⁽¹⁾ (WP, DQ1, DQ0)			
Current State	Program/Erase Allowed	After Block Lock Command	After Block Unlock Command	After Block Lock-Down Command	$\overline{\text{WP}}$ After WP transition
1,0,0	yes	1,0,1	1,0,0	1,1,1	0,0,0
1,0,1 ⁽²⁾	no	1,0,1	1,0,0	1,1,1	0,0,1
1,1,0	yes	1,1,1	1,1,0	1,1,1	0,1,1
1,1,1	no	1,1,1	1,1,0	1,1,1	0,1,1
0,0,0	yes	0,0,1	0,0,0	0,1,1	1,0,0
0,0,1 ⁽²⁾	no	0,0,1	0,0,0	0,1,1	1,0,1
0,1,1	no	0,1,1	0,1,1	0,1,1	1,1,1 or 1,1,0 ⁽³⁾

Note: 1. The lock status is defined by the write protect pin and by DQ1 ('1' for a locked-down block) and DQ0 ('1' for a locked block) as read in the Read Electronic Signature command with A1 = V_{IH} and A0 = V_{IL}.

2. All blocks are locked at power-up, so the default configuration is 001 or 101 according to $\overline{\text{WP}}$ status.

3. A WP transition to V_{IH} on a locked block will restore the previous DQ0 value, giving a 111 or 110.

PROGRAM AND ERASE TIMES AND ENDURANCE CYCLES

The Program and Erase times and the number of Program/ Erase cycles per block are shown in [Table 15](#). In the M30L0R7000T0/B0 the maximum number of Program/ Erase cycles depends on the voltage supply used.

Table 15. Program, Erase Times and Endurance Cycles

Parameter		Condition	Min	Typ	Typical after 100k W/E Cycles	Max	Unit		
V _{PP} = V _{DD}	Erase	Parameter Block (16 KWords)	Preprogrammed		0.65	1	2.5	s	
			Not Preprogrammed		0.8		2.5	s	
		Main Block (64 KWords)	Preprogrammed		1.4	3	4	s	
			Not Preprogrammed		1.8		4	s	
	Program ⁽³⁾	Single Cell	Word Program		10		100	μs	
			Buffer Program		10			μs	
		Single Word	Word Program		10		100	μs	
			Buffer Program		10			μs	
		Buffer (32 Words) (Buffer Program)			320			μs	
		Main Block (64 KWords)			640			ms	
	Suspend Latency	Program			5		10	μs	
		Erase			5		25	μs	
Program/Erase Cycles (per Block)	Main Blocks		100,000				cycles		
	Parameter Blocks		100,000				cycles		
V _{PP} = V _{PPH}	Erase	Parameter Block (16 KWords)			0.7		2.5	s	
		Main Block (64 KWords)			1.2		4	s	
	Program ⁽³⁾	Single Cell	Word Program			10		100	μs
			Word Program			10		100	μs
		Single Word	Buffered Enhanced Factory Program ⁽⁴⁾			3.5			μs
			Word Program			320			μs
		Buffer (32 Words)	Buffered Enhanced Factory Program ⁽⁴⁾			100			μs
			Word Program			640			ms
		Main Block (64 KWords)	Buffered Enhanced Factory Program ⁽⁴⁾			200			ms
			Word Program			5			s
	Bank (8 Mbits)	Buffered Enhanced Factory Program ⁽⁴⁾			1.6			s	
		Word Program							
	Program/Erase Cycles (per Block)	Main Blocks					1000	cycles	
		Parameter Blocks					2500	cycles	

Note: 1. T_A = -40 to 85°C; V_{DD} = 1.7V to 2.0V; V_{DDQ} = 1.7V to 2.0V.

2. Values are liable to change with the external system-level overhead (command sequence and Status Register polling execution).

3. Excludes the time needed to execute the command sequence.

4. Average on entire device.

MAXIMUM RATING

Stressing the device above the rating listed in the Absolute Maximum Ratings table may cause permanent damage to the device. These are stress ratings only and operation of the device at these or any other conditions above those indicated in the Operating sections of this specification is not im-

plied. Exposure to Absolute Maximum Rating conditions for extended periods may affect device reliability. Refer also to the STMicroelectronics SURE Program and other relevant quality documents.

Table 16. Absolute Maximum Ratings

Symbol	Parameter	Value		Unit
		Min	Max	
T _A	Ambient Operating Temperature	-25	85	°C
T _{BIAS}	Temperature Under Bias	-25	85	°C
T _{STG}	Storage Temperature	-65	125	°C
T _{LEAD}	Lead Temperature during Soldering		(1)	°C
V _{IO}	Input or Output Voltage	-0.5	3.8	V
V _{DD}	Supply Voltage	-0.2	2.5	V
V _{DDQ}	Input/Output Supply Voltage	-0.2	2.5	V
V _{PP}	Program Voltage	-0.2	14	V
I _O	Output Short Circuit Current		100	mA
t _{VPPH}	Time for V _{PP} at V _{PPH}		100	hours

Note: 1. Compliant with the JEDEC Std J-STD-020B (for small body, Sn-Pb or Pb assembly), the ST ECOPACK® 7191395 specification, and the European directive on Restrictions on Hazardous Substances (RoHS) 2002/95/EU.

DC AND AC PARAMETERS

This section summarizes the operating measurement conditions, and the DC and AC characteristics of the device. The parameters in the DC and AC characteristics Tables that follow, are derived from tests performed under the Measurement

Conditions summarized in [Table 17., Operating and AC Measurement Conditions](#). Designers should check that the operating conditions in their circuit match the operating conditions when relying on the quoted parameters.

Table 17. Operating and AC Measurement Conditions

Parameter	M30L0R7000T0, M30L0R7000B0		Units
	85		
	Min	Max	
V _{DD} Supply Voltage	1.7	2.0	V
V _{DDQ} Supply Voltage	1.7	2.0	V
V _{PP} Supply Voltage (Factory environment)	8.5	12.6	V
V _{PP} Supply Voltage (Application environment)	-0.4	V _{DDQ} +0.4	V
Ambient Operating Temperature	-25	85	°C
Load Capacitance (C _L)	30		pF
Input Rise and Fall Times	5		ns
Input Pulse Voltages	0 to V _{DDQ}		V
Input and Output Timing Ref. Voltages	V _{DDQ} /2		V

Figure 8. AC Measurement I/O Waveform

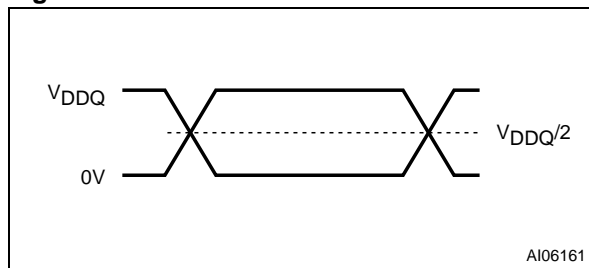


Figure 9. AC Measurement Load Circuit

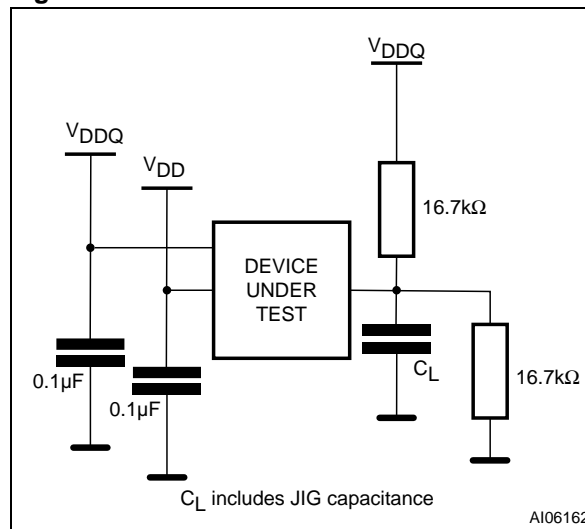


Table 18. Capacitance

Symbol	Parameter	Test Condition	Min	Max	Unit
C _{IN}	Input Capacitance	V _{IN} = 0V	6	8	pF
C _{OUT}	Output Capacitance	V _{OUT} = 0V	8	12	pF

Note: Sampled only, not 100% tested.

Table 19. DC Characteristics - Currents

Symbol	Parameter	Test Condition	Min	Typ	Max	Unit
I _{LI}	Input Leakage Current	0V ≤ V _{IN} ≤ V _{DDQ}			±1	μA
I _{LO}	Output Leakage Current	0V ≤ V _{OUT} ≤ V _{DDQ}			±1	μA
I _{DD1}	Supply Current Asynchronous Read (f=6MHz)	$\bar{E} = V_{IL}, \bar{G} = V_{IH}$		10	15	mA
		4 Word		7	16	mA
	Supply Current Synchronous Read (f=40MHz)	8 Word		10	18	mA
		16 Word		13	20	mA
		Continuous		18	25	mA
		4 Word		16	18	mA
	Supply Current Synchronous Read (f=54MHz)	8 Word		18	20	mA
		16 Word		21	25	mA
Continuous			22	27	mA	
I _{DD2}	Supply Current (Reset)	$\overline{RP} = V_{SS} \pm 0.2V$		25	70	μA
I _{DD3}	Supply Current (Standby)	$\bar{E} = V_{DD} \pm 0.2V$		25	70	μA
I _{DD4}	Supply Current (Automatic Standby)	$\bar{E} = V_{IL}, \bar{G} = V_{IH}$		25	70	μA
I _{DD5} ⁽¹⁾	Supply Current (Program)	V _{PP} = V _{PPH}		8	15	mA
		V _{PP} = V _{DD}		10	20	mA
	Supply Current (Erase)	V _{PP} = V _{PPH}		8	15	mA
		V _{PP} = V _{DD}		10	20	mA
I _{DD6} ^(1,2)	Supply Current (Dual Operations)	Program/Erase in one Bank, Asynchronous Read in another Bank		20	35	mA
		Program/Erase in one Bank, Synchronous Read in another Bank		32	47	mA
I _{DD7} ⁽¹⁾	Supply Current Program/ Erase Suspended (Standby)	$\bar{E} = V_{DD} \pm 0.2V$		25	70	μA
I _{PP1} ⁽¹⁾	V _{PP} Supply Current (Program)	V _{PP} = V _{PPH}		2	5	mA
		V _{PP} = V _{DD}		0.2	5	μA
	V _{PP} Supply Current (Erase)	V _{PP} = V _{PPH}		2	5	mA
		V _{PP} = V _{DD}		0.2	5	μA
I _{PP2}	V _{PP} Supply Current (Read)	V _{PP} ≤ V _{DD}		0.2	5	μA
I _{PP3} ⁽¹⁾	V _{PP} Supply Current (Standby)	V _{PP} ≤ V _{DD}		0.2	5	μA

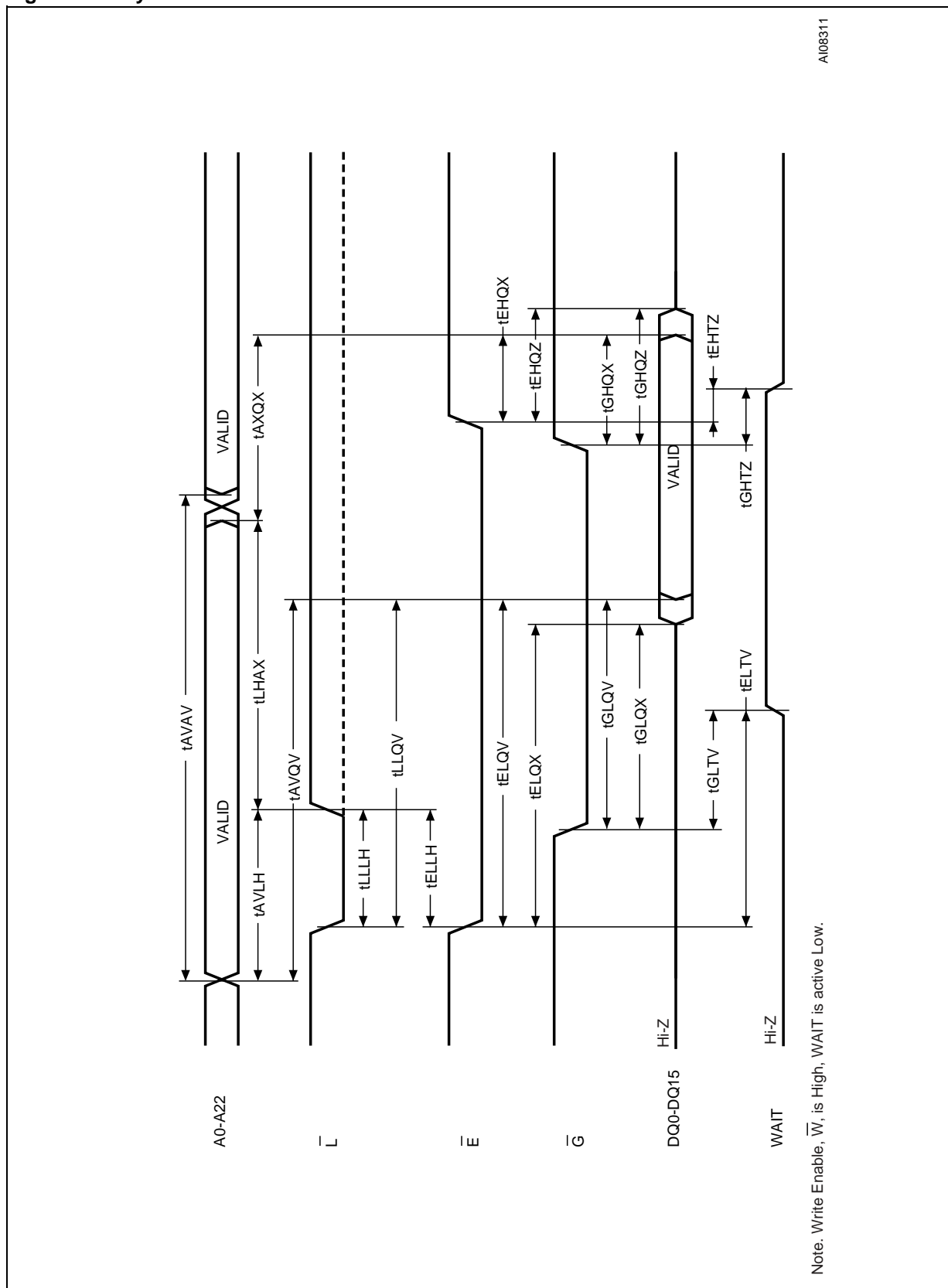
Note: 1. Sampled only, not 100% tested.

2. V_{DD} Dual Operation current is the sum of read and program or erase currents.

Table 20. DC Characteristics - Voltages

Symbol	Parameter	Test Condition	Min	Typ	Max	Unit
V _{IL}	Input Low Voltage		-0.5		0.4	V
V _{IH}	Input High Voltage		V _{DDQ} - 0.4		V _{DDQ} + 0.4	V
V _{OL}	Output Low Voltage	I _{OL} = 100µA			0.1	V
V _{OH}	Output High Voltage	I _{OH} = -100µA	V _{DDQ} - 0.1			V
V _{PP1}	V _{PP} Program Voltage-Logic	Program, Erase	1.1	1.8	3.3	V
V _{PPH}	V _{PP} Program Voltage Factory	Program, Erase	8.5	9.0	12.6	V
V _{PPLK}	Program or Erase Lockout				0.4	V
V _{LKO}	V _{DD} Lock Voltage		1			V
V _{RPH}	$\overline{\text{RP}}$ pin Extended High Voltage				3.3	V

Figure 10. Asynchronous Random Access Read AC Waveforms



A108311

Figure 11. Asynchronous Page Read AC Waveforms

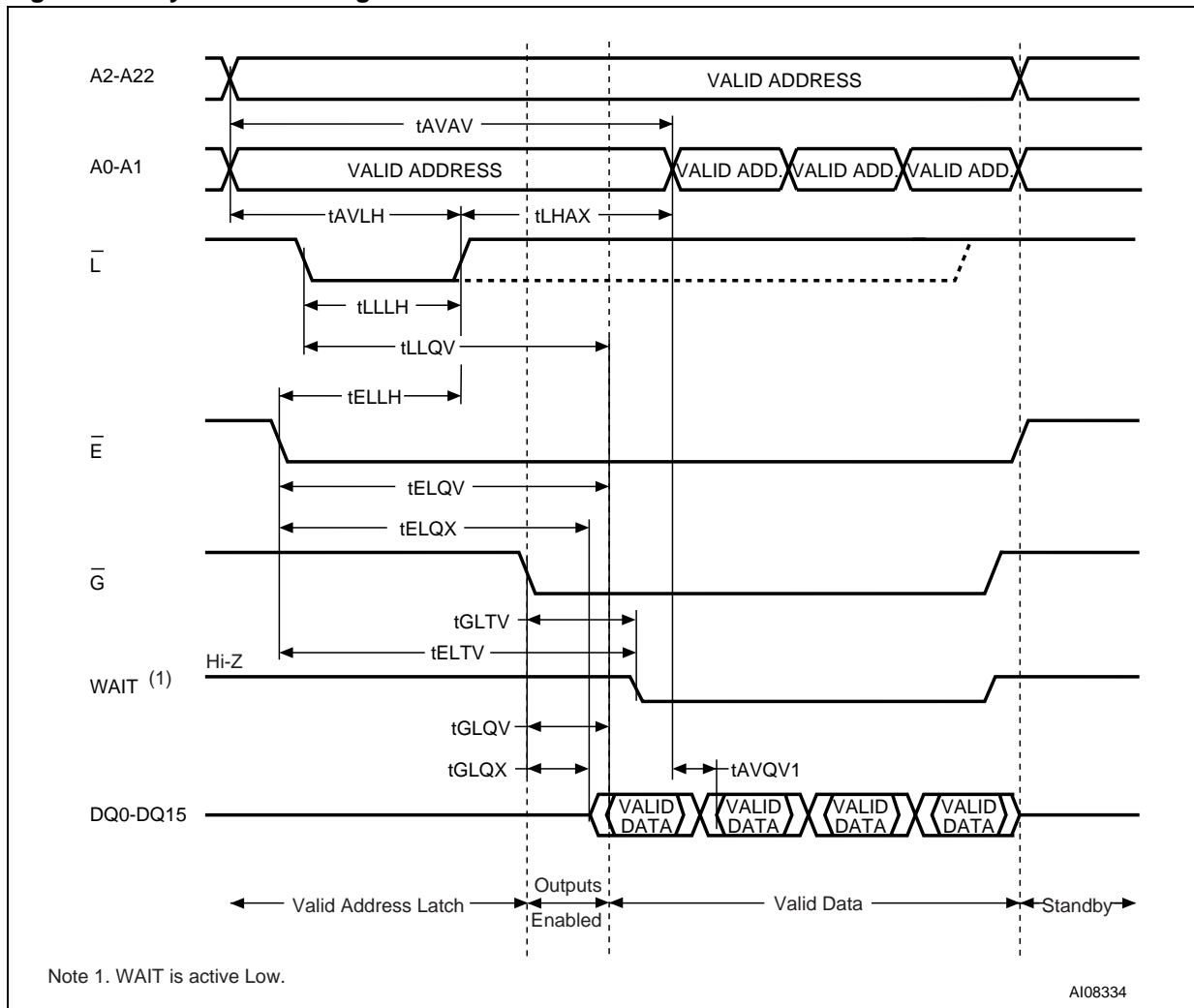


Table 21. Asynchronous Read AC Characteristics

Symbol	Alt	Parameter		M30L0R7000T0/B0	Unit	
				85		
Read Timings	t _{AVAV}	t _{RC}	Address Valid to Next Address Valid	Min	85	ns
	t _{AVQV}	t _{ACC}	Address Valid to Output Valid (Random)	Max	85	ns
	t _{AVQV1}	t _{PAGE}	Address Valid to Output Valid (Page)	Max	25	ns
	t _{AXQX} ⁽¹⁾	t _{OH}	Address Transition to Output Transition	Min	0	ns
	t _{ELTV}		Chip Enable Low to Wait Valid	Max	14	ns
	t _{ELQV} ⁽²⁾	t _{CE}	Chip Enable Low to Output Valid	Max	85	ns
	t _{ELQX} ⁽¹⁾	t _{LZ}	Chip Enable Low to Output Transition	Min	0	ns
	t _{EHTZ}		Chip Enable High to Wait Hi-Z	Max	17	ns
	t _{EHQX} ⁽¹⁾	t _{OH}	Chip Enable High to Output Transition	Min	0	ns
	t _{EHQZ} ⁽¹⁾	t _{HZ}	Chip Enable High to Output Hi-Z	Max	17	ns
	t _{GLQV} ⁽²⁾	t _{OE}	Output Enable Low to Output Valid	Max	20	ns
	t _{GLQX} ⁽¹⁾	t _{OLZ}	Output Enable Low to Output Transition	Min	0	ns
	t _{GLTV}		Output Enable Low to Wait Valid	Max	14	ns
	t _{GHQX} ⁽¹⁾	t _{OH}	Output Enable High to Output Transition	Min	0	ns
	t _{GHQZ} ⁽¹⁾	t _{DF}	Output Enable High to Output Hi-Z	Max	17	ns
t _{GHTZ}		Output Enable High to Wait Hi-Z	Max	17	ns	
Latch Timings	t _{AVLH}	t _{AVADVH}	Address Valid to Latch Enable High	Min	7	ns
	t _{ELLH}	t _{ELADVH}	Chip Enable Low to Latch Enable High	Min	10	ns
	t _{LHAX}	t _{ADVHAX}	Latch Enable High to Address Transition	Min	7	ns
	t _{LLLH}	t _{ADVLADVH}	Latch Enable Pulse Width	Min	7	ns
	t _{LLQV}	t _{ADVLQV}	Latch Enable Low to Output Valid (Random)	Max	85	ns

Note: 1. Sampled only, not 100% tested.
 2. G may be delayed by up to t_{ELQV} - t_{GLQV} after the falling edge of \bar{E} without increasing t_{ELQV}.

Figure 13. Single Synchronous Read AC Waveforms

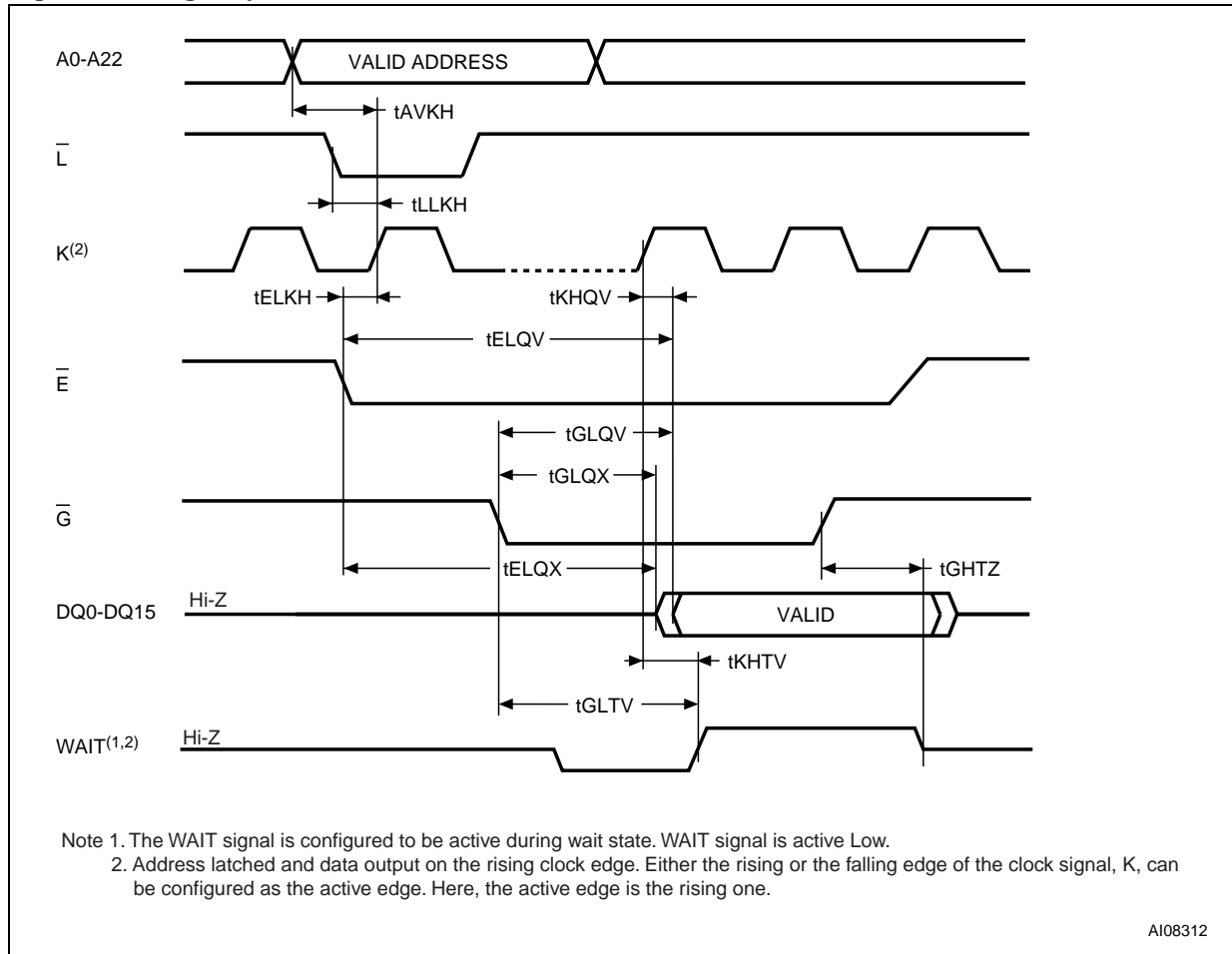
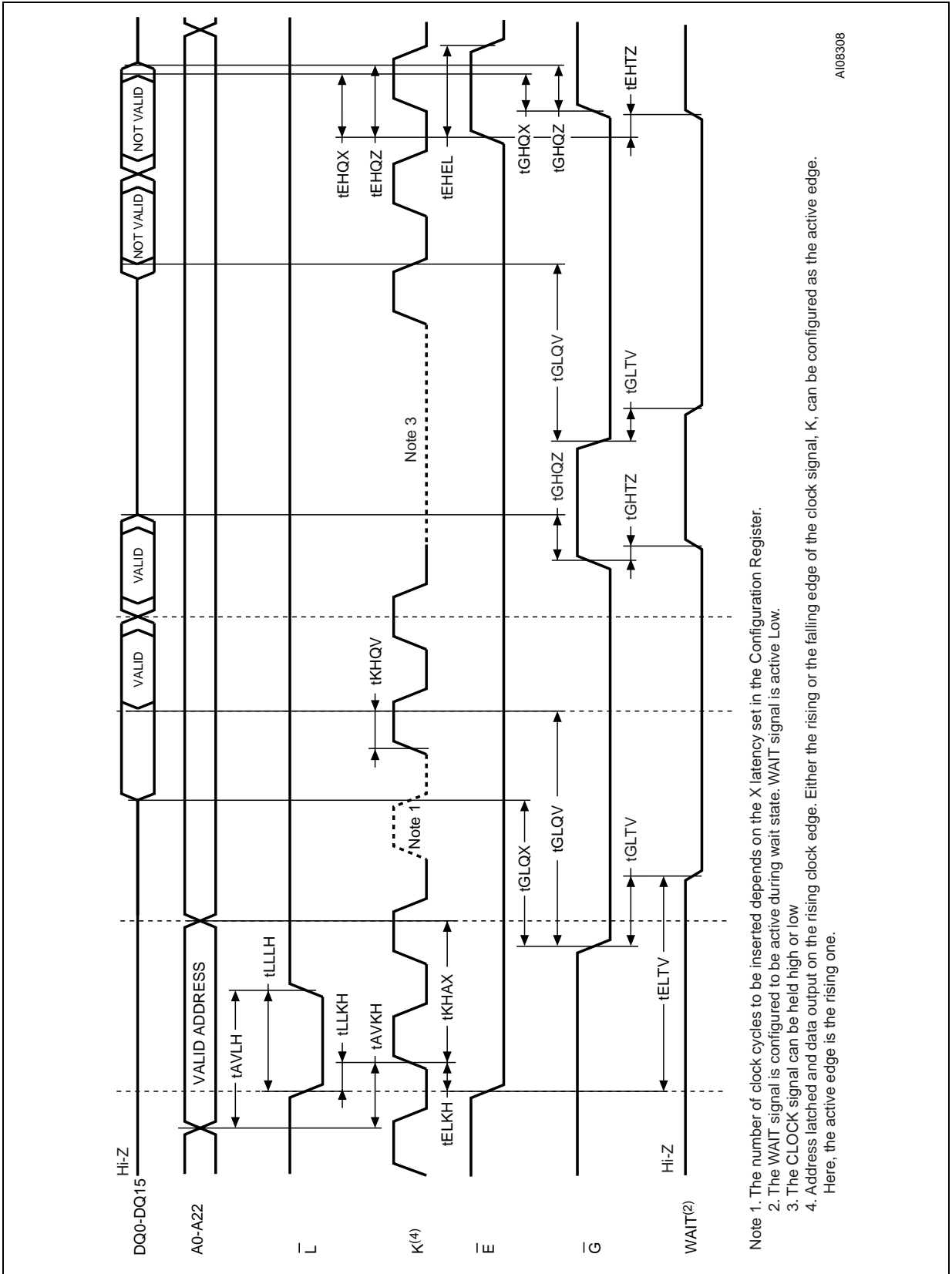


Figure 14. Synchronous Burst Read Suspend AC Waveforms



A108308

Figure 15. Clock input AC Waveform

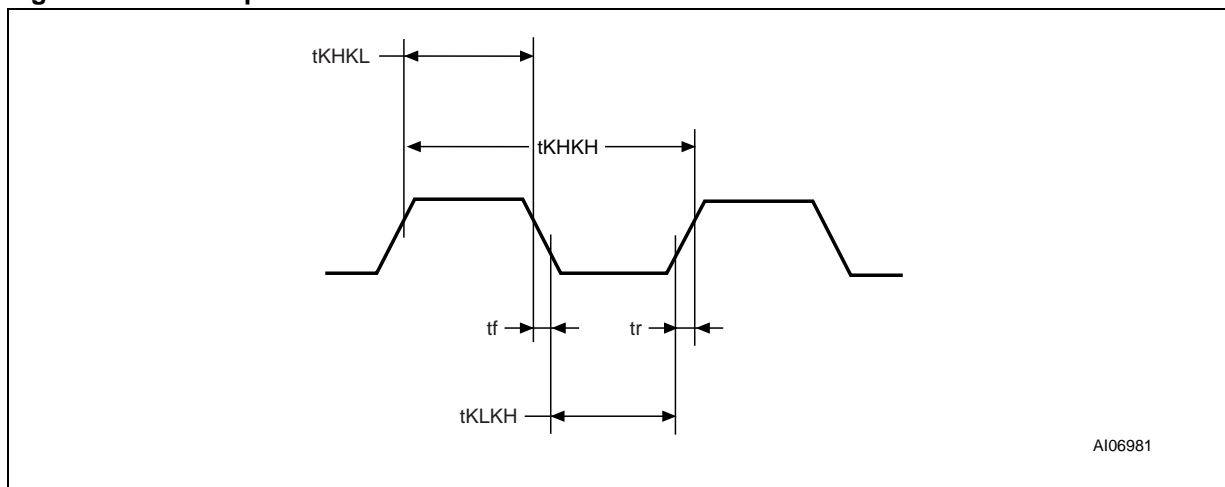


Table 22. Synchronous Read AC Characteristics

Symbol	Alt	Parameter		M30L0R7000T0/B0	Unit	
				85		
Synchronous Read Timings	t_{AVKH}	t_{AVCLKH}	Address Valid to Clock High	Min	7	ns
	t_{ELKH}	t_{ELCLKH}	Chip Enable Low to Clock High	Min	7	ns
	t_{ELTV}		Chip Enable Low to Wait Valid	Max	14	ns
	t_{EHEL}		Chip Enable Pulse Width (subsequent synchronous reads)	Min	14	ns
	t_{EHTZ}		Chip Enable High to Wait Hi-Z	Max	17	ns
	t_{KHAX}	t_{CLKHAX}	Clock High to Address Transition	Min	7	ns
	t_{KHQV} t_{KHQTV}	t_{CLKHQV}	Clock High to Output Valid Clock High to WAIT Valid	Max	14	ns
	t_{KHQX} t_{KHQTX}	t_{CLKHQX}	Clock High to Output Transition Clock High to WAIT Transition	Min	3	ns
	t_{LLKH}	$t_{ADVCLKH}$	Latch Enable Low to Clock High	Min	7	ns
Clock Specifications	t_{KHKH}	t_{CLK}	Clock Period (f=40MHz)	Min		ns
			Clock Period (f=47MHz)	Min		
			Clock Period (f=54MHz)	Min	18.5	ns
	t_{KHKL} t_{KLKH}		Clock High to Clock Low Clock Low to Clock High	Min	3.5	ns
	t_f t_r		Clock Fall or Rise Time	Max	3	ns

Note: 1. Sampled only, not 100% tested.
 2. For other timings please refer to [Table 21., Asynchronous Read AC Characteristics.](#)

Figure 16. Write AC Waveforms, Write Enable Controlled

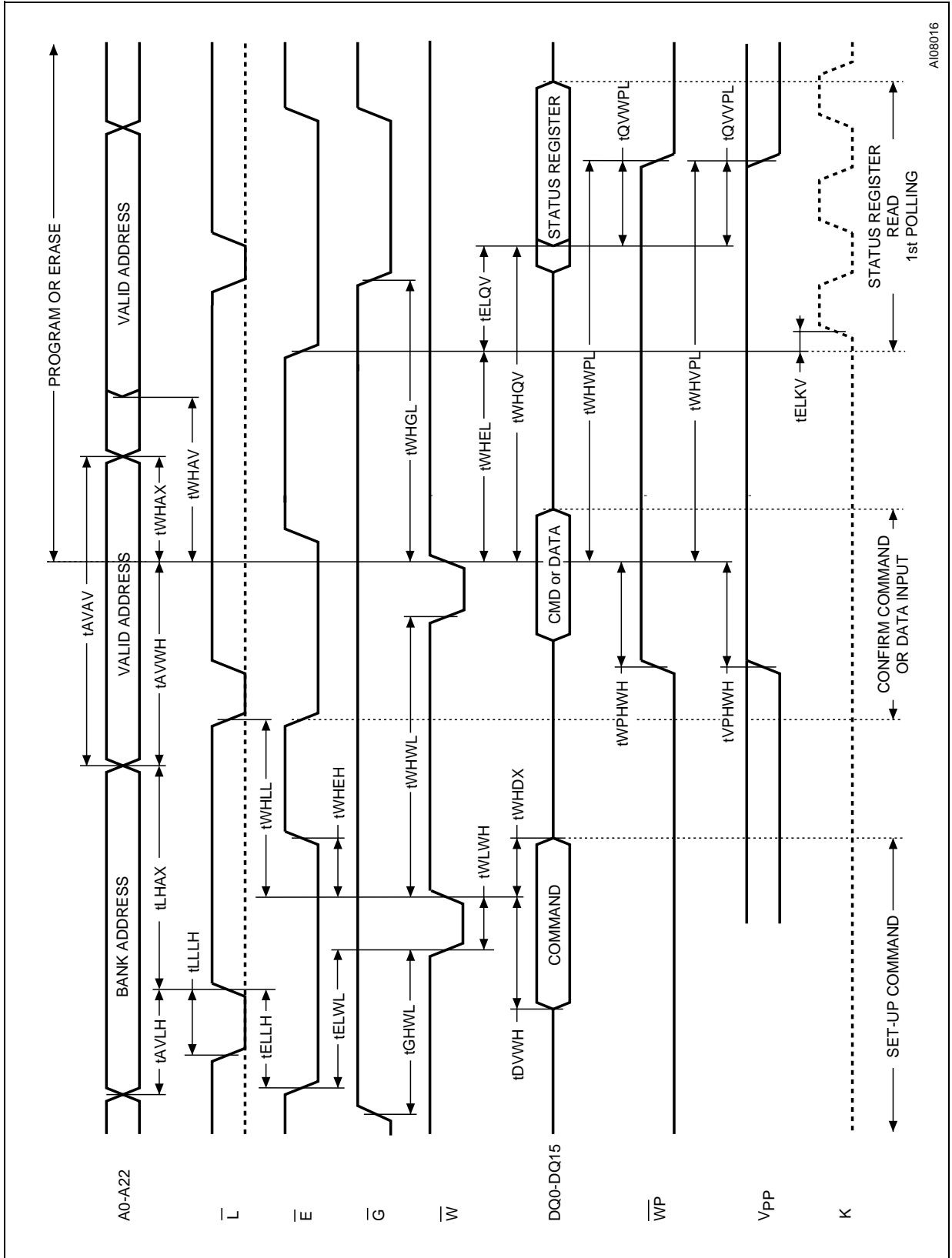
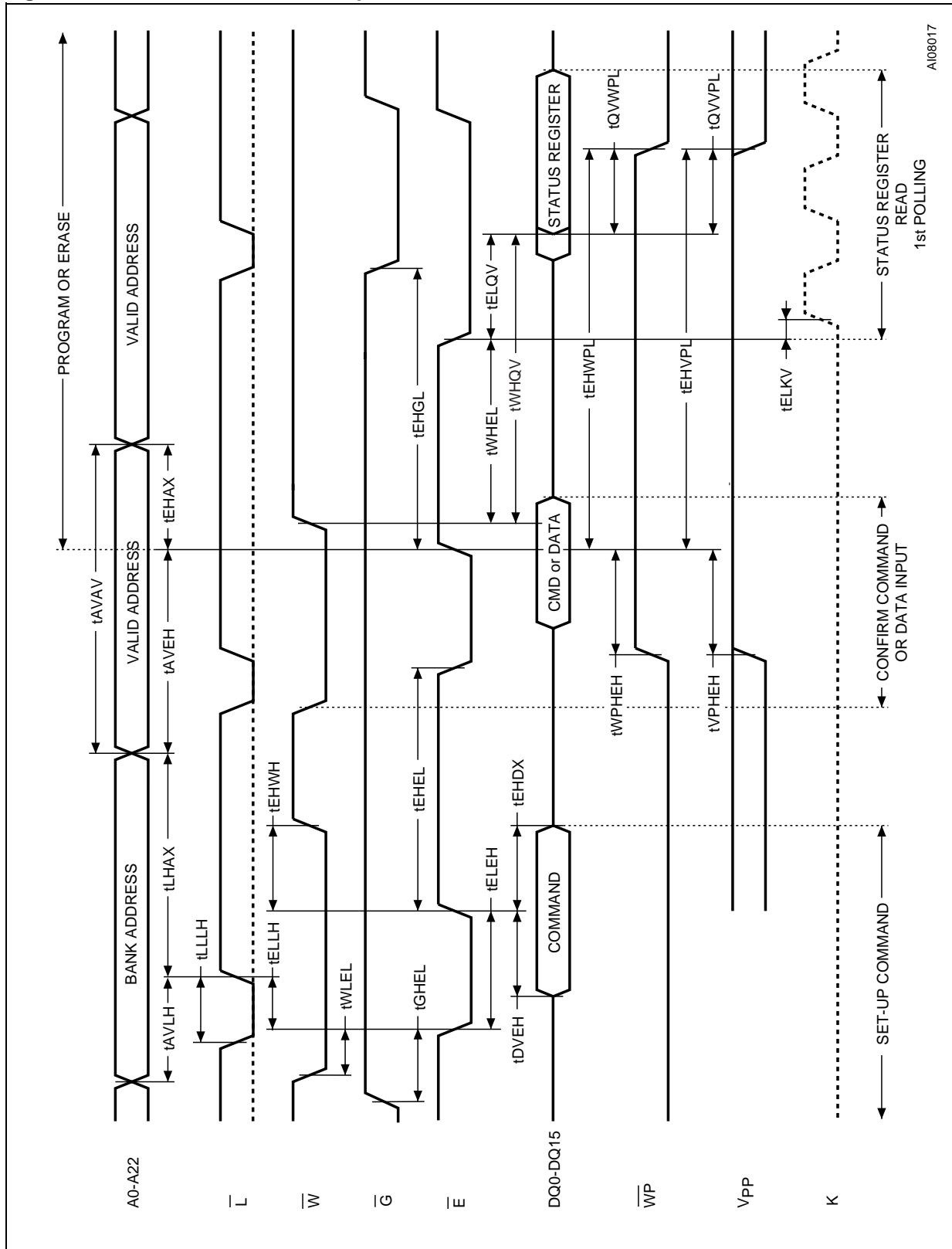


Table 23. Write AC Characteristics, Write Enable Controlled

Symbol	Alt	Parameter		M30L0R7000T0/B0	Unit	
				85		
Write Enable Controlled Timings	t _{AVAV}	t _{WC}	Address Valid to Next Address Valid	Min	85	ns
	t _{AVLH}		Address Valid to Latch Enable High	Min	7	ns
	t _{AVWH} ⁽³⁾		Address Valid to Write Enable High	Min	50	ns
	t _{DVWH}	t _{DS}	Data Valid to Write Enable High	Min	50	ns
	t _{ELLH}		Chip Enable Low to Latch Enable High	Min	10	ns
	t _{ELWL}	t _{CS}	Chip Enable Low to Write Enable Low	Min	0	ns
	t _{ELQV}		Chip Enable Low to Output Valid	Min	85	ns
	t _{ELKV}		Chip Enable Low to Clock Valid	Min	9	ns
	t _{GHWL}		Output Enable High to Write Enable Low	Min	17	ns
	t _{LHAX}		Latch Enable High to Address Transition	Min	9	ns
	t _{LLH}		Latch Enable Pulse Width	Min	9	ns
	t _{WHAV} ⁽³⁾		Write Enable High to Address Valid	Min	0	ns
	t _{WHAX} ⁽³⁾	t _{AH}	Write Enable High to Address Transition	Min	0	ns
	t _{WHDX}	t _{DH}	Write Enable High to Input Transition	Min	0	ns
	t _{WHEH}	t _{CH}	Write Enable High to Chip Enable High	Min	0	ns
	t _{WHEL} ⁽²⁾		Write Enable High to Chip Enable Low	Min	25	ns
	t _{WHGL}		Write Enable High to Output Enable Low	Min	0	ns
	t _{WHLL}		Write Enable High to Latch Enable Low	Min	0	ns
t _{WHWL}	t _{WPH}	Write Enable High to Write Enable Low	Min	25	ns	
t _{WHQV}		Write Enable High to Output Valid	Min	110	ns	
t _{WLWH}	t _{WP}	Write Enable Low to Write Enable High	Min	50	ns	
Protection Timings	t _{QVPL}		Output (Status Register) Valid to V _{PP} Low	Min	0	ns
	t _{QVWPL}		Output (Status Register) Valid to Write Protect Low	Min	0	ns
	t _{VPWH}	t _{VPS}	V _{PP} High to Write Enable High	Min	200	ns
	t _{WHVPL}		Write Enable High to V _{PP} Low	Min	200	ns
	t _{WHWPL}		Write Enable High to Write Protect Low	Min	200	ns
	t _{WPHWH}		Write Protect High to Write Enable High	Min	200	ns

- Note: 1. Sampled only, not 100% tested.
 2. t_{WHEL} has the values shown when reading in the targeted bank. System designers should take this into account and may insert a software No-Op instruction to delay the first read in the same bank after issuing a command. If it is a Read Array operation in a different bank t_{WHEL} is 0ns.
 3. Meaningful only if L is always kept low.

Figure 17. Write AC Waveforms, Chip Enable Controlled



A108017

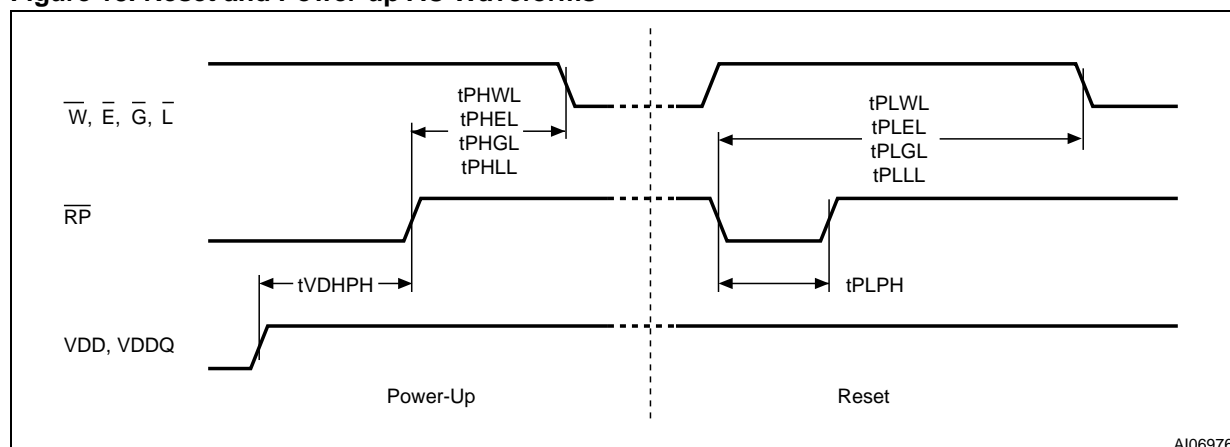
Table 24. Write AC Characteristics, Chip Enable Controlled

Symbol	Alt	Parameter		M30L0R7000T0/B0	Unit	
				85		
Chip Enable Controlled Timings	t _{AVAV}	t _{WC}	Address Valid to Next Address Valid	Min	85	ns
	t _{AVEH}		Address Valid to Chip Enable High	Min	50	ns
	t _{AVLH}		Address Valid to Latch Enable High	Min	7	ns
	t _{DVEH}	t _{DS}	Data Valid to Write Enable High	Min	50	ns
	t _{EHAX}	t _{AH}	Chip Enable High to Address Transition	Min	0	ns
	t _{EHDX}	t _{DH}	Chip Enable High to Input Transition	Min	0	ns
	t _{EHEL}	t _{CPH}	Chip Enable High to Chip Enable Low	Min	25	ns
	t _{EHGL}		Chip Enable High to Output Enable Low	Min	0	ns
	t _{EHWH}	t _{CH}	Chip Enable High to Write Enable High	Min	0	ns
	t _{ELKV}		Chip Enable Low to Clock Valid	Min	9	ns
	t _{LEH}	t _{CP}	Chip Enable Low to Chip Enable High	Min	50	ns
	t _{ELLH}		Chip Enable Low to Latch Enable High	Min	10	ns
	t _{ELQV}		Chip Enable Low to Output Valid	Min	85	ns
	t _{GHEL}		Output Enable High to Chip Enable Low	Min	17	ns
	t _{LHAX}		Latch Enable High to Address Transition	Min	9	ns
	t _{LLLH}		Latch Enable Pulse Width	Min	9	ns
	t _{WHEL} ⁽²⁾		Write Enable High to Chip Enable Low	Min	25	ns
	t _{WHQV}		Write Enable High to Output Valid	Min	110	ns
	t _{WLEL}	t _{CS}	Write Enable Low to Chip Enable Low	Min	0	ns
Protection Timings	t _{EHVPL}		Chip Enable High to V _{PP} Low	Min	200	ns
	t _{EHWPL}		Chip Enable High to Write Protect Low	Min	200	ns
	t _{QVPL}		Output (Status Register) Valid to V _{PP} Low	Min	0	ns
	t _{QVWPL}		Output (Status Register) Valid to Write Protect Low	Min	0	ns
	t _{VPEH}	t _{VPS}	V _{PP} High to Chip Enable High	Min	200	ns
	t _{WPHEH}		Write Protect High to Chip Enable High	Min	200	ns

Note: 1. Sampled only, not 100% tested.

2. t_{WHEL} has the values shown when reading in the targeted bank. System designers should take this into account and may insert a software No-Op instruction to delay the first read in the same bank after issuing a command. If it is a Read Array operation in a different bank t_{WHEL} is 0ns.

Figure 18. Reset and Power-up AC Waveforms



AI06976

Table 25. Reset and Power-up AC Characteristics

Symbol	Parameter	Test Condition		85	Unit
t _{PLWL} t _{PLEL} t _{PLGL} t _{PLLL}	Reset Low to Write Enable Low, Chip Enable Low, Output Enable Low, Latch Enable Low	During Program	Min	10	μs
		During Erase	Min	25	μs
		Other Conditions	Min	80	ns
t _{PHWL} t _{PHEL} t _{PHGL} t _{PHLL}	Reset High to Write Enable Low Chip Enable Low Output Enable Low Latch Enable Low		Min	30	ns
t _{PLPH} ^(1,2)	\overline{RP} Pulse Width		Min	50	ns
t _{VDHPH} ⁽³⁾	Supply Voltages High to Reset High		Min	50	μs

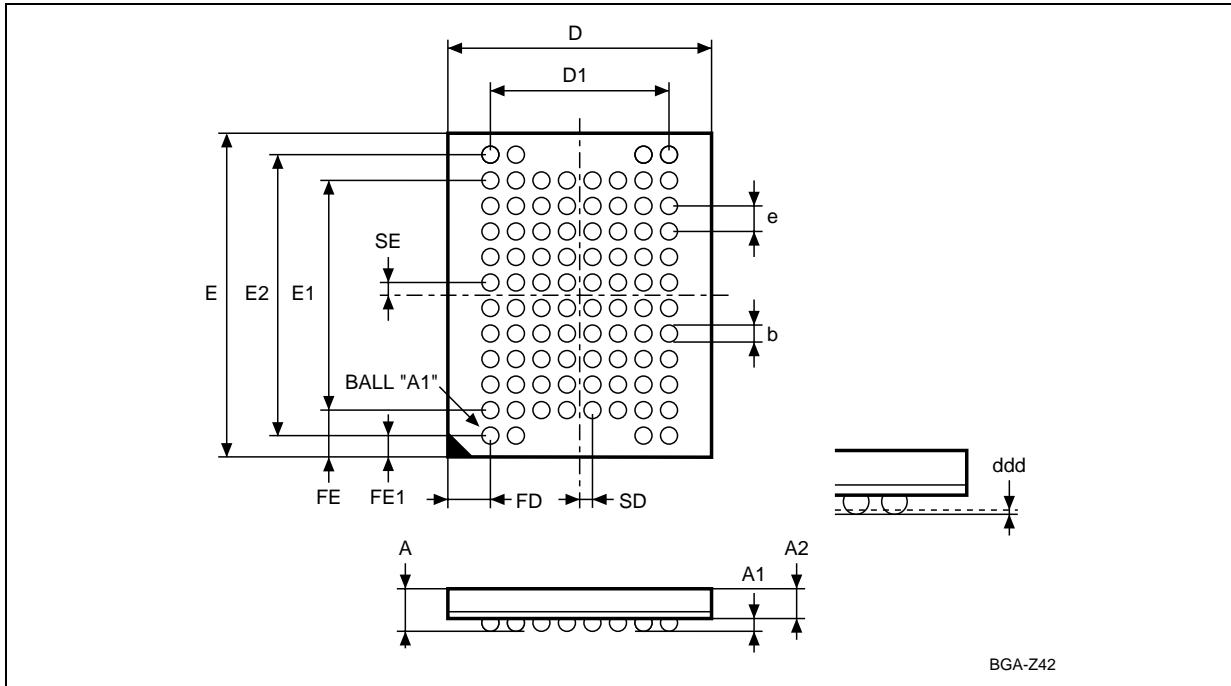
Note: 1. The device Reset is possible but not guaranteed if t_{PLPH} < 50ns.

2. Sampled only, not 100% tested.

3. It is important to assert \overline{RP} in order to allow proper CPU initialization during Power-Up or Reset.

PACKAGE MECHANICAL

Figure 19. TFBGA88 8x10mm - 8x10 ball array, 0.8mm pitch, Bottom View Package Outline



Note: Drawing is not to scale.

Table 26. TFBGA88 8x10mm - 8x10 ball array, 0.8mm pitch, Package Mechanical Data

Symbol	millimeters			inches		
	Typ	Min	Max	Typ	Min	Max
A			1.200			0.0472
A1		0.200			0.0079	
A2	0.850			0.0335		
b	0.350	0.300	0.400	0.0138	0.0118	0.0157
D	8.000	7.900	8.100	0.3150	0.3110	0.3189
D1	5.600			0.2205		
ddd			0.100			0.0039
E	10.000	9.900	10.100	0.3937	0.3898	0.3976
E1	7.200			0.2835		
E2	8.800			0.3465		
e	0.800	-	-	0.0315	-	-
FD	1.200			0.0472		
FE	1.400			0.0551		
FE1	0.600			0.0236		
SD	0.400			0.0157		
SE	0.400			0.0157		

Figure 20. TFBGA88 Daisy Chain - Package Connections (Top view through package)

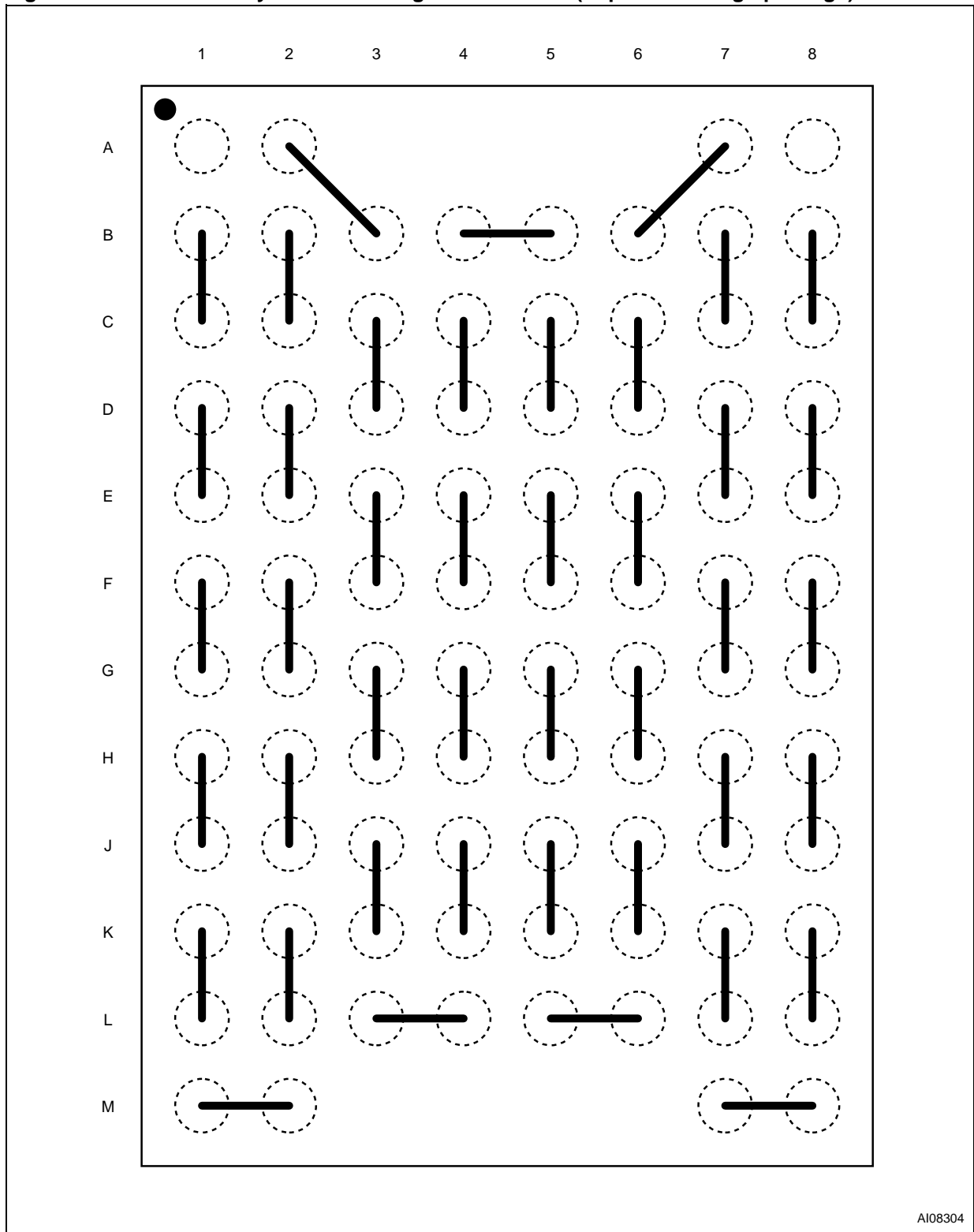
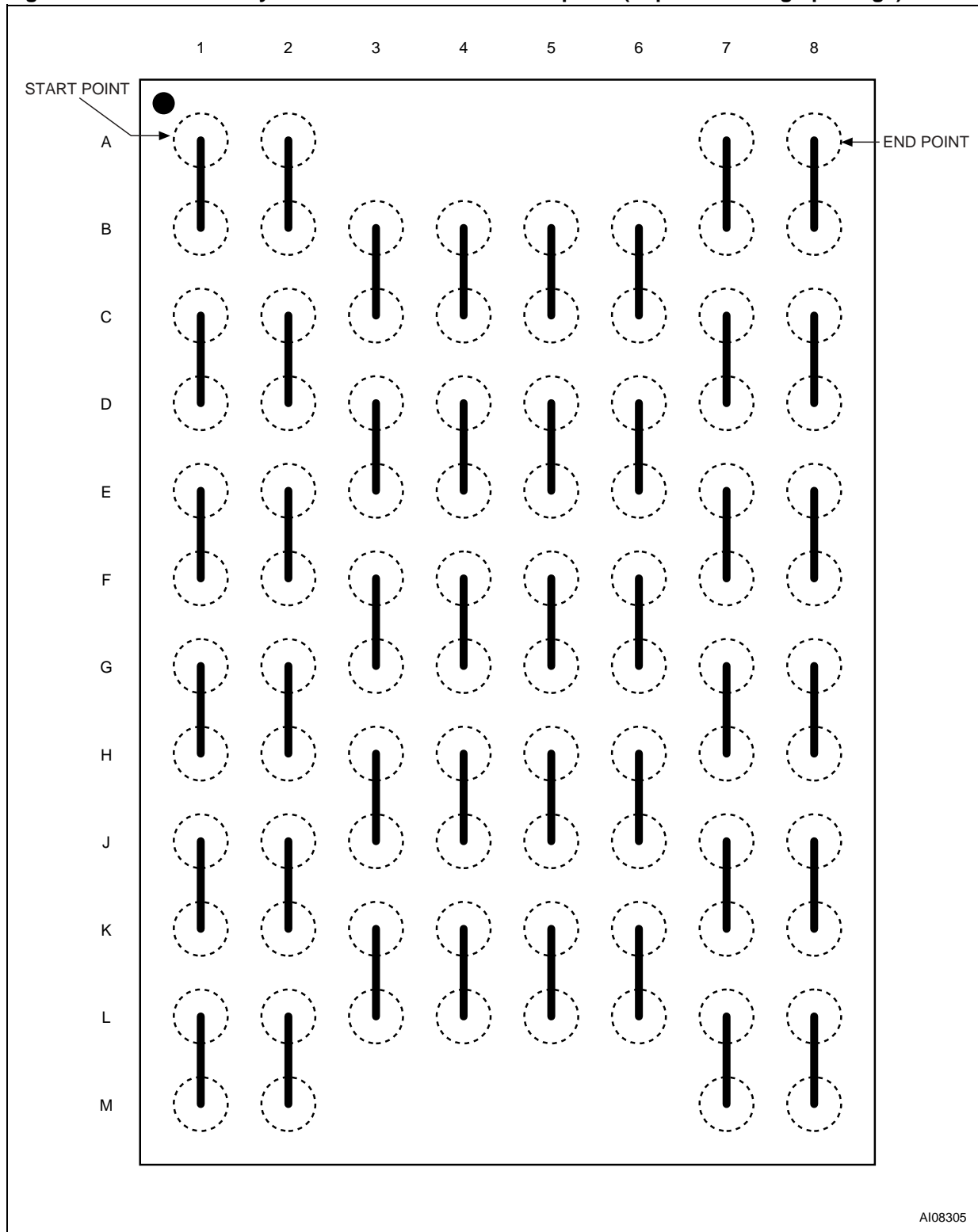


Figure 21. TFBGA88 Daisy Chain - PCB Connection Proposal (Top view through package)



PART NUMBERING

Table 27. Ordering Information Scheme

Example:

M30 L 0 R 7 0 0 0 T 0 ZAQ T

Device Type

M30 = Multiple Flash Memory Product

Flash Device Identifier 1

L = Multilevel, Multiple Bank, Burst Mode

Flash Device Identifier 2

0 = no other architecture

Operating Voltage

R = $V_{DD} = V_{DDQ} = 1.8V$ typical

Flash 1 Density

7 = 128 Mbit

Flash 2 Density

0 = No Die

Flash 3 Density

0 = No Die

Flash 4 Density

0 = No Die

Parameter Block Location

T = Top Boot Block

B = Bottom Boot Block

Product Version

0 = Flash 0.13 μ m, 85ns

Package

ZAQ = TFBGA88 8 x 10mm, 0.80mm pitch, quadruple stacked footprint

Option

Blank = Standard Packing

T = Tape & Reel packing

E = Lead-Free and RoHS Package, Standard Packing

F = Lead-Free and RoHS Package, Tape & Reel Packing

M30L0R7000T0, M30L0R7000B0

Table 28. Daisy Chain Ordering Scheme

Example:

M30L0R7000

-ZAQ T

Device Type

M30L0R7000T0

Daisy Chain

ZAQ = LFBGA88 8 x 10mm, 0.80mm pitch, quadruple stacked footprint

Option

Blank = Standard Packing

T = Tape & Reel packing

E = Lead-Free and RoHS Package, Standard Packing

F = Lead-Free and RoHS Package, Tape & Reel Packing

Devices are shipped from the factory with the memory content bits erased to '1'.

For a list of available options (Speed, Package, etc.) or for further information on any aspect of this device, please contact the ST Sales Office nearest to you.

APPENDIX A. BLOCK ADDRESS TABLES

Table 29. Top Boot Block Addresses, M30L0R7000T0

Bank	#	Size (KWord)	Address Range
Parameter Bank	0	16	7FC000-7FFFFFF
	1	16	7F8000-7FBFFF
	2	16	7F4000-7F7FFF
	3	16	7F0000-7F3FFF
	4	64	7E0000-7EFFFF
	5	64	7D0000-7DFFFF
	6	64	7C0000-7CFFFF
	7	64	7B0000-7BFFFF
	8	64	7A0000-7AFFFF
	9	64	790000-79FFFF
Bank 1	10	64	780000-78FFFF
	11	64	770000-77FFFF
	12	64	760000-76FFFF
	13	64	750000-75FFFF
	14	64	740000-74FFFF
	15	64	730000-73FFFF
	16	64	720000-72FFFF
	17	64	710000-71FFFF
Bank 2	18	64	700000-70FFFF
	19	64	6F0000-6FFFFFF
	20	64	6E0000-6EFFFF
	21	64	6D0000-6DFFFF
	22	64	6C0000-6CFFFF
	23	64	6B0000-6BFFFF
	24	64	6A0000-6AFFFF
	25	64	690000-69FFFF
Bank 3	26	64	680000-68FFFF
	27	64	670000-67FFFF
	28	64	660000-66FFFF
	29	64	650000-65FFFF
	30	64	640000-64FFFF
	31	64	630000-63FFFF
	32	64	620000-62FFFF
	33	64	610000-61FFFF
	34	64	600000-60FFFF
Bank 4	35	64	5F0000-5FFFFFF
	36	64	5E0000-5EFFFF
	37	64	5D0000-5DFFFF
	38	64	5C0000-5CFFFF
	39	64	5B0000-5BFFFF
	40	64	5A0000-5AFFFF
	41	64	590000-59FFFF
	42	64	580000-58FFFF
Bank 5	43	64	570000-57FFFF
	44	64	560000-56FFFF
	45	64	550000-55FFFF
	46	64	540000-54FFFF
	47	64	530000-53FFFF
	48	64	520000-52FFFF
	49	64	510000-51FFFF
	50	64	500000-50FFFF
Bank 6	51	64	4F0000-4FFFFFF
	52	64	4E0000-4EFFFF
	53	64	4D0000-4DFFFF
	54	64	4C0000-4CFFFF
	55	64	4B0000-4BFFFF
	56	64	4A0000-4AFFFF
	57	64	490000-49FFFF
	58	64	480000-48FFFF
Bank 7	59	64	470000-47FFFF
	60	64	460000-46FFFF
	61	64	450000-45FFFF
	62	64	440000-44FFFF
	63	64	430000-43FFFF
	64	64	420000-42FFFF
	65	64	410000-41FFFF
	66	64	400000-40FFFF
Bank 8	67	64	3F0000-3FFFFFF
	68	64	3E0000-3EFFFF
	69	64	3D0000-3DFFFF
	70	64	3C0000-3CFFFF
	71	64	3B0000-3BFFFF
	72	64	3A0000-3AFFFF
	73	64	390000-39FFFF
	74	64	380000-38FFFF

M30L0R7000T0, M30L0R7000B0

Bank 9	75	64	370000-37FFFF
	76	64	360000-36FFFF
	77	64	350000-35FFFF
	78	64	340000-34FFFF
	79	64	330000-33FFFF
	80	64	320000-32FFFF
	81	64	310000-31FFFF
	82	64	300000-30FFFF
Bank 10	83	64	2F0000-2FFFFF
	84	64	2E0000-2EFFFF
	85	64	2D0000-2DFFFF
	86	64	2C0000-2CFFFF
	87	64	2B0000-2BFFFF
	88	64	2A0000-2AFFFF
	89	64	290000-29FFFF
	90	64	280000-28FFFF
Bank 11	91	64	270000-27FFFF
	92	64	260000-26FFFF
	93	64	250000-25FFFF
	94	64	240000-24FFFF
	95	64	230000-23FFFF
	96	64	220000-22FFFF
	97	64	210000-21FFFF
	98	64	200000-20FFFF
Bank 12	99	64	1F0000-1FFFFF
	100	64	1E0000-1EFFFF
	101	64	1D0000-1DFFFF
	102	64	1C0000-1CFFFF
	103	64	1B0000-1BFFFF
	104	64	1A0000-1AFFFF
	105	64	190000-19FFFF
	106	64	180000-18FFFF

Bank 13	107	64	170000-17FFFF
	108	64	160000-16FFFF
	109	64	150000-15FFFF
	110	64	140000-14FFFF
	111	64	130000-13FFFF
	112	64	120000-12FFFF
	113	64	110000-11FFFF
	114	64	100000-10FFFF
Bank 14	115	64	0F0000-0FFFFF
	116	64	0E0000-0EFFFF
	117	64	0D0000-0DFFFF
	118	64	0C0000-0CFFFF
	119	64	0B0000-0BFFFF
	120	64	0A0000-0AFFFF
	121	64	090000-09FFFF
	122	64	080000-08FFFF
Bank 15	123	64	070000-07FFFF
	124	64	060000-06FFFF
	125	64	050000-05FFFF
	126	64	040000-04FFFF
	127	64	030000-03FFFF
	128	64	020000-02FFFF
	129	64	010000-01FFFF
	130	64	000000-00FFFF

Note: There are two Bank Regions: Bank Region 1 contains all the banks that are made up of main blocks only; Bank Region 2 contains the banks that are made up of the parameter and main blocks (Parameter Bank).



Table 30. Bottom Boot Block Addresses, M30L0R7000B0

Bank	#	Size (KWord)	Address Range
Bank 15	130	64	7F0000-7FFFFFFF
	129	64	7E0000-7EFFFFFF
	128	64	7D0000-7DFFFFFF
	127	64	7C0000-7CFFFFFF
	126	64	7B0000-7BFFFFFF
	125	64	7A0000-7AFFFFFF
	124	64	790000-79FFFFFF
	123	64	780000-78FFFFFF
Bank 14	122	64	770000-77FFFFFF
	121	64	760000-76FFFFFF
	120	64	750000-75FFFFFF
	119	64	740000-74FFFFFF
	118	64	730000-73FFFFFF
	117	64	720000-72FFFFFF
	116	64	710000-71FFFFFF
	115	64	700000-70FFFFFF
Bank 13	114	64	6F0000-6FFFFFFF
	113	64	6E0000-6EFFFFFF
	112	64	6D0000-6DFFFFFF
	111	64	6C0000-6CFFFFFF
	110	64	6B0000-6BFFFFFF
	109	64	6A0000-6AFFFFFF
	108	64	690000-69FFFFFF
	107	64	680000-68FFFFFF
Bank 12	106	64	670000-67FFFFFF
	105	64	660000-66FFFFFF
	104	64	650000-65FFFFFF
	103	64	640000-64FFFFFF
	102	64	630000-63FFFFFF
	101	64	620000-62FFFFFF
	100	64	610000-61FFFFFF
	99	64	600000-60FFFFFF
Bank 11	98	64	5F0000-5FFFFFFF
	97	64	5E0000-5EFFFFFF
	96	64	5D0000-5DFFFFFF
	95	64	5C0000-5CFFFFFF
	94	64	5B0000-5BFFFFFF
	93	64	5A0000-5AFFFFFF
	92	64	590000-59FFFFFF
	91	64	580000-58FFFFFF
Bank 10	90	64	570000-57FFFFFF
	89	64	560000-56FFFFFF
	88	64	550000-55FFFFFF
	87	64	540000-54FFFFFF
	86	64	530000-53FFFFFF
	85	64	520000-52FFFFFF
	84	64	510000-51FFFFFF
	83	64	500000-50FFFFFF
Bank 9	82	64	4F0000-4FFFFFFF
	81	64	4E0000-4EFFFFFF
	80	64	4D0000-4DFFFFFF
	79	64	4C0000-4CFFFFFF
	78	64	4B0000-4BFFFFFF
	77	64	4A0000-4AFFFFFF
	76	64	490000-49FFFFFF
	75	64	480000-48FFFFFF
Bank 8	74	64	470000-47FFFFFF
	73	64	460000-46FFFFFF
	72	64	450000-45FFFFFF
	71	64	440000-44FFFFFF
	70	64	430000-43FFFFFF
	69	64	420000-42FFFFFF
	68	64	410000-41FFFFFF
	67	64	400000-40FFFFFF
Bank 7	66	64	3F0000-3FFFFFFF
	65	64	3E0000-3EFFFFFF
	64	64	3D0000-3DFFFFFF
	63	64	3C0000-3CFFFFFF
	62	64	3B0000-3BFFFFFF
	61	64	3A0000-3AFFFFFF
	60	64	390000-39FFFFFF
	59	64	380000-38FFFFFF
Bank 6	58	64	370000-37FFFFFF
	57	64	360000-36FFFFFF
	56	64	350000-35FFFFFF
	55	64	340000-34FFFFFF
	54	64	330000-33FFFFFF
	53	64	320000-32FFFFFF
	52	64	310000-31FFFFFF
	51	64	300000-30FFFFFF

M30L0R7000T0, M30L0R7000B0

Bank 5	50	64	2F0000-2FFFFFF
	49	64	2E0000-2EFFFFF
	48	64	2D0000-2DFFFFF
	47	64	2C0000-2CFFFFF
	46	64	2B0000-2BFFFFF
	45	64	2A0000-2AFFFFF
	44	64	290000-29FFFFF
	43	64	280000-28FFFFF
Bank 4	42	64	270000-27FFFFF
	41	64	260000-26FFFFF
	40	64	250000-25FFFFF
	39	64	240000-24FFFFF
	38	64	230000-23FFFFF
	37	64	220000-22FFFFF
	36	64	210000-21FFFFF
	35	64	200000-20FFFFF
Bank 3	34	64	1F0000-1FFFFFF
	33	64	1E0000-1EFFFFF
	32	64	1D0000-1DFFFFF
	31	64	1C0000-1CFFFFF
	30	64	1B0000-1BFFFFF
	29	64	1A0000-1AFFFFF
	28	64	190000-19FFFFF
	27	64	180000-18FFFFF
Bank 2	26	64	170000-17FFFFF
	25	64	160000-16FFFFF
	24	64	150000-15FFFFF
	23	64	140000-14FFFFF
	22	64	130000-13FFFFF
	21	64	120000-12FFFFF
	20	64	110000-11FFFFF
	19	64	1F0000-1FFFFFF

Bank 1	18	64	0F0000-0FFFFFF
	17	64	0E0000-0EFFFFF
	16	64	0D0000-0DFFFFF
	15	64	0C0000-0CFFFFF
	14	64	0B0000-0BFFFFF
	13	64	0A0000-0AFFFFF
	12	64	090000-09FFFFF
	11	64	080000-08FFFFF
	10	64	070000-07FFFFF
	9	64	060000-06FFFFF
Parameter Bank	8	64	050000-05FFFFF
	7	64	040000-04FFFFF
	6	64	030000-03FFFFF
	5	64	020000-02FFFFF
	4	64	010000-01FFFFF
	3	16	00C000-00FFFFF
	2	16	008000-00BFFF
	1	16	004000-007FFF
	0	16	000000-003FFF

Note: There are two Bank Regions: Bank Region 2 contains all the banks that are made up of main blocks only; Bank Region 1 contains the banks that are made up of the parameter and main blocks (Parameter Bank).



APPENDIX B. COMMON FLASH INTERFACE

The Common Flash Interface is a JEDEC approved, standardized data structure that can be read from the Flash memory device. It allows a system software to query the device to determine various electrical and timing parameters, density information and functions supported by the memory. The system can interface easily with the device, enabling the software to upgrade itself when necessary.

When the Read CFI Query Command is issued the device enters CFI Query mode and the data structure is read from the memory. Tables 31, 32, 33, 34, 35, 36, 37, 38, 39 and 40 show the ad-

resses used to retrieve the data. The Query data is always presented on the lowest order data outputs (DQ0-DQ7), the other outputs (DQ8-DQ15) are set to 0.

The CFI data structure also contains a security area where a 64 bit unique security number is written (see Figure 5., Protection Register Memory Map). This area can be accessed only in Read mode by the final user. It is impossible to change the security number after it has been written by ST. Issue a Read Array command to return to Read mode.

Table 31. Query Structure Overview

Offset	Sub-section Name	Description
000h	Reserved	Reserved for algorithm-specific information
010h	CFI Query Identification String	Command set ID and algorithm data offset
01Bh	System Interface Information	Device timing & voltage information
027h	Device Geometry Definition	Flash device layout
P	Primary Algorithm-specific Extended Query table	Additional information specific to the Primary Algorithm (optional)
A	Alternate Algorithm-specific Extended Query table	Additional information specific to the Alternate Algorithm (optional)
080h	Security Code Area	Lock Protection Register Unique device Number and User Programmable OTP

Note: The Flash memory display the CFI data structure when CFI Query command is issued. In this table are listed the main sub-sections detailed in Tables 32, 33, 34, and 35. Query data is always presented on the lowest order data outputs.

Table 32. CFI Query Identification String

Offset	Sub-section Name	Description	Value
000h	0020h	Manufacturer Code	ST
001h	88C4h 88C5h	Device Code	Top Bottom
002h	Reserved	Reserved	
003h	Reserved	Reserved	
004h-00Fh	Reserved	Reserved	
010h	0051h	Query Unique ASCII String "QRY"	"Q"
011h	0052h		"R"
012h	0059h		"Y"
013h 014h	0003h 0000h	Primary Algorithm Command Set and Control Interface ID code 16 bit ID code defining a specific algorithm	
015h 016h	offset = P = 000Ah 0001h	Address for Primary Algorithm extended Query table (see Table 34.)	p = 10Ah
017h 018h	0000h 0000h	Alternate Vendor Command Set and Control Interface ID Code second vendor - specified algorithm supported	NA
019h 01Ah	value = A = 0000h 0000h	Address for Alternate Algorithm extended Query table	NA

Table 33. CFI Query System Interface Information

Offset	Data	Description	Value
01Bh	0017h	V _{DD} Logic Supply Minimum Program/Erase or Write voltage bit 7 to 4 BCD value in volts bit 3 to 0 BCD value in 100 millivolts	1.7V
01Ch	0020h	V _{DD} Logic Supply Maximum Program/Erase or Write voltage bit 7 to 4 BCD value in volts bit 3 to 0 BCD value in 100 millivolts	2V
01Dh	0085h	V _{PP} [Programming] Supply Minimum Program/Erase voltage bit 7 to 4 HEX value in volts bit 3 to 0 BCD value in 100 millivolts	8.5V
01Eh	0095h	V _{PP} [Programming] Supply Maximum Program/Erase voltage bit 7 to 4 HEX value in volts bit 3 to 0 BCD value in 100 millivolts	9.5V
01Fh	0004h	Typical time-out per single byte/word program = 2 ⁿ μs	16μs
020h	0009h	Typical time-out for Buffer Program = 2 ⁿ μs	512μs
021h	000Bh	Typical time-out per individual block erase = 2 ⁿ ms	2s
022h	0000h	Typical time-out for full chip erase = 2 ⁿ ms	NA
023h	0003h	Maximum time-out for word program = 2 ⁿ times typical	128μs
024h	0001h	Maximum time-out for Buffer Program = 2 ⁿ times typical	1024μs
025h	0001h	Maximum time-out per individual block erase = 2 ⁿ times typical	4s
026h	0000h	Maximum time-out for chip erase = 2 ⁿ times typical	NA

Table 34. Device Geometry Definition

Offset Word Mode	Data	Description	Value
027h	0018h	Device Size = 2^n in number of bytes	16 MBytes
028h 029h	0001h 0000h	Flash Device Interface Code description	x16 Async.
02Ah 02Bh	0006h 0000h	Maximum number of bytes in multi-byte program or page = 2^n	64 Bytes
02Ch	0002h	Number of identical sized erase block regions within the device bit 7 to 0 = x = number of Erase Block Regions	2
M30L0R7000T0	02Dh 02Eh	007Eh 0000h Region 1 Information Number of identical-size erase blocks = 007Eh+1	127
	02Fh 030h	0000h 0002h Region 1 Information Block size in Region 1 = 0200h * 256 Byte	128 KByte
	031h 032h	0003h 0000h Region 2 Information Number of identical-size erase blocks = 0003h+1	4
	033h 034h	0080h 0000h Region 2 Information Block size in Region 2 = 0080h * 256 Byte	32 KByte
	035h 038h	Reserved	Reserved for future erase block region information
M30L0R7000B0	02Dh 02Eh	0003h 0000h Region 1 Information Number of identical-size erase block = 0003h+1	4
	02Fh 030h	0080h 0000h Region 1 Information Block size in Region 1 = 0080h * 256 bytes	32 KBytes
	031h 032h	007Eh 0000h Region 2 Information Number of identical-size erase block = 007Eh+1	127
	033h 034h	0000h 0002h Region 2 Information Block size in Region 2 = 0200h * 256 bytes	128 KBytes
	035h 038h	Reserved	Reserved for future erase block region information

Table 35. Primary Algorithm-Specific Extended Query Table

Offset	Data	Description	Value
(P)h = 10Ah	0050h 0052h 0049h	Primary Algorithm extended Query table unique ASCII string "PRI"	"P" "R" "I"
(P+3)h = 10Dh	0031h	Major version number, ASCII	"1"
(P+4)h = 10Eh	0033h	Minor version number, ASCII	"3"
(P+5)h = 10Fh (P+7)h = 111h (P+8)h = 112h	00E6h 0003h 0000h 0000h	Extended Query table contents for Primary Algorithm. Address (P+5)h contains less significant byte. bit 0 Chip Erase supported (1 = Yes, 0 = No) bit 1 Erase Suspend supported (1 = Yes, 0 = No) bit 2 Program Suspend supported (1 = Yes, 0 = No) bit 3 Legacy Lock/Unlock supported (1 = Yes, 0 = No) bit 4 Queued Erase supported (1 = Yes, 0 = No) bit 5 Instant individual block locking supported (1 = Yes, 0 = No) bit 6 Protection bits supported (1 = Yes, 0 = No) bit 7 Page mode read supported (1 = Yes, 0 = No) bit 8 Synchronous read supported (1 = Yes, 0 = No) bit 9 Simultaneous operation supported (1 = Yes, 0 = No) bit 10 to 31 Reserved; undefined bits are '0'. If bit 31 is '1' then another 31 bit field of optional features follows at the end of the bit-30 field.	No Yes Yes No No Yes Yes Yes Yes Yes
(P+9)h = 113h	0001h	Supported Functions after Suspend Read Array, Read Status Register and CFI Query bit 0 Program supported after Erase Suspend (1 = Yes, 0 = No) bit 7 to 1 Reserved; undefined bits are '0'	Yes
(P+A)h = 114h (P+B)h = 115h	0003h 0000h	Block Protect Status Defines which bits in the Block Status Register section of the Query are implemented. bit 0 Block protect Status Register Lock/Unlock bit active (1 = Yes, 0 = No) bit 1 Block Lock Status Register Lock-Down bit active (1 = Yes, 0 = No) bit 15 to 2 Reserved for future use; undefined bits are '0'	Yes Yes
(P+C)h = 116h	0018h	V _{DD} Logic Supply Optimum Program/Erase voltage (highest performance) bit 7 to 4 HEX value in volts bit 3 to 0 BCD value in 100 mV	1.8V
(P+D)h = 117h	0090h	V _{PP} Supply Optimum Program/Erase voltage bit 7 to 4 HEX value in volts bit 3 to 0 BCD value in 100 mV	9V

Table 36. Protection Register Information

Offset	Data	Description	Value
(P+E)h = 118h	0002h	Number of protection register fields in JEDEC ID space. 0000h indicates that 256 fields are available.	2
(P+F)h = 119h	0080h	Protection Field 1: Protection Description	80h
(P+10)h = 11Ah	0000h	Bits 0-7 Lower byte of protection register address	00h
(P+11)h = 11Bh	0003h	Bits 8-15 Upper byte of protection register address	8 Bytes
(P+12)h = 11Ch	0003h	Bits 16-23 2 ⁿ bytes in factory pre-programmed region	8 Bytes
(P+13)h = 11Dh	0089h	Protection Register 2: Protection Description	89h
(P+14)h = 11Eh	0000h	Bits 0-31 protection register address	00h
(P+15)h = 11Fh	0000h	Bits 32-39 n number of factory programmed regions (lower byte)	00h
(P+16)h = 120h	0000h	Bits 40-47 n number of factory programmed regions (upper byte)	00h
(P+17)h = 121h	0000h	Bits 48-55 2 ⁿ bytes in factory programmable region	00h
(P+18)h = 122h	0000h	Bits 56-63 n number of user programmable regions (lower byte)	0
(P+19)h = 123h	0000h	Bits 64-71 n number of user programmable regions (upper byte)	0
(P+1A)h = 124h	0010h	Bits 72-79 2 ⁿ bytes in user programmable region	16
(P+1B)h = 125h	0000h		0
(P+1C)h = 126h	0004h		16

Table 37. Burst Read Information

Offset	Data	Description	Value
(P+1D)h = 127h	0003h	Page-mode read capability bits 0-7 'n' such that 2 ⁿ HEX value represents the number of read-page bytes. See offset 28h for device word width to determine page-mode data output width.	8 Bytes
(P+1E)h = 128h	0004h	Number of synchronous mode read configuration fields that follow.	4
(P+1F)h = 129h	0001h	Synchronous mode read capability configuration 1 bit 3-7 Reserved bit 0-2 'n' such that 2 ⁿ⁺¹ HEX value represents the maximum number of continuous synchronous reads when the device is configured for its maximum word width. A value of 07h indicates that the device is capable of continuous linear bursts that will output data until the internal burst counter reaches the end of the device's burstable address space. This field's 3-bit value can be written directly to the read configuration register bit 0-2 if the device is configured for its maximum word width. See offset 28h for word width to determine the burst data output width.	4
(P+20)h = 12Ah	0002h	Synchronous mode read capability configuration 2	8
(P+21)h = 12Bh	0003h	Synchronous mode read capability configuration 3	16
(P+22)h = 12Ch	0007h	Synchronous mode read capability configuration 4	Cont.

Table 38. Bank and Erase Block Region Information

Flash memory (top)		Flash memory (bottom)		Description
Offset	Data	Offset	Data	
(P+23)h = 12Dh	02h	(P+23)h = 12Dh	02h	Number of Bank Regions within the device

Note: 1. The variable P is a pointer which is defined at CFI offset 15h.
 2. Bank Regions. There are two Bank Regions, see [Table 29](#). and [Table 30](#).

Table 39. Bank and Erase Block Region 1 Information

Flash memory (top)		Flash memory (bottom)		Description
Offset	Data	Offset	Data	
(P+24)h = 12Eh	0Fh	(P+24)h = 12Eh	01h	Number of identical banks within Bank Region 1
(P+25)h = 12Fh	00h	(P+25)h = 12Fh	00h	
(P+26)h = 130h	11h	(P+26)h = 130h	11h	Number of program or erase operations allowed in Bank Region 1: Bits 0-3: Number of simultaneous program operations Bits 4-7: Number of simultaneous erase operations
(P+27)h = 131h	00h	(P+27)h = 131h	00h	Number of program or erase operations allowed in other banks while a bank in same region is programming Bits 0-3: Number of simultaneous program operations Bits 4-7: Number of simultaneous erase operations
(P+28)h = 132h	00h	(P+28)h = 132h	00h	Number of program or erase operations allowed in other banks while a bank in this region is erasing Bits 0-3: Number of simultaneous program operations Bits 4-7: Number of simultaneous erase operations
(P+29)h = 133h	01h	(P+29)h = 133h	02h	Types of erase block regions in Bank Region 1 n = number of erase block regions with contiguous same-size erase blocks. Symmetrically blocked banks have one blocking region ⁽²⁾ .
(P+2A)h = 134h	77h	(P+2A)h = 134h	03h	Bank Region 1 Erase Block Type 1 Information Bits 0-15: n+1 = number of identical-sized erase blocks Bits 16-31: n×256 = number of bytes in erase block region
(P+2B)h = 135h	00h	(P+2B)h = 135h	00h	
(P+2C)h = 136h	00h	(P+2C)h = 136h	80h	
(P+2D)h = 137h	02h	(P+2D)h = 137h	00h	
(P+2E)h = 138h	64h	(P+2E)h = 138h	64h	Bank Region 1 (Erase Block Type 1) Minimum block erase cycles × 1000
(P+2F)h = 139h	00h	(P+2F)h = 139h	00h	
(P+30)h = 13Ah	02h	(P+30)h = 13Ah	02h	Bank Region 1 (Erase Block Type 1): Blts per cell, internal ECC Bits 0-3: bits per cell in erase region Bit 4: reserved for “internal ECC used” Blts 5-7: reserved
(P+31)h = 13Bh	03h	(P+31)h = 13Bh	03h	Bank Region 1 (Erase Block Type 1): Page mode and Synchronous mode capabilities Bit 0: Page-mode reads permitted Bit 1: Synchronous reads permitted Bit 2: Synchronous writes permitted Bits 3-7: reserved

Flash memory (top)		Flash memory (bottom)		Description
Offset	Data	Offset	Data	
		(P+32)h = 13Ch	06h	Bank Region 1 Erase Block Type 2 Information Bits 0-15: n+1 = number of identical-sized erase blocks Bits 16-31: n×256 = number of bytes in erase block region
		(P+33)h = 13Dh	00h	
		(P+34)h = 13Eh	00h	
		(P+35)h = 13Fh	02h	
		(P+36)h = 140h	64h	Bank Region 1 (Erase Block Type 2) Minimum block erase cycles × 1000
		(P+37)h = 141h	00h	
		(P+38)h = 142h	02h	Bank Regions 1 (Erase Block Type 2): Blts per cell, internal ECC Bits 0-3: bits per cell in erase region Bit 4: reserved for “internal ECC used” Blts 5-7: reserved
		(P+39)h = 143h	03h	Bank Region 1 (Erase Block Type 2): Page mode and Synchronous mode capabilities Bit 0: Page-mode reads permitted Bit 1: Synchronous reads permitted Bit 2: Synchronous writes permitted Bits 3-7: reserved

Note: 1. The variable P is a pointer which is defined at CFI offset 15h.

2. Bank Regions. There are two Bank Regions, There are two Bank Regions, see [Table 29](#). and [Table 30](#).

Table 40. Bank and Erase Block Region 2 Information

Flash memory (top)		Flash memory (bottom)		Description
Offset	Data	Offset	Data	
(P+32)h = 13Ch	01h	(P+3A)h = 144h	0Fh	Number of identical banks within Bank Region 2
(P+33)h = 13Dh	00h	(P+3B)h = 145h	00h	
(P+34)h = 13Eh	11h	(P+3C)h = 146h	11h	Number of program or erase operations allowed in Bank Region 2: Bits 0-3: Number of simultaneous program operations Bits 4-7: Number of simultaneous erase operations
(P+35)h = 13Fh	00h	(P+3D)h = 147h	00h	Number of program or erase operations allowed in other banks while a bank in this region is programming Bits 0-3: Number of simultaneous program operations Bits 4-7: Number of simultaneous erase operations
(P+36)h = 140h	00h	(P+3E)h = 148h	00h	Number of program or erase operations allowed in other banks while a bank in this region is erasing Bits 0-3: Number of simultaneous program operations Bits 4-7: Number of simultaneous erase operations
(P+37)h = 141h	02h	(P+3F)h = 149h	01h	Types of erase block regions in Bank Region 2 n = number of erase block regions with contiguous same-size erase blocks. Symmetrically blocked banks have one blocking region. ⁽²⁾
(P+38)h = 142h	06h	(P+40)h = 14Ah	77h	Bank Region 2 Erase Block Type 1 Information Bits 0-15: n+1 = number of identical-sized erase blocks Bits 16-31: n×256 = number of bytes in erase block region
(P+39)h = 143h	00h	(P+41)h = 14Bh	00h	
(P+3A)h = 144h	00h	(P+42)h = 14Ch	00h	
(P+3B)h = 145h	02h	(P+43)h = 14Dh	02h	

M30L0R7000T0, M30L0R7000B0

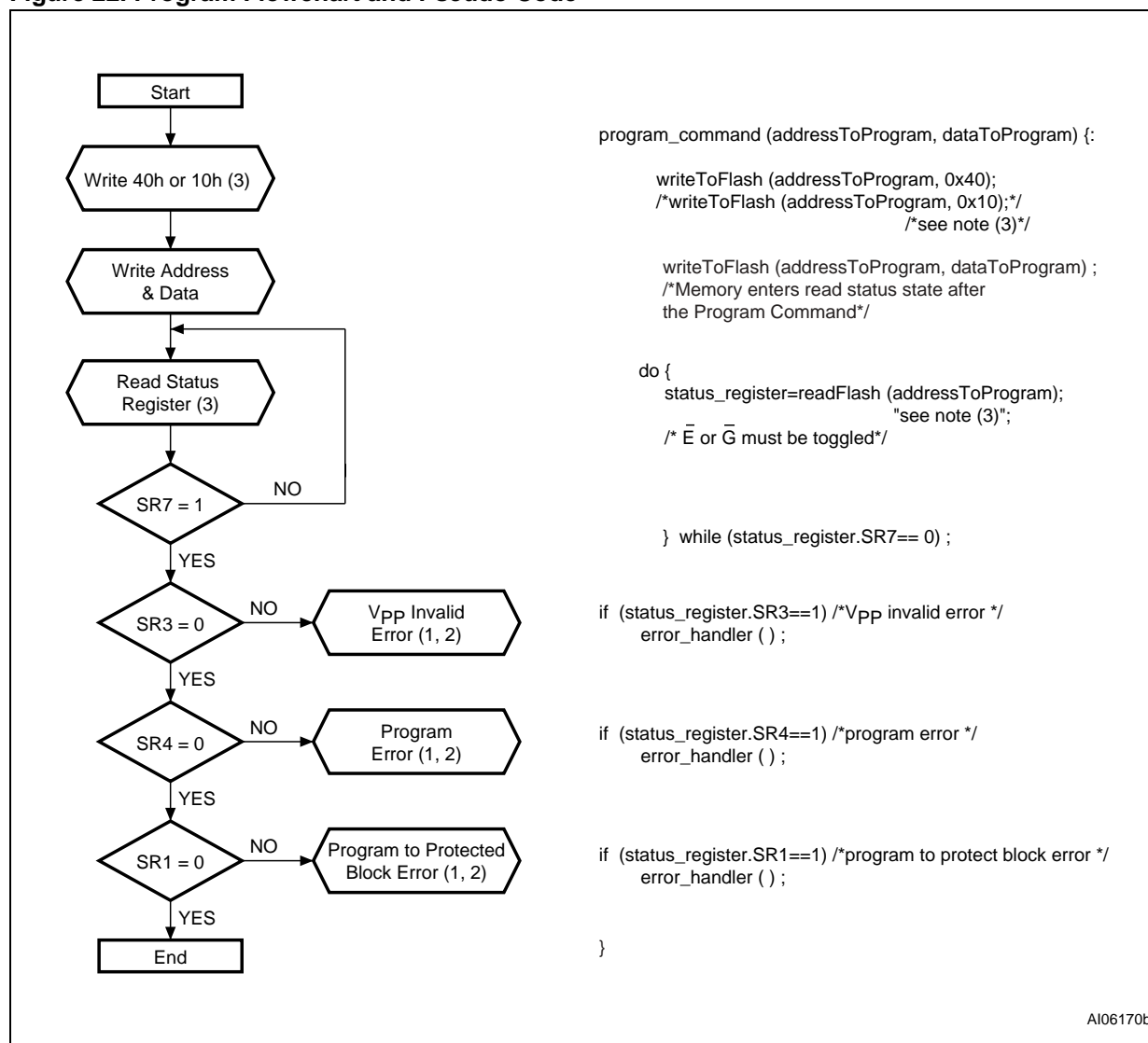
Flash memory (top)		Flash memory (bottom)		Description
Offset	Data	Offset	Data	
(P+3C)h = 146h	64h	(P+44)h = 14Eh	64h	Bank Region 2 (Erase Block Type 1) Minimum block erase cycles × 1000
(P+3D)h = 147h	00h	(P+45)h = 14Fh	00h	
(P+3E)h = 148h	02h	(P+46)h = 150h	02h	Bank Region 2 (Erase Block Type 1): Blts per cell, internal ECC Bits 0-3: bits per cell in erase region Bit 4: reserved for “internal ECC used” Blts 5-7: reserved
(P+3F)h = 149h	03h	(P+47)h = 151h	03h	Bank Region 2 (Erase Block Type 1): Page mode and Synchronous mode capabilities (defined in Table 37.) Bit 0: Page-mode reads permitted Bit 1: Synchronous reads permitted Bit 2: Synchronous writes permitted Bits 3-7: reserved
(P+40)h = 14Ah	03h			Bank Region 2 Erase Block Type 2 Information Bits 0-15: n+1 = number of identical-sized erase blocks Bits 16-31: n×256 = number of bytes in erase block region
(P+41)h = 14Bh	00h			
(P+42)h = 14Ch	80h			
(P+43)h = 14Dh	00h			
(P+44)h = 14Eh	64h			Bank Region 2 (Erase Block Type 2) Minimum block erase cycles × 1000
(P+45)h = 14Fh	00h			
(P+46)h = 150h	02h			Bank Region 2 (Erase Block Type 2): Blts per cell, internal ECC Bits 0-3: bits per cell in erase region Bit 4: reserved for “internal ECC used” Blts 5-7: reserved
(P+47)h = 151h	03h			Bank Region 2 (Erase Block Type 2): Page mode and Synchronous mode capabilities (defined in Table 37.) Bit 0: Page-mode reads permitted Bit 1: Synchronous reads permitted Bit 2: Synchronous writes permitted Bits 3-7: reserved
(P+48)h = 152h		(P+48)h = 152h		Feature Space definitions
(P+49)h = 153h		(P+43)h = 153h		Reserved

Note: 1. The variable P is a pointer which is defined at CFI offset 15h.

2. Bank Regions. There are two Bank Regions, There are two Bank Regions, see [Table 29.](#) and [Table 30.](#)

APPENDIX C. FLOWCHARTS AND PSEUDO CODES

Figure 22. Program Flowchart and Pseudo Code

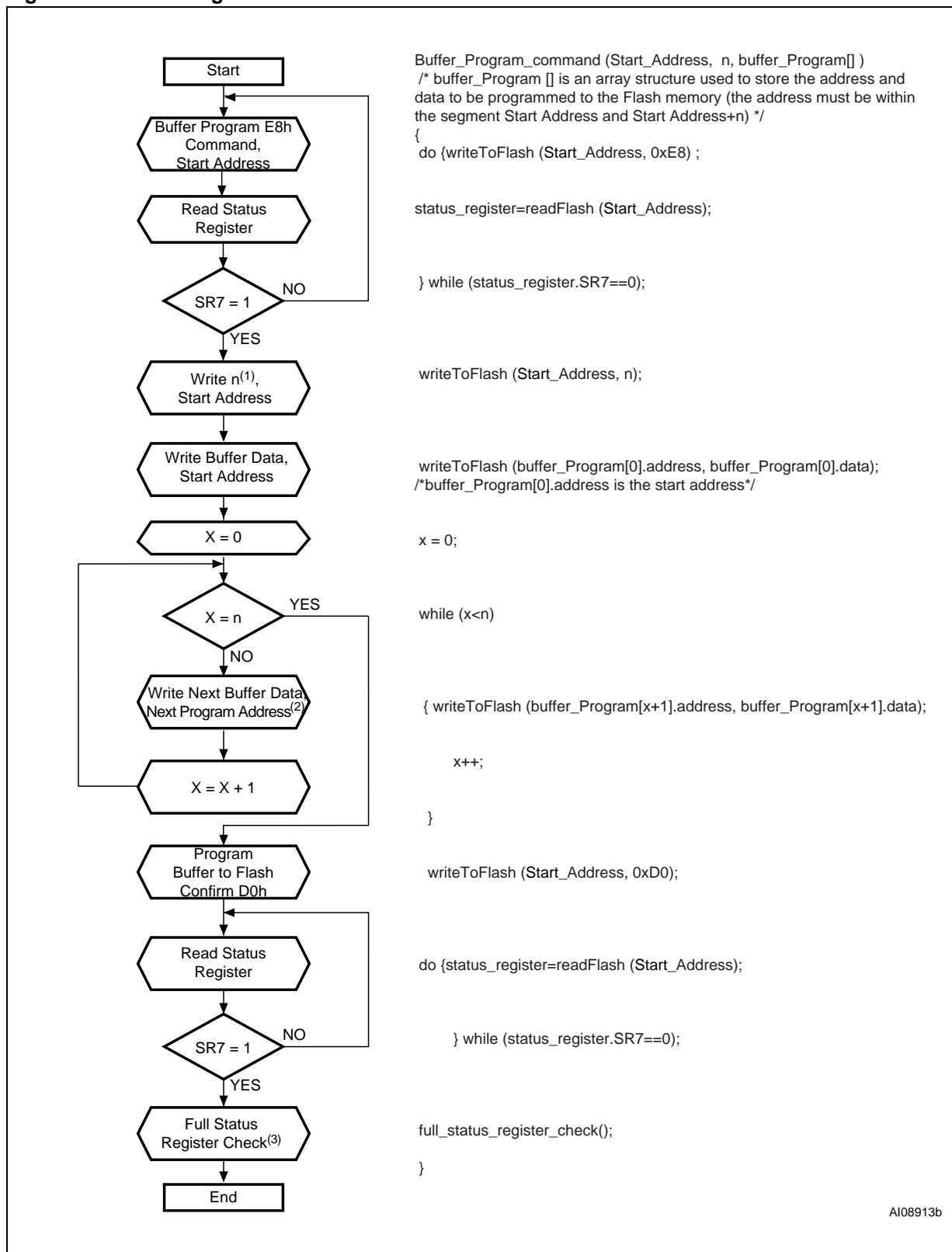


Note: 1. Status check of SR1 (Protected Block), SR3 (Vpp Invalid) and SR4 (Program Error) can be made after each program operation or after a sequence.

2. If an error is found, the Status Register must be cleared before further Program/Erase Controller operations.

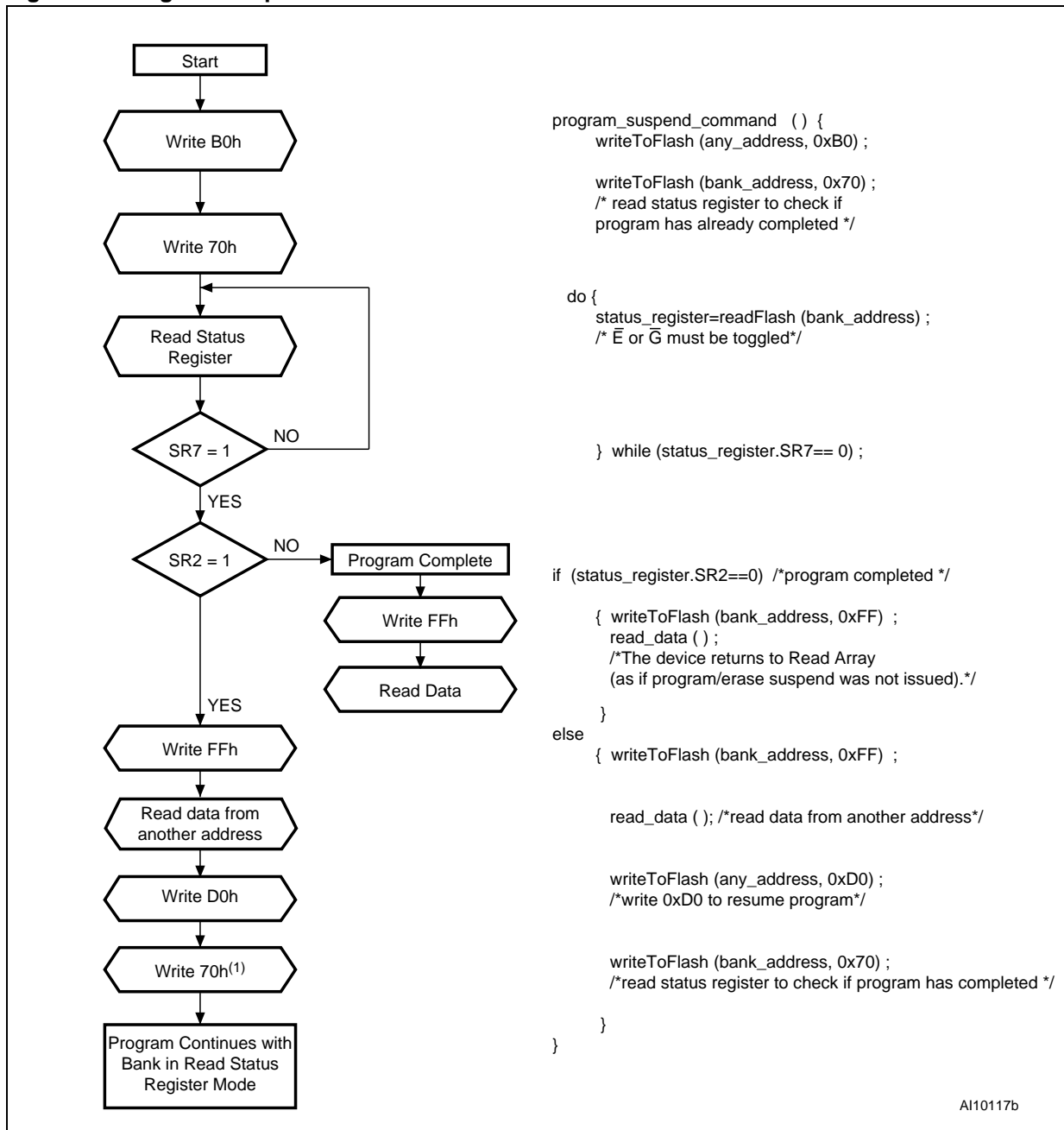
3. Any address within the bank can equally be used.

Figure 23. Buffer Program Flowchart and Pseudo Code



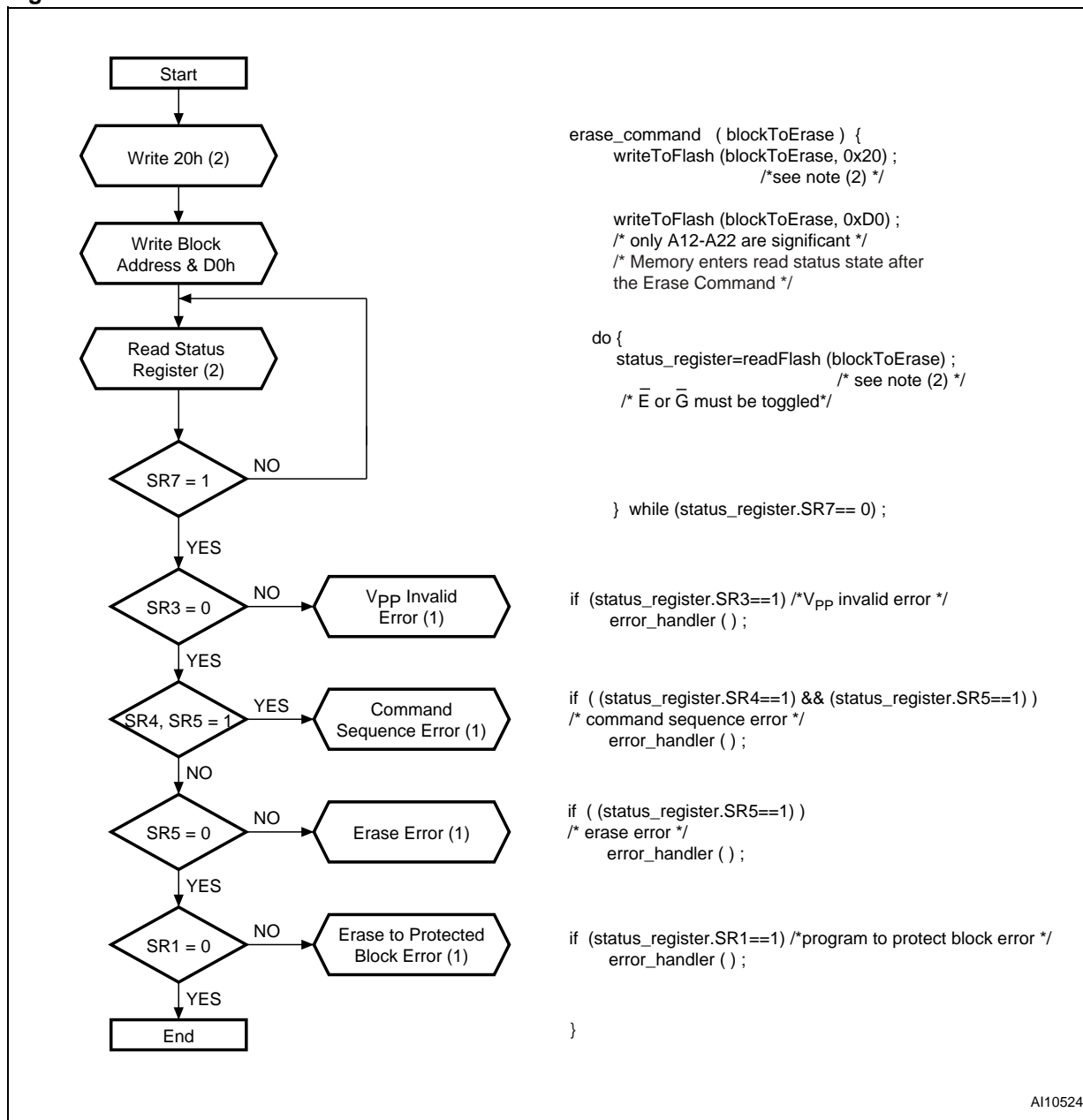
AI08913b

Figure 24. Program Suspend & Resume Flowchart and Pseudo Code



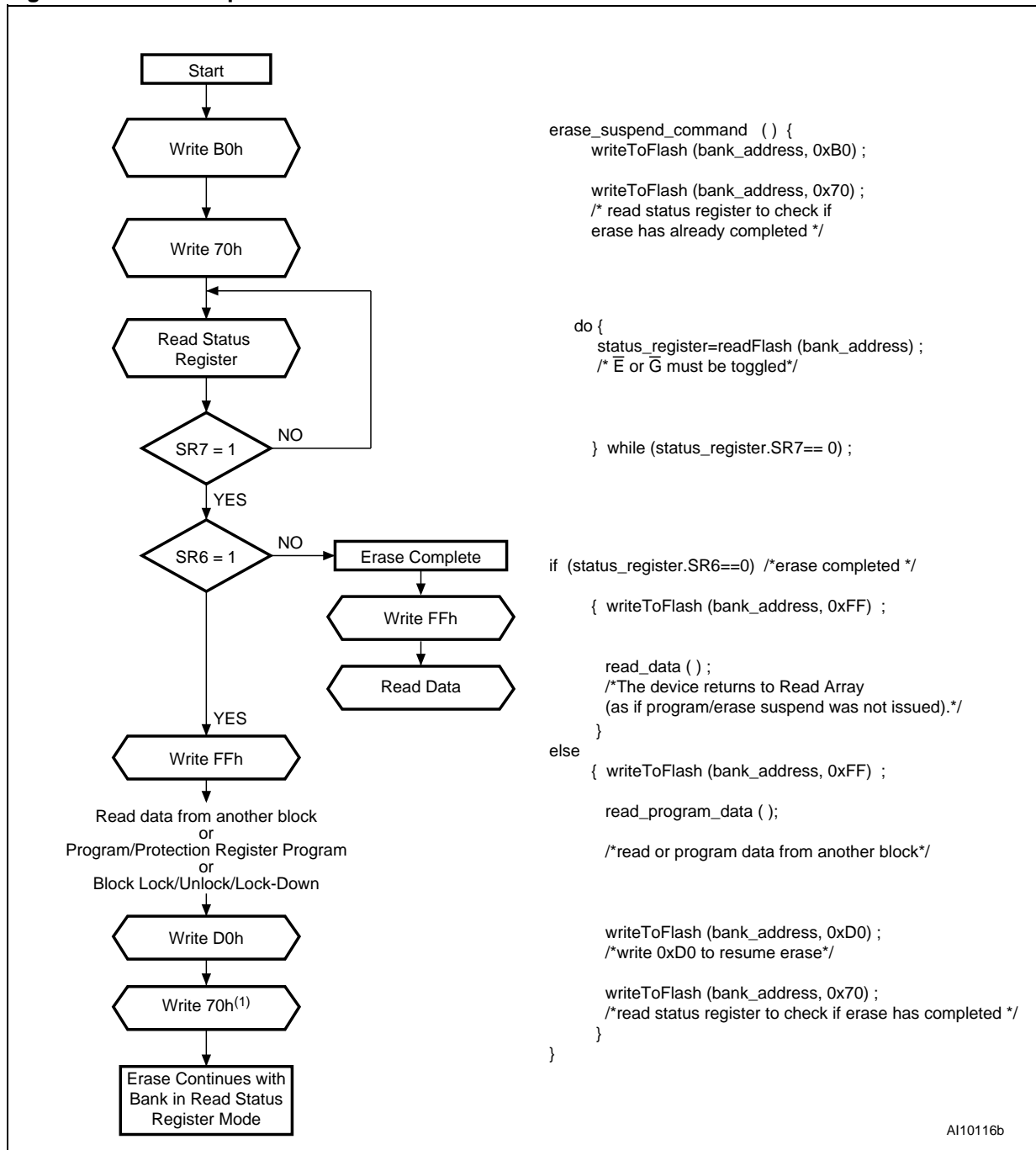
Note: The Read Status Register command (Write 70h) can be issued just before or just after the Program Resume command.

Figure 25. Block Erase Flowchart and Pseudo Code



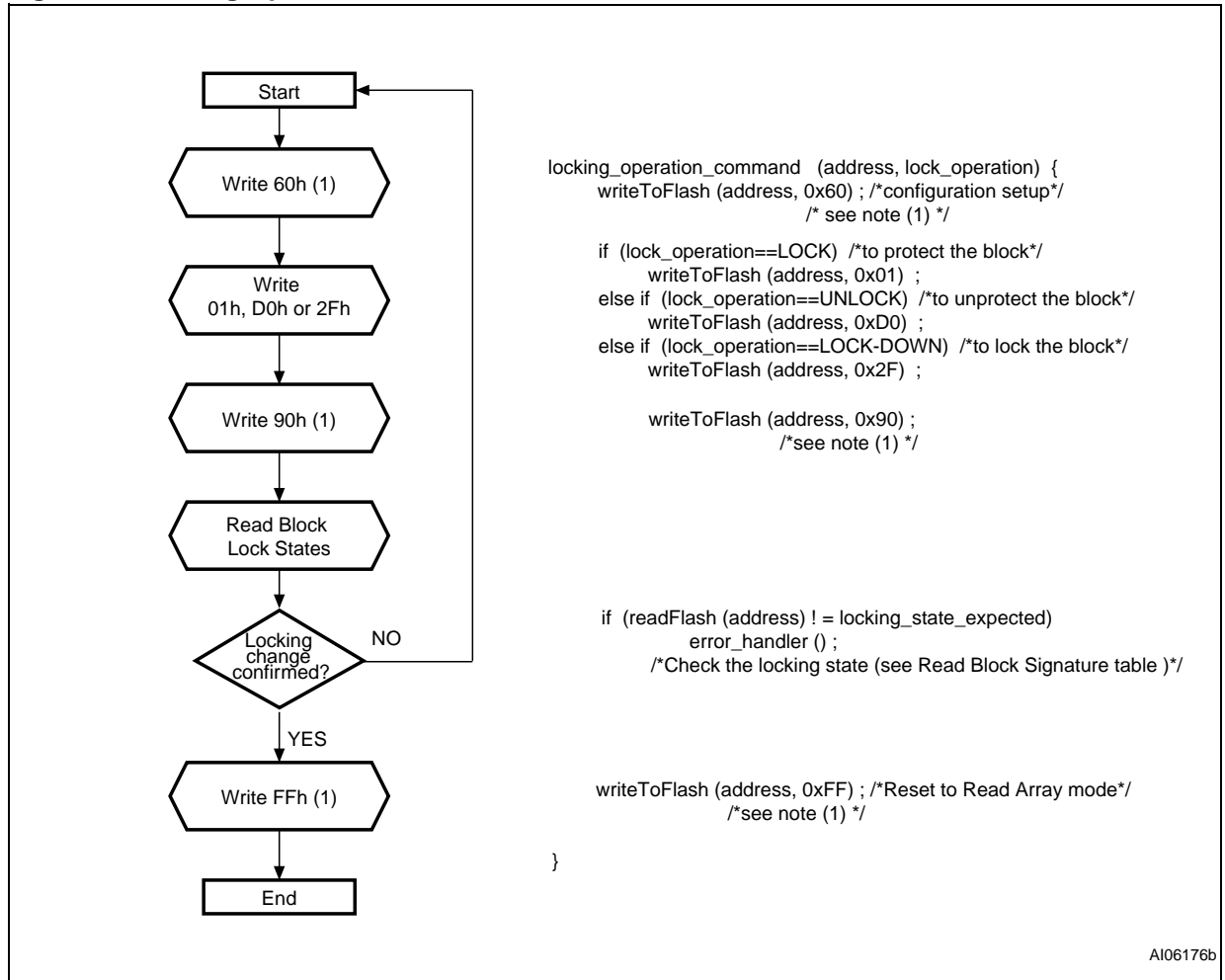
Note: 1. If an error is found, the Status Register must be cleared before further Program/Erase operations.
 2. Any address within the bank can equally be used.

Figure 26. Erase Suspend & Resume Flowchart and Pseudo Code



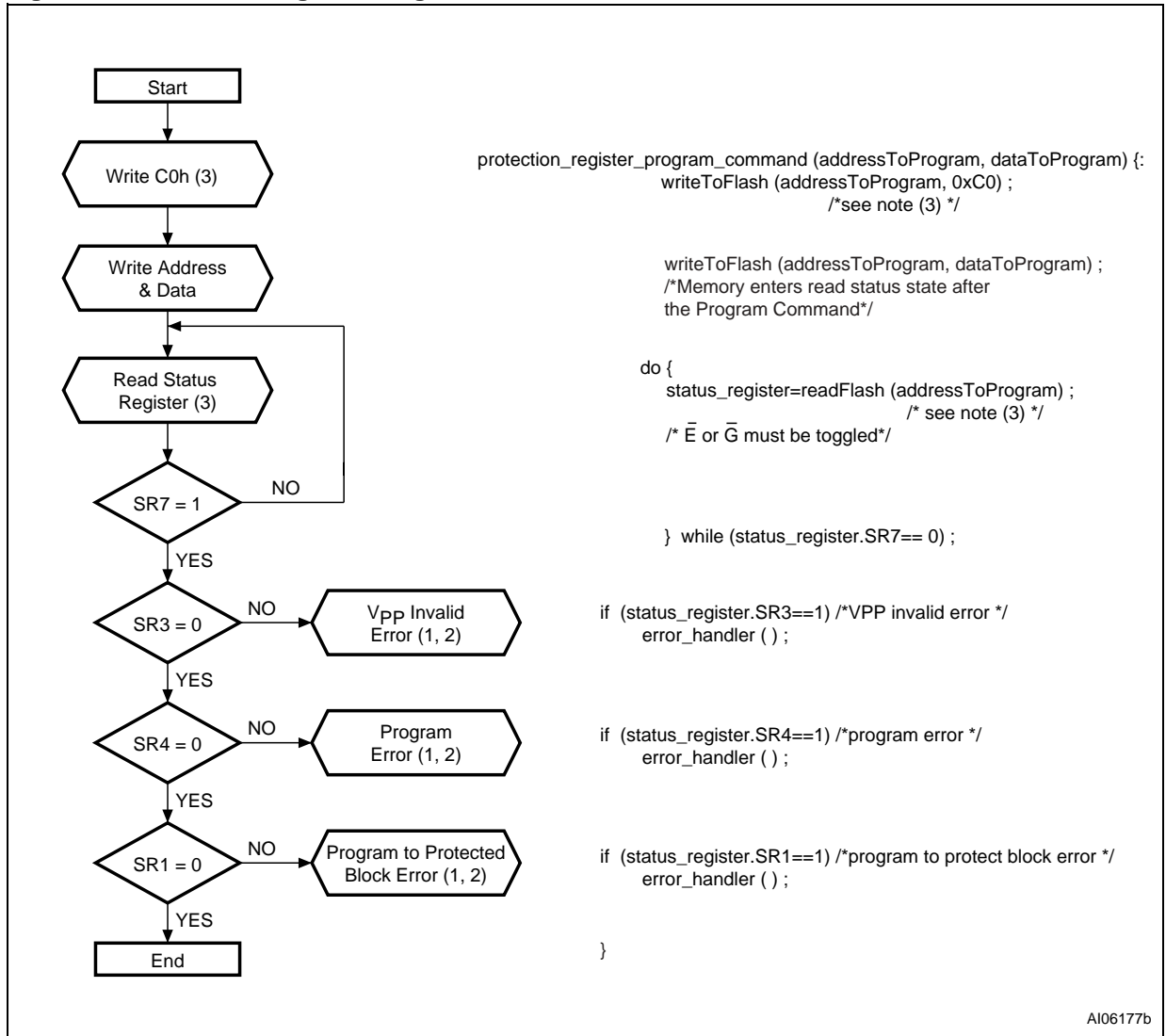
Note: The Read Status Register command (Write 70h) can be issued just before or just after the Erase Resume command.

Figure 27. Locking Operations Flowchart and Pseudo Code



Note: 1. Any address within the bank can equally be used.

Figure 28. Protection Register Program Flowchart and Pseudo Code

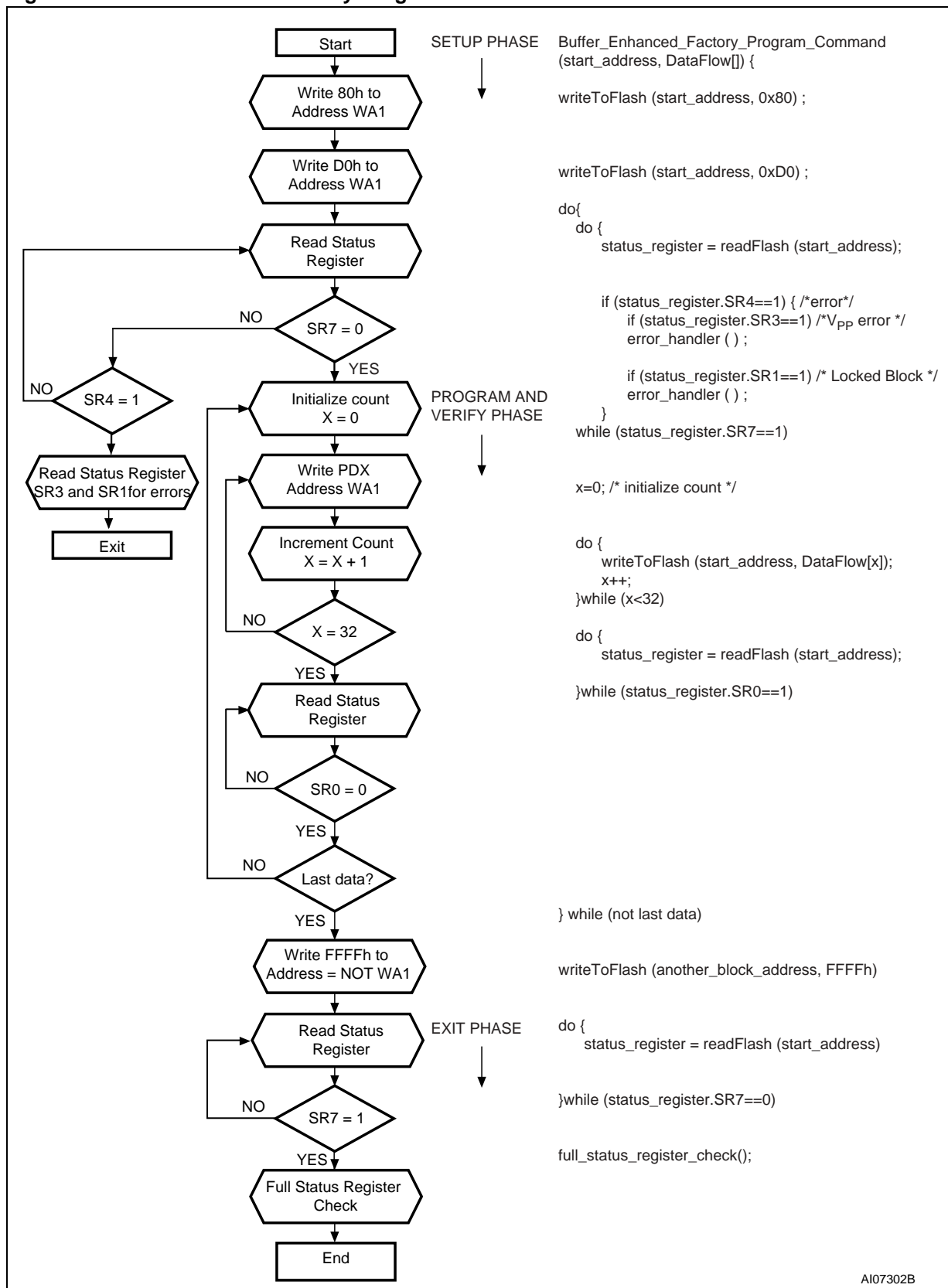


Note: 1. Status check of SR1 (Protected Block), SR3 (V_{PP} Invalid) and SR4 (Program Error) can be made after each program operation or after a sequence.

2. If an error is found, the Status Register must be cleared before further Program/Erase Controller operations.

3. Any address within the bank can equally be used.

Figure 29. Buffer Enhanced Factory Program Flowchart and Pseudo Code



AI07302B

APPENDIX D. COMMAND INTERFACE STATE TABLES

Table 41. Command Interface States - Modify Table, Next State

Current CI State	Command Input									
	Read Array ⁽²⁾ (FFh)	Program Setup ^(3,4) (10/40h)	Buffer Program ^(3,4) (E8h)	Block Erase, Setup ^(3,4) (20h)	BEFP Setup (80h)	Erase Confirm P/E Resume, Block Unlock confirm, BEFP Confirm ^(3,4) (D0h)	Buffer Program, Program/ Erase Suspend (B0h)	Read Status Register (70h)	Clear status Register ⁽⁵⁾ (50h)	Read Electronic Signature, Read CFI Query (90h, 98h)
Ready	Ready	Program Setup	Buffer Program Setup	Erase Setup	BEFP Setup	Ready				
Lock/CR Setup	Ready (Lock Error)					Ready (unlock block)	Ready (Lock Error)			
OTP	Setup	OTP Busy								
	Busy									
Program	Setup	Program Busy								
	Busy	Program Busy					Program Suspend	Program Busy		
	Suspend	Program Suspend				Program Busy	Program Suspend			
Buffer Program	Setup	Buffer Program Load 1 (give word count load (N-1));								
	Buffer Load 1	if N=0 go to Buffer Program Confirm. Else (N not =0) go to Buffer Program Load 2 (data load)								
	Buffer Load 2	Buffer Program Confirm when count =0; Else Buffer Program Load 2 (note: Buffer Program will fail at this point if any block address is different from the first address)								
	Confirm	Ready (error)				Buffer Program Busy	Ready (error)			
	Busy	Buffer Program Busy					Buffer Program Suspend	Buffer Program Busy		
	Suspend	Buffer Program Suspend				Buffer Program Busy	Buffer Program Suspend			
Erase	Setup	Ready (error)				Erase Busy	Ready (error)			
	Busy	Erase Busy					Erase Suspend	Erase Busy		
	Suspend	Erase Suspend	Program in Erase Suspend	Buffer Program Setup in Erase Suspend	Erase Suspend	Erase Busy	Erase Suspend			
Program in Erase Suspend	Setup	Program Busy in Erase Suspend								
	Busy	Program Busy in Erase Suspend					Program Suspend in Erase Suspend	Program Busy in Erase Suspend		
	Suspend	Program Suspend in Erase Suspend				Program Busy in Erase Suspend	Program Suspend in Erase Suspend			

M30L0R7000T0, M30L0R7000B0

Current CI State		Command Input									
		Read Array ⁽²⁾ (FFh)	Program Setup ^(3,4) (10/40h)	Buffer Program ^(3,4) (E8h)	Block Erase, Setup ^(3,4) (20h)	BEFP Setup (80h)	Erase Confirm P/E Resume, Block Unlock confirm, BEFP Confirm ^(3,4) (D0h)	Buffer Program, Program/ Erase Suspend (B0h)	Read Status Register (70h)	Clear status Register ⁽⁵⁾ (50h)	Read Electronic Signature, Read CFI Query (90h, 98h)
Buffer Program in Erase Suspend	Setup	Buffer Program Load 1 in Erase Suspend (give word count load (N-1)); if N=0 go to Buffer Program confirm. Else (N not =0) go to Buffer Program Load 2									
	Buffer Load 1	Buffer Program Load 2 in Erase Suspend (data load)									
	Buffer Load 2	Buffer Program Confirm in Erase Suspend when count =0; Else Buffer Program Load 2 in Erase Suspend (note: Buffer Program will fail at this point if any block address is different from the first address)									
	Confirm	Ready (error)				Buffer Program Busy in Erase Suspend	Ready (error)				
	Busy	Buffer Program Busy in Erase Suspend					Buffer Program Suspend in Erase Suspend	Buffer Program Busy in Erase Suspend			
	Suspend	Buffer Program Suspend in Erase Suspend				Buffer Program Busy in Erase Suspend	Buffer Program Suspend in Erase Suspend				
Lock/CR Setup in Erase Suspend		Erase Suspend (Lock Error)				Erase Suspend	Erase Suspend (Lock Error)				
Buffer EFP	Setup	Ready (error)				BEFP Busy	Ready (error)				
	Busy	BEFP Busy ⁽⁶⁾									

- Note: 1. CI = Command Interface, CR = Configuration Register, BEFP = Buffer Enhanced Factory Program, P/E. C. = Program/Erase Controller.
 2. At Power-Up, all banks are in Read Array mode. Issuing a Read Array command to a busy bank, results in undetermined data output.
 3. The two cycle command should be issued to the same bank address.
 4. If the P/E.C. is active, both cycles are ignored.
 5. The Clear Status Register command clears the Status Register error bits except when the P/E.C. is busy or suspended.
 6. BEFP is allowed only when Status Register bit SR0 is set to '0'. BEFP is busy if Block Address is first BEFP Address. Any other commands are treated as data.



Table 42. Command Interface States - Modify Table, Next Output State

Current CI State	Command Input									
	Read Array (3) (FFh)	Program Setup (4,5) (10/40h)	Buffer Program (E8h)	Block Erase, Setup (4,5) (20h)	BEFP Setup (80h)	Erase Confirm P/E Resume, Block Unlock confirm, BEFP Confirm (4,5) (D0h)	Program/ Erase Suspend (B0h)	Read Status Register (70h)	Clear status Register (50h)	Read Electronic signature, Read CFI Query (90h, 98h)
Program Setup	Status Register									
Erase Setup										
OTP Setup										
Program in Erase Suspend										
BEFP Setup										
BEFP Busy										
Buffer Program Setup										
Buffer Program Load 1										
Buffer Program Load 2										
Buffer Program Confirm										
Buffer Program Setup in Erase Suspend										
Buffer Program Load 1 in Erase Suspend										
Buffer Program Load 2 in Erase Suspend										
Buffer Program Confirm in Erase Suspend										
Lock/CR Setup										
Lock/CR Setup in Erase Suspend										
OTP Busy	Array	Status Register				Output Unchanged	Status Register	Output Unchanged	Status Register	
Ready		Electronic Signature/ CFI								
Program Busy										
Erase Busy										
Buffer Program Busy										
Program/Eraser Suspend										
Buffer Program Suspend										
Program Busy in Erase Suspend										
Buffer Program Busy in Erase Suspend										
Program Suspend in Erase Suspend										
Buffer Program Suspend in Erase Suspend										

- Note: 1. The output state shows the type of data that appears at the outputs if the bank address is the same as the command address. A bank can be placed in Read Array, Read Status Register, Read Electronic Signature or Read CFI mode, depending on the command issued. Each bank remains in its last output state until a new command is issued to that bank. The next state does not depend on the bank output state.
2. CI = Command Interface, CR = Configuration Register, BEFP = Buffer Enhanced Factory Program, P/E. C. = Program/Eraser Controller.
3. At Power-Up, all banks are in Read Array mode. Issuing a Read Array command to a busy bank, results in undetermined data output.
4. The two cycle command should be issued to the same bank address.
5. If the P/E.C. is active, both cycles are ignored.

Table 43. Command Interface States - Lock Table, Next State

Current CI State		Command Input							WSM Operation Completed
		Lock/CR Setup ⁽²⁾ (60h)	OTP Setup (2) (C0h)	Block Lock Confirm (01h)	Block Lock-Down Confirm (2Fh)	Set CR Confirm (03h)	Block Address (WA0) ⁽³⁾ (XXXXh)	Illegal Command (5)	
Ready		Lock/CR Setup	OTP Setup	Ready				N/A	
Lock/CR Setup		Ready (Lock error)		Ready			Ready (Lock error)	N/A	
OTP	Setup	OTP Busy						N/A	
	Busy							Ready	
Program	Setup	Program Busy						N/A	
	Busy	Program Busy						Ready	
	Suspend	Program Suspend						N/A	
Buffer Program	Setup	Buffer Program Load 1 (give word count load (N-1));						N/A	
	Buffer Load 1	Buffer Program Load 2 ⁽⁶⁾				Exit	see note ⁽⁶⁾	N/A	
	Buffer Load 2	Buffer Program Confirm when count =0; Else Buffer Program Load 2 (note: Buffer Program will fail at this point if any block address is different from the first address)						N/A	
	Confirm	Ready (error)						N/A	
	Busy	Buffer Program Busy						Ready	
	Suspend	Buffer Program Suspend						N/A	
Erase	Setup	Ready (error)						N/A	
	Busy	Erase Busy						Ready	
	Suspend	Lock/CR Setup in Erase Suspend	Erase Suspend					N/A	
Program in Erase Suspend	Setup	Program Busy in Erase Suspend						N/A	
	Busy	Program Busy in Erase Suspend						Erase Suspend	
	Suspend	Program Suspend in Erase Suspend						N/A	
Buffer Program in Erase Suspend	Setup	Buffer Program Load 1 in Erase Suspend (give word count load (N-1))							
	Buffer Load 1	Buffer Program Load 2 in Erase Suspend ⁽⁷⁾				Exit	see note ⁽⁷⁾		
	Buffer Load 2	Buffer Program Confirm in Erase Suspend when count =0; Else Buffer Program Load 2 in Erase Suspend (note: Buffer Program will fail at this point if any block address is different from the first address)							
	Confirm	Ready (error)							
	Busy	Buffer Program Busy in Erase Suspend							
	Suspend	Buffer Program Suspend in Erase Suspend							
Lock/CR Setup in Erase Suspend		Erase Suspend (Lock error)	Erase Suspend			Erase Suspend (Lock error)		N/A	
BEFP	Setup	Ready (error)						N/A	
	Busy	BEFP Busy ⁽⁴⁾				Exit	BEFP Busy ⁽⁴⁾	N/A	

- Note: 1. CI = Command Interface, CR = Configuration Register, BEFP = Buffer Enhanced Factory Program, P/E. C. = Program/Erase Controller, WA0 = Address in a block different from first BEFP address.
 2. If the P/E.C. is active, both cycles are ignored.
 3. BEFP Exit when Block Address is different from first Block Address and data are FFFFh.
 4. BEFP is allowed only when Status Register bit SR0 is set to '0'. BEFP is busy if Block Address is first BEFP Address. Any other commands are treated as data.
 5. Illegal commands are those not defined in the command set.
 6. if N=0 go to Buffer Program Confirm. Else (N ≠ 0) go to Buffer Program Load 2 (data load).
 7. if N=0 go to Buffer Program Confirm in Erase Suspend. Else (N ≠ 0) go to Buffer Program Load 2 in Erase Suspend.



Table 44. Command Interface States - Lock Table, Next Output State

Current CI State	Command Input								
	Lock/CR Setup ⁽³⁾ (60h)	OTP Setup ⁽³⁾ (C0h)	Block Lock Confirm (01h)	Block Lock-Down Confirm (2Fh)	Set CR Confirm (03h)	BEFP Exit ⁽⁴⁾ (FFFFh)	Illegal Command (5)	WSM Operation Completed	
Program Setup	Status Register								Output Unchanged
Erase Setup									
OTP Setup									
Program in Erase Suspend									
BEFP Setup									
BEFP Busy									
Buffer Program Setup									
Buffer Program Load 1									
Buffer Program Load 2									
Buffer Program Confirm									
Buffer Program Setup in Erase Suspend									
Buffer Program Load 1 in Erase Suspend									
Buffer Program Load 2 in Erase Suspend									
Buffer Program Confirm in Erase Suspend									
Lock/CR Setup	Status Register				Array	Status Register			
Lock/CR Setup in Erase Suspend									
OTP Busy	Status Register	Output Unchanged				Array	Output Unchanged		
Ready									
Program Busy									
Erase Busy									
Buffer Program Busy									
Program/Erase Suspend									
Buffer Program Suspend									
Program Busy in Erase Suspend									
Buffer Program Busy in Erase Suspend									
Program Suspend in Erase Suspend									
Buffer Program Suspend in Erase Suspend									

- Note: 1. The output state shows the type of data that appears at the outputs if the bank address is the same as the command address. A bank can be placed in Read Array, Read Status Register, Read Electronic Signature or Read CFI mode, depending on the command issued. Each bank remains in its last output state until a new command is issued to that bank. The next state does not depend on the bank's output state.
2. CI = Command Interface, CR = Configuration Register, BEFP = Buffer Enhanced Factory Program, P/E. C. = Program/Erase Controller, WA0 = Address in a block different from first BEFP address.
3. If the P/E.C. is active, both cycles are ignored.
4. BEFP Exit when Block Address is different from first Block Address and data are FFFFh.
5. Illegal commands are those not defined in the command set.

REVISION HISTORY

Table 45. Document Revision History

Date	Version	Revision Details
05-May-2003	0.1	First Issue
17-Mar-2004	0.2	<p>Write to Buffer and Program command renamed Buffer Program command. Clear Status Register Command, Set Configuration Register Command and Synchronous Burst Read Mode clarified.</p> <p>Table 15., Program, Erase Times and Endurance Cycles reformatted, and Buffer Enhanced Factory Program timings added.</p> <p>In Table 19., DC Characteristics - Currents, I_{DD1}, I_{DD2}, I_{DD3}, I_{DD4}, I_{DD6} and I_{DD7}, values changed and 16 Word burst values added. V_{PP1} and V_{PLLK} values modified in Table 20., DC Characteristics - Voltages.</p> <p>APPENDIX A., BLOCK ADDRESS TABLES reformatted. In APPENDIX B., COMMON FLASH INTERFACE, 0 added in front of 2-digit offset values. Data modified at address offset (P + 1D)_h = 127_h in Table 37., Burst Read Information.</p> <p>Figure 29., Buffer Enhanced Factory Program Flowchart and Pseudo Code modified. APPENDIX D., COMMAND INTERFACE STATE TABLES added.</p>
03-Dec-2004	1.0	<p>Figure 24., Program Suspend & Resume Flowchart and Pseudo Code, Figure 25., Block Erase Flowchart and Pseudo Code and Figure 26., Erase Suspend & Resume Flowchart and Pseudo Code modified. Flowchart modified and Pseudo code added to Figure 23., Buffer Program Flowchart and Pseudo Code. Small text changes. Alt symbol for t_{AVWH} and t_{AVEH} removed from Tables 23 and 24, respectively.</p> <p>TFBGA88 package fully compliant with the ST ECOPACK specification.</p> <p>Document status promoted from Target Specification to full Datasheet.</p>

Information furnished is believed to be accurate and reliable. However, STMicroelectronics assumes no responsibility for the consequences of use of such information nor for any infringement of patents or other rights of third parties which may result from its use. No license is granted by implication or otherwise under any patent or patent rights of STMicroelectronics. Specifications mentioned in this publication are subject to change without notice. This publication supersedes and replaces all information previously supplied. STMicroelectronics products are not authorized for use as critical components in life support devices or systems without express written approval of STMicroelectronics.

The ST logo is a registered trademark of STMicroelectronics.
ECOPACK is a registered trademark of STMicroelectronics.
All other names are the property of their respective owners

© 2004 STMicroelectronics - All rights reserved

STMicroelectronics group of companies
Australia - Belgium - Brazil - Canada - China - Czech Republic - Finland - France - Germany - Hong Kong - India - Israel - Italy - Japan -
Malaysia - Malta - Morocco - Singapore - Spain - Sweden - Switzerland - United Kingdom - United States of America
www.st.com