

STK58C290 / STK58C291 DECODER & ENCODER

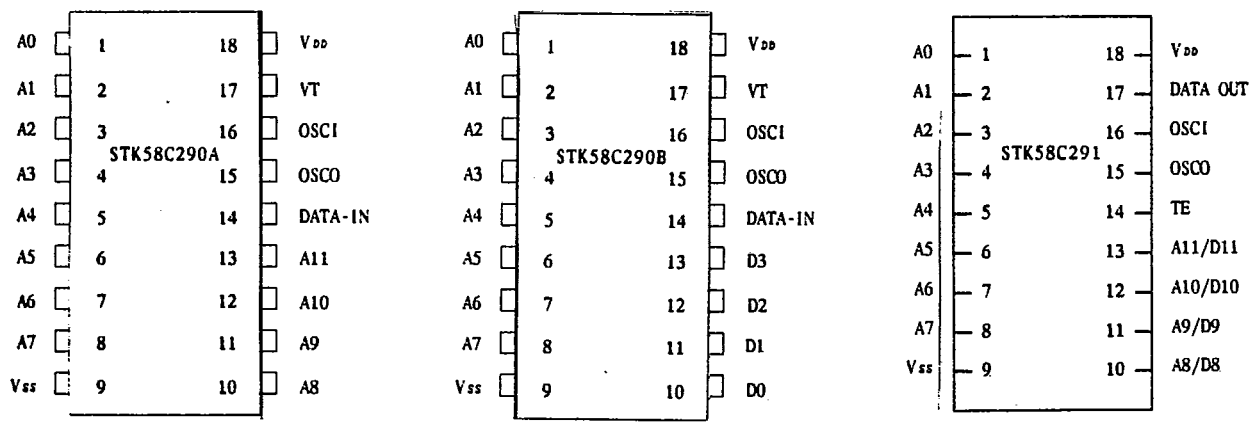
GENERAL DESCRIPTION

The STK58C290/STK58C291 are CMOS LSI which are designed for the digital code Transmitter-Receiver system. The STK58C291 is an Encoder, STK58C290 is a Decoder. In the Transmitter, The STK58C291 will sequentially encode and transmit the 12 bits of inputs. Each of the 12 inputs may be 1 or 0 (V_{DD} or GND) to allow 4096 different codes. In the Receiver, The STK58C290 has two types. The STK58C290A is capable of decoding the transmitted signal and making a comparison to the local address code for identification. The STK58C290B is capable of decoding the transmitted signal and receiving 4 bits data from STK58C291.

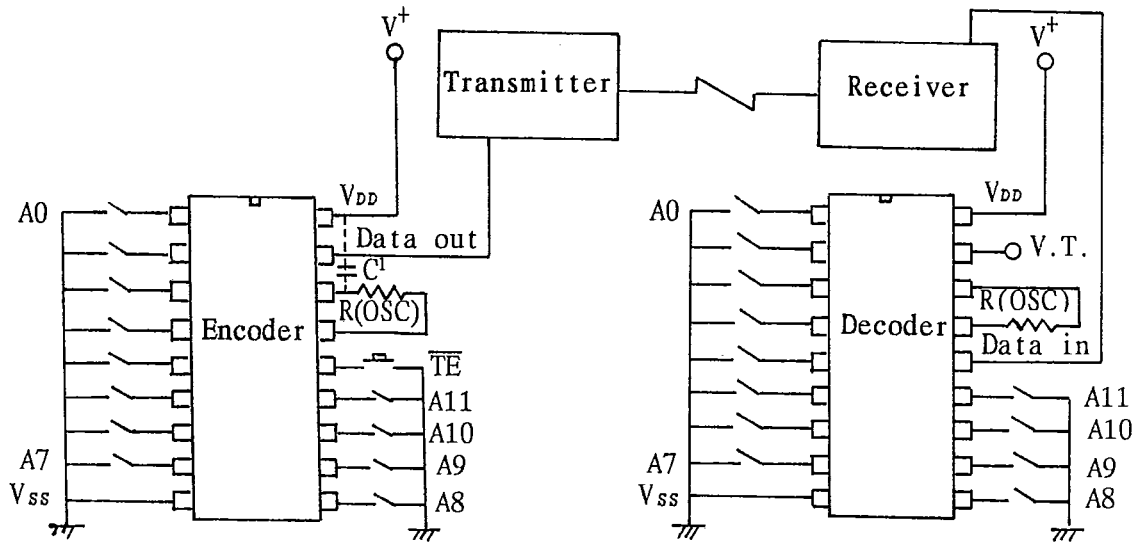
FEATURES

- * wide operating voltage 2-13V.
- * Low power, high noise immunity CMOS technology.
- * Built in oscillator.
- * Minimum external components.
- * Four times transmissions for error checking.
- * Easy interface with RF, Ultrasonic or Infrared Transmission Medias.

PIN CONFIGURATION



APPLICATION DIAGRAM :



APPLICATION DIAGRAM :

