

LPX40/60 Enclosure

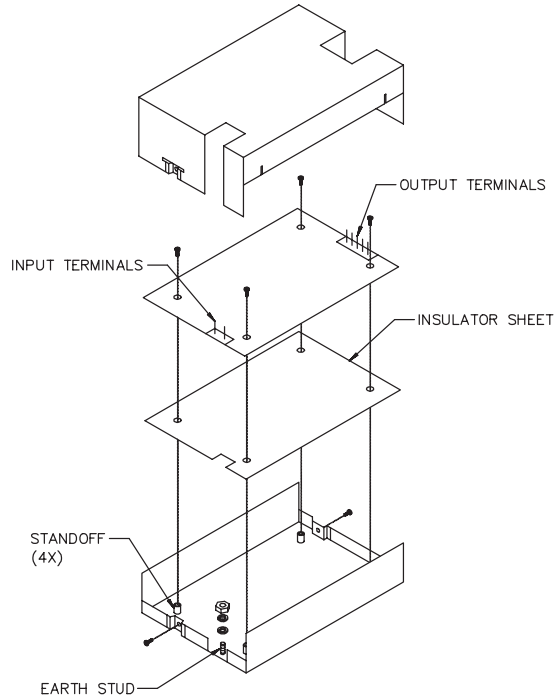
Installation Notes

LPX40 and LPX60 • Cover Enclosure Kit

LPX40 will fit the LPX2X and LPX4X
power supplies.
LPX60 will fit LPX6X power supplies.

Materials

- 1 Base
 - 1 Cover (top and sides perforated)
 - 6 M3 x 6mm screws with captive washer
 - 1 M4 nut
 - 1 M4 star washer
 - 1 M4 spring washer
 - 1 Plastic insulator sheet
- } For earth stud



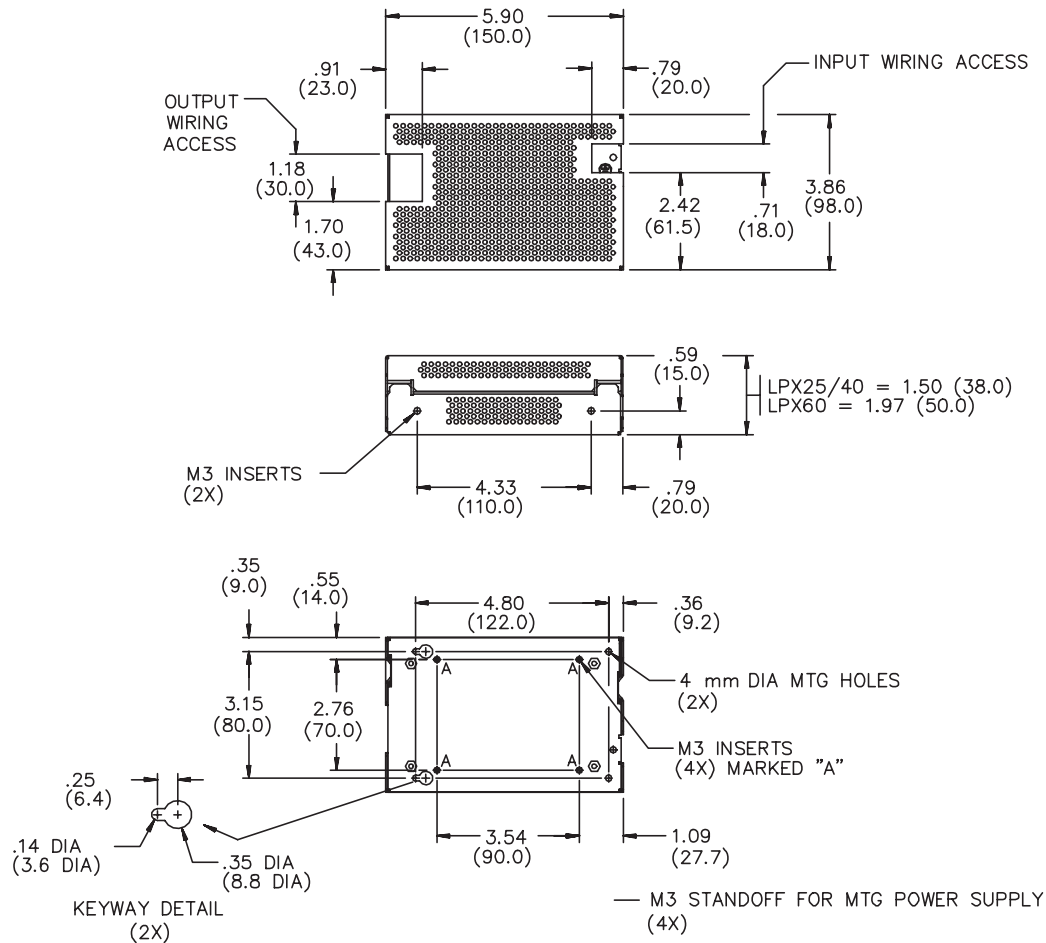
Rev. 7.01.09_39
LPX40/60 Enclosure
1 of 2

Installation Instructions and Notes

1. Place the insulator over the chassis as shown
2. Place the power supply over the insulator as shown
3. Align the power supply to the chassis standoff
4. Secure 4 pan head screws with washer provided with in kit as shown
5. Place the cover over the chassis
6. Align the cover to the U-bracket countersink holes
7. Secure 2 countersink screws provided with in kit as shown
8. Overall dimensions:
LPX 25/40: 5.9 (150) x 3.86 (98) x 1.5 (38)
LPX 60: 5.9 (150) x 3.86 (98) x 1.97 (50)
9. Base plate has three sets of customer mountings:
 - a. Bottom mounting (4X) M3 inserts. Max. screw penetration 0.0787 (2mm)
 - b. Side mounting (2X) 4mm clear holes plus 2 keyways. (See keyway detail)
 - c. Side mounting (4X) M3 inserts. Max. screw penetration 0.236 (6mm)
10. Ensure insulator is correctly fitted in base under PCB to maintain safety creepage and clearances.
11. Ensure base is firmly connected to supply earth via the earth stud marked Ⓧ
12. When using this enclosure, ensure that relevant safety standards (e.g. EN60950) are complied with, in respect to creepage and clearance distances, and distances through insulation.
13. All dimensions are in inches (mm)



Mechanical Drawing



Americas

5810 Van Allen Way
Carlsbad, CA 92008
USA
Telephone: +1 760 930 4600
Facsimile: +1 760 930 0698

Europe (UK)

Waterfront Business Park
Merry Hill, Dudley
West Midlands, DY5 1LX
United Kingdom
Telephone: +44 (0) 1384 842 211
Facsimile: +44 (0) 1384 843 355

Asia (HK)

14/F, Lu Plaza
2 Wing Yip Street
Kwun Tong, Kowloon
Hong Kong
Telephone: +852 2176 3333
Facsimile: +852 2176 3888

For global contact, visit:

www.PowerConversion.com
techsupport.embeddedpower@emerson.com

While every precaution has been taken to ensure accuracy and completeness in this literature, Emerson Network Power assumes no responsibility, and disclaims all liability for damages resulting from use of this information or for any errors or omissions.

Emerson Network Power.
The global leader in enabling
business-critical continuity.

- AC Power
- Connectivity
- DC Power
- Embedded Computing
- Embedded Power
- Monitoring
- Outside Plant
- Power Switching & Controls
- Precision Cooling
- Racks & Integrated Cabinets
- Services
- Surge Protection

EmersonNetworkPower.com

Emerson Network Power and the Emerson Network Power logo are trademarks and service marks of Emerson Electric Co.
©2009 Emerson Electric Co.