

# BF908; BF908R

Dual-gate MOS-FETs

Rev. 03 — 14 November 2007

Product data sheet

## IMPORTANT NOTICE

Dear customer,

As from October 1st, 2006 Philips Semiconductors has a new trade name - NXP Semiconductors, which will be used in future data sheets together with new contact details.

In data sheets where the previous Philips references remain, please use the new links as shown below.

<http://www.philips.semiconductors.com> use <http://www.nxp.com>

<http://www.semiconductors.philips.com> use <http://www.nxp.com> (Internet)

[sales.addresses@www.semiconductors.philips.com](mailto:sales.addresses@www.semiconductors.philips.com) use [salesaddresses@nxp.com](mailto:salesaddresses@nxp.com) (email)

The copyright notice at the bottom of each page (or elsewhere in the document, depending on the version)

- © Koninklijke Philips Electronics N.V. (year). All rights reserved -

is replaced with:

- © NXP B.V. (year). All rights reserved. -

If you have any questions related to the data sheet, please contact our nearest sales office via e-mail or phone (details via [salesaddresses@nxp.com](mailto:salesaddresses@nxp.com)). Thank you for your cooperation and understanding,

NXP Semiconductors

# Dual-gate MOS-FETs

# BF908; BF908R

**FEATURES**

- High forward transfer admittance
- Short channel transistor with high forward transfer admittance to input capacitance ratio
- Low noise gain controlled amplifier up to 1 GHz.

**APPLICATIONS**

- VHF and UHF applications with 12 V supply voltage, such as television tuners and professional communications equipment.

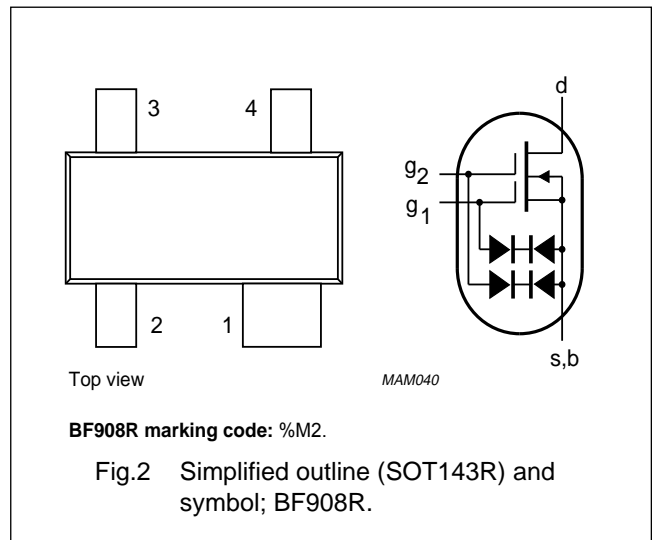
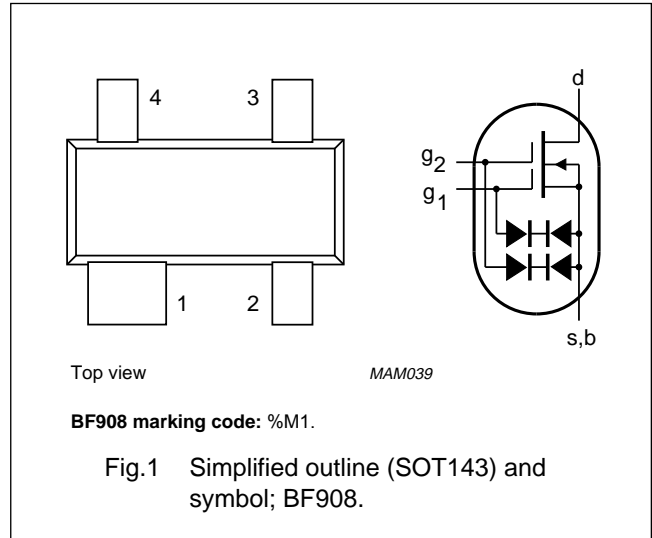
**DESCRIPTION**

Depletion type field-effect transistor in a plastic microminiature SOT143 or SOT143R package. The transistors are protected against excessive input voltage surges by integrated back-to-back diodes between gates and source.

<b>CAUTION</b>	
The device is supplied in an antistatic package. The gate-source input must be protected against static discharge during transport or handling.	

**PINNING**

PIN	SYMBOL	DESCRIPTION
1	s, b	source
2	d	drain
3	g <sub>2</sub>	gate 2
4	g <sub>1</sub>	gate 1



**QUICK REFERENCE DATA**

SYMBOL	PARAMETER	CONDITIONS	MIN.	TYP.	MAX.	UNIT
V <sub>DS</sub>	drain-source voltage		–	–	12	V
I <sub>D</sub>	drain current		–	–	40	mA
P <sub>tot</sub>	total power dissipation		–	–	200	mW
T <sub>j</sub>	operating junction temperature		–	–	150	°C
y <sub>fs</sub>	forward transfer admittance		36	43	50	mS
C <sub>ig1-s</sub>	input capacitance at gate 1		2.4	3.1	4	pF
C <sub>rs</sub>	reverse transfer capacitance	f = 1 MHz	20	30	45	pF
F	noise figure	f = 800 MHz	–	1.5	2.5	dB

Dual-gate MOS-FETs

BF908; BF908R

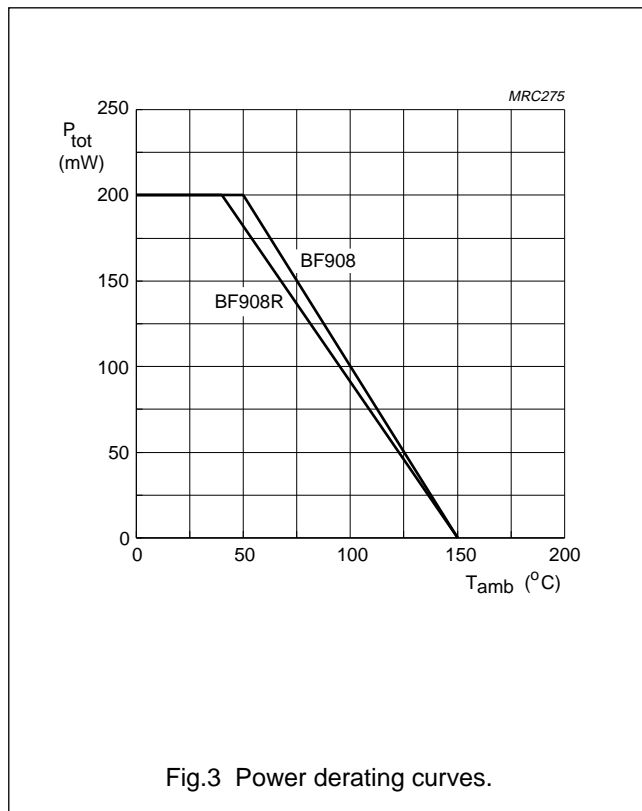
**LIMITING VALUES**

In accordance with the Absolute Maximum Rating System (IEC 134).

SYMBOL	PARAMETER	CONDITIONS	MIN.	MAX.	UNIT
$V_{DS}$	drain-source voltage		–	12	V
$I_D$	drain current		–	40	mA
$\pm I_{G1}$	gate 1 current		–	10	mA
$\pm I_{G2}$	gate 2 current		–	10	mA
$P_{tot}$	total power dissipation BF908 BF908R	see Fig.3; note 1 up to $T_{amb} = 50\text{ }^\circ\text{C}$ up to $T_{amb} = 40\text{ }^\circ\text{C}$	–	200 200	mW mW
$T_{stg}$	storage temperature		–65	+150	$^\circ\text{C}$
$T_j$	operating junction temperature		–	150	$^\circ\text{C}$

**Note**

1. Device mounted on a printed-circuit board.



## Dual-gate MOS-FETs

## BF908; BF908R

## THERMAL CHARACTERISTICS

SYMBOL	PARAMETER	CONDITIONS	VALUE	UNIT
$R_{th\ j-a}$	thermal resistance from junction to ambient	note 1		
	BF908		500	K/W
	BF908R		550	K/W

## Note

1. Device mounted on a printed-circuit board.

## STATIC CHARACTERISTICS

$T_j = 25\text{ }^\circ\text{C}$ ; unless otherwise specified.

SYMBOL	PARAMETER	CONDITIONS	MIN.	TYP.	MAX.	UNIT
$\pm V_{(BR)G1-SS}$	gate 1-source breakdown voltage	$V_{G2-S} = V_{DS} = 0$ ; $I_{G1-S} = 10\text{ mA}$	8	–	20	V
$\pm V_{(BR)G2-SS}$	gate 2-source breakdown voltage	$V_{G1-S} = V_{DS} = 0$ ; $I_{G2-S} = 10\text{ mA}$	8	–	20	V
$-V_{(P)G1-S}$	gate 1-source cut-off voltage	$V_{G2-S} = 4\text{ V}$ ; $V_{DS} = 8\text{ V}$ ; $I_D = 20\text{ }\mu\text{A}$	–	–	2	V
$-V_{(P)G2-S}$	gate 2-source cut-off voltage	$V_{G1-S} = 4\text{ V}$ ; $V_{DS} = 8\text{ V}$ ; $I_D = 20\text{ }\mu\text{A}$	–	–	1.5	V
$I_{DSS}$	drain-source current	$V_{G2-S} = 4\text{ V}$ ; $V_{DS} = 8\text{ V}$ ; $V_{G1-S} = 0$	3	15	27	mA
$\pm I_{G1-SS}$	gate 1 cut-off current	$V_{G2-S} = V_{DS} = 0$ ; $V_{G1-S} = 5\text{ V}$	–	–	50	nA
$\pm I_{G2-SS}$	gate 2 cut-off current	$V_{G1-S} = V_{DS} = 0$ ; $V_{G2-S} = 5\text{ V}$	–	–	50	nA

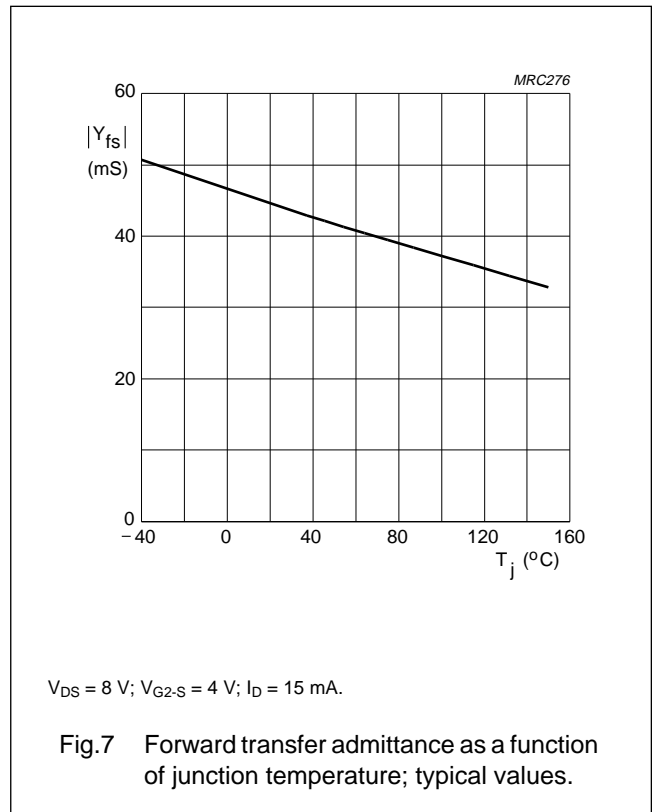
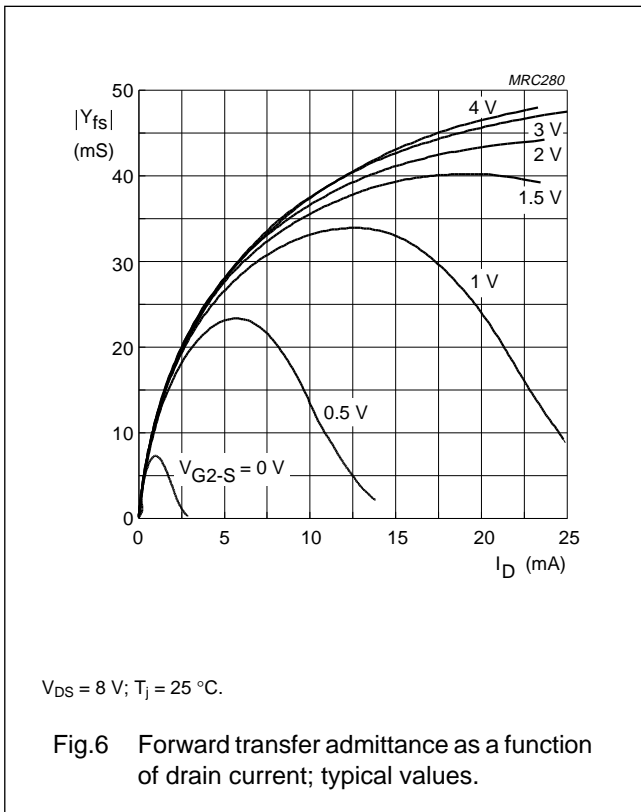
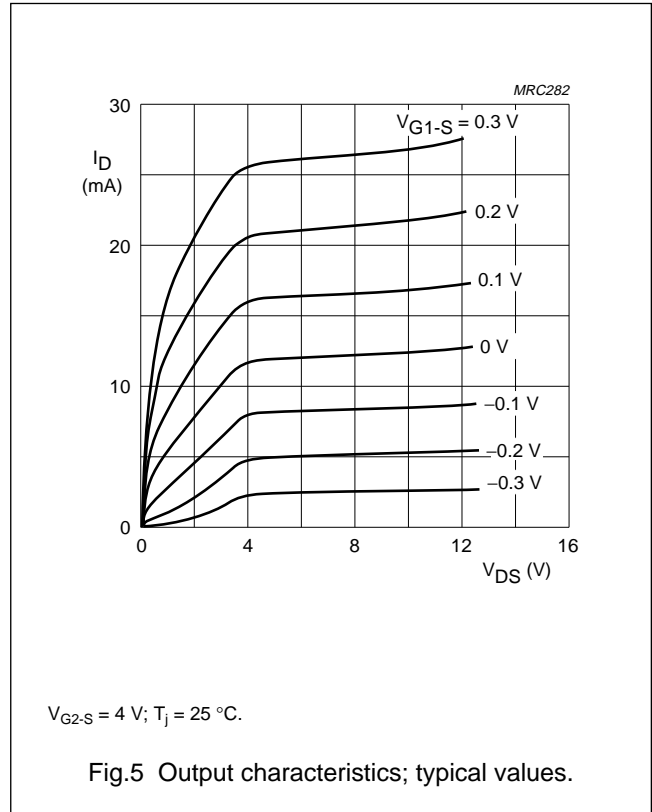
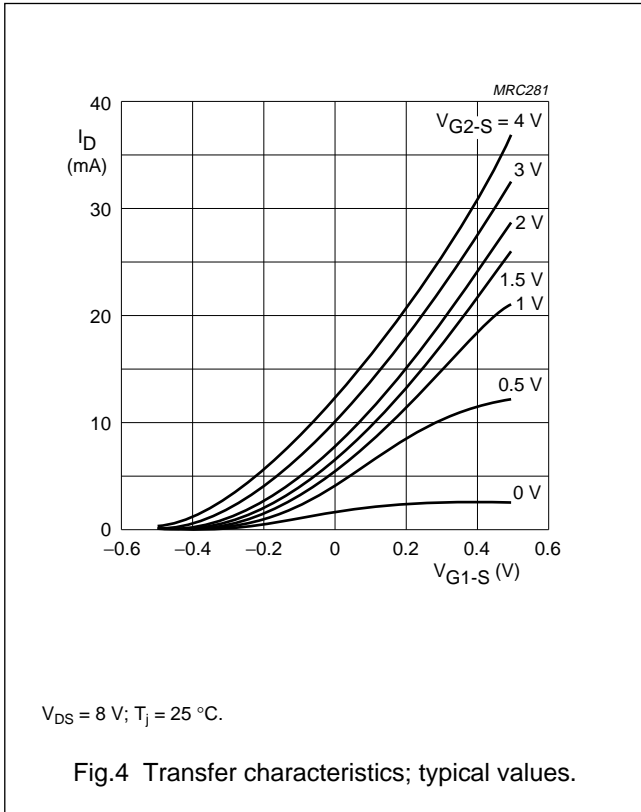
## DYNAMIC CHARACTERISTICS

Common source;  $T_{amb} = 25\text{ }^\circ\text{C}$ ;  $V_{DS} = 8\text{ V}$ ;  $V_{G2-S} = 4\text{ V}$ ;  $I_D = 15\text{ mA}$ ; unless otherwise specified.

SYMBOL	PARAMETER	CONDITIONS	MIN.	TYP.	MAX.	UNIT
$ y_{fs} $	forward transfer admittance	pulsed; $T_j = 25\text{ }^\circ\text{C}$ ; $f = 1\text{ MHz}$	36	43	50	mS
$C_{ig1-s}$	input capacitance at gate 1	$f = 1\text{ MHz}$	2.4	3.1	4	pF
$C_{ig2-s}$	input capacitance at gate 2	$f = 1\text{ MHz}$	1.2	1.8	2.5	pF
$C_{os}$	output capacitance	$f = 1\text{ MHz}$	1.2	1.7	2.2	pF
$C_{rs}$	reverse transfer capacitance	$f = 1\text{ MHz}$	20	30	45	fF
F	noise figure	$f = 200\text{ MHz}$ ; $G_S = 2\text{ mS}$ ; $B_S = B_{Sopt}$	–	0.6	1.2	dB
		$f = 800\text{ MHz}$ ; $G_S = G_{Sopt}$ ; $B_S = B_{Sopt}$	–	1.5	2.5	dB

Dual-gate MOS-FETs

BF908; BF908R



Dual-gate MOS-FETs

BF908; BF908R

**Table 1** Scattering parameters

f (MHz)	S <sub>11</sub>		S <sub>21</sub>		S <sub>12</sub>		S <sub>22</sub>	
	MAGNITUDE (ratio)	ANGLE (deg)	MAGNITUDE (ratio)	ANGLE (deg)	MAGNITUDE (ratio)	ANGLE (deg)	MAGNITUDE (ratio)	ANGLE (deg)
<b>V<sub>DS</sub> = 8 V; V<sub>G2-S</sub> = 4 V; I<sub>D</sub> = 10 mA; T<sub>amb</sub> = 25 °C.</b>								
50	0.998	-5.1	3.537	173.5	0.001	98.2	0.996	-2.4
100	0.994	-10.4	3.502	167.7	0.001	88.8	0.994	-4.9
200	0.979	-20.8	3.450	154.9	0.003	74.6	0.987	-9.5
300	0.962	-30.3	3.318	143.7	0.004	69.5	0.983	-13.9
400	0.939	-40.1	3.234	131.9	0.005	65.6	0.980	-18.5
500	0.914	-49.1	3.093	120.7	0.006	64.4	0.974	-22.8
600	0.892	-57.1	2.912	111.1	0.005	63.1	0.969	-27.0
700	0.865	-64.4	2.774	101.0	0.005	65.2	0.966	-31.2
800	0.837	-71.6	2.616	91.4	0.004	70.8	0.965	-35.4
900	0.811	-78.1	2.479	81.9	0.004	87.4	0.965	-39.4
1000	0.785	-84.5	3.329	72.5	0.003	108.0	0.966	-43.7
<b>V<sub>DS</sub> = 8 V; V<sub>G2-S</sub> = 4 V; I<sub>D</sub> = 15 mA; T<sub>amb</sub> = 25 °C.</b>								
50	0.998	-5.3	3.983	173.4	0.001	95.5	0.994	-2.4
100	0.994	-10.9	3.943	167.5	0.001	93.6	0.991	-5.0
200	0.976	-21.6	3.878	154.7	0.003	74.3	0.984	-9.7
300	0.957	-31.7	3.722	143.3	0.004	70.0	0.979	-14.2
400	0.934	-41.7	3.614	131.6	0.005	63.5	0.975	-18.8
500	0.907	-51.1	3.446	120.4	0.006	62.2	0.969	-23.2
600	0.885	-59.1	3.240	110.9	0.005	59.6	0.964	-27.4
700	0.851	-66.8	3.072	100.9	0.005	64.8	0.961	-31.6
800	0.826	-73.9	2.891	91.3	0.004	67.8	0.959	-35.9
900	0.797	-80.7	2.733	81.9	0.004	85.0	0.958	-40.0
1000	0.773	-87.0	2.569	72.8	0.004	102.9	0.958	-44.2

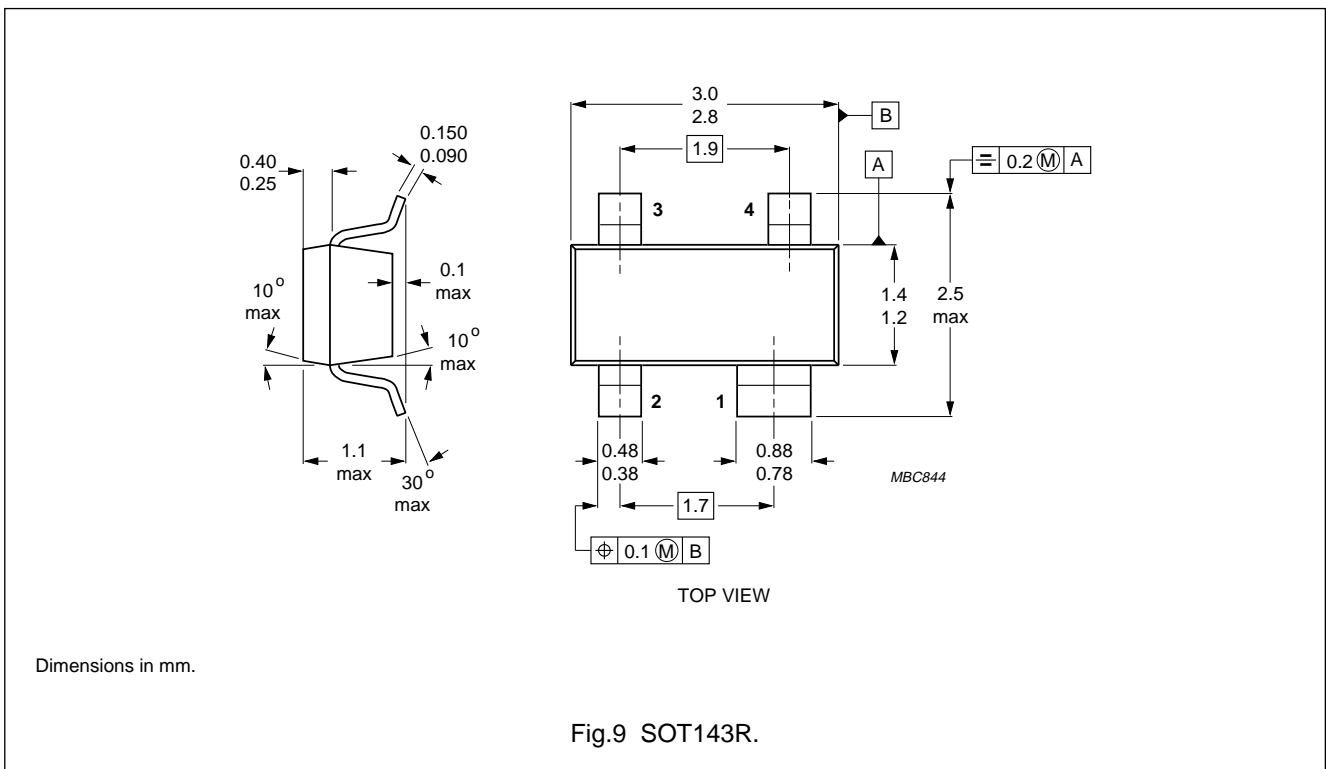
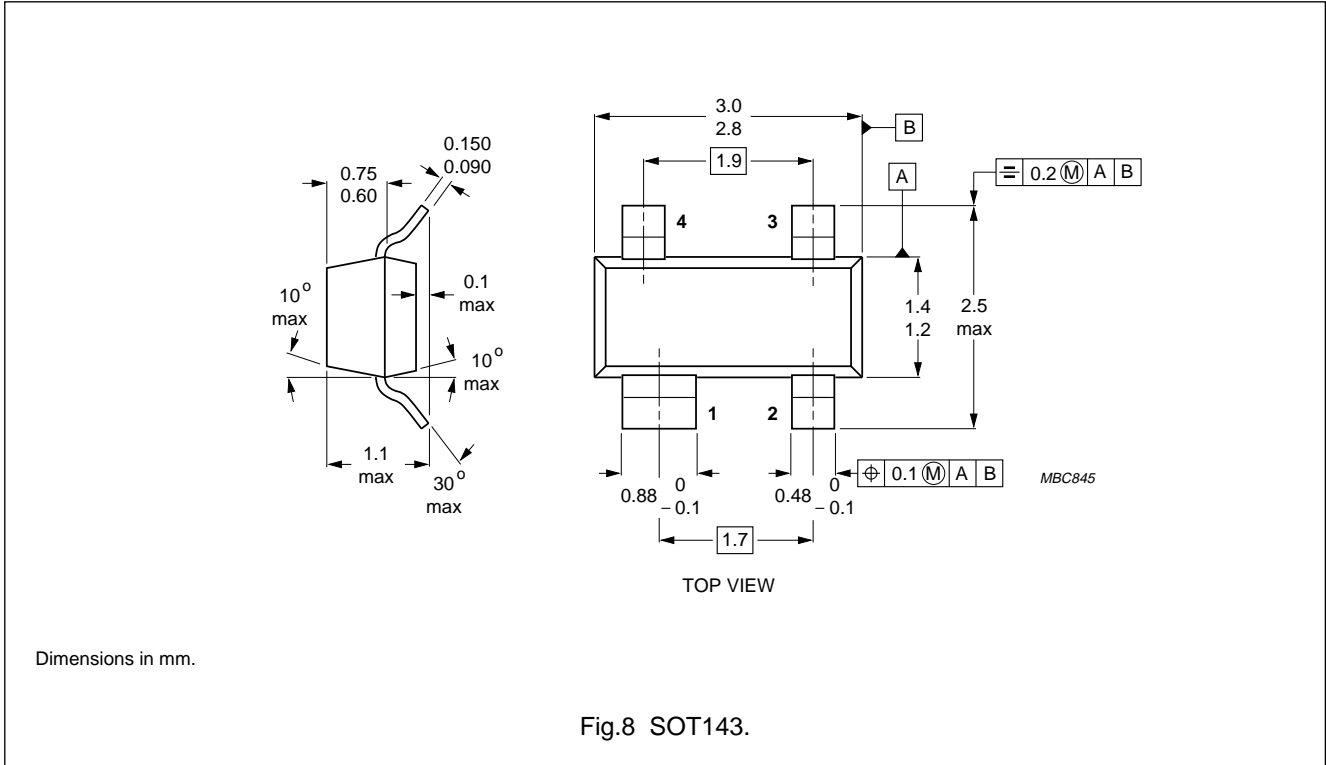
**Table 2** Noise data

f (MHz)	F <sub>min</sub> (dB)	Γ <sub>opt</sub>		r <sub>n</sub>
		(ratio)	(deg)	
<b>V<sub>DS</sub> = 8 V; V<sub>G2-S</sub> = 4 V; I<sub>D</sub> = 10 mA; T<sub>amb</sub> = 25 °C.</b>				
800	1.50	0.720	56.7	0.580
<b>V<sub>DS</sub> = 8 V; V<sub>G2-S</sub> = 4 V; I<sub>D</sub> = 15 mA; T<sub>amb</sub> = 25 °C.</b>				
800	1.50	0.700	59.2	0.520

Dual-gate MOS-FETs

BF908; BF908R

PACKAGE OUTLINES



## Legal information

### Data sheet status

Document status <sup>[1][2]</sup>	Product status <sup>[3]</sup>	Definition
Objective [short] data sheet	Development	This document contains data from the objective specification for product development.
Preliminary [short] data sheet	Qualification	This document contains data from the preliminary specification.
Product [short] data sheet	Production	This document contains the product specification.

[1] Please consult the most recently issued document before initiating or completing a design.

[2] The term 'short data sheet' is explained in section "Definitions".

[3] The product status of device(s) described in this document may have changed since this document was published and may differ in case of multiple devices. The latest product status information is available on the Internet at URL <http://www.nxp.com>.

### Definitions

**Draft** — The document is a draft version only. The content is still under internal review and subject to formal approval, which may result in modifications or additions. NXP Semiconductors does not give any representations or warranties as to the accuracy or completeness of information included herein and shall have no liability for the consequences of use of such information.

**Short data sheet** — A short data sheet is an extract from a full data sheet with the same product type number(s) and title. A short data sheet is intended for quick reference only and should not be relied upon to contain detailed and full information. For detailed and full information see the relevant full data sheet, which is available on request via the local NXP Semiconductors sales office. In case of any inconsistency or conflict with the short data sheet, the full data sheet shall prevail.

### Disclaimers

**General** — Information in this document is believed to be accurate and reliable. However, NXP Semiconductors does not give any representations or warranties, expressed or implied, as to the accuracy or completeness of such information and shall have no liability for the consequences of use of such information.

**Right to make changes** — NXP Semiconductors reserves the right to make changes to information published in this document, including without limitation specifications and product descriptions, at any time and without notice. This document supersedes and replaces all information supplied prior to the publication hereof.

**Suitability for use** — NXP Semiconductors products are not designed, authorized or warranted to be suitable for use in medical, military, aircraft, space or life support equipment, nor in applications where failure or

malfunction of an NXP Semiconductors product can reasonably be expected to result in personal injury, death or severe property or environmental damage. NXP Semiconductors accepts no liability for inclusion and/or use of NXP Semiconductors products in such equipment or applications and therefore such inclusion and/or use is at the customer's own risk.

**Applications** — Applications that are described herein for any of these products are for illustrative purposes only. NXP Semiconductors makes no representation or warranty that such applications will be suitable for the specified use without further testing or modification.

**Limiting values** — Stress above one or more limiting values (as defined in the Absolute Maximum Ratings System of IEC 60134) may cause permanent damage to the device. Limiting values are stress ratings only and operation of the device at these or any other conditions above those given in the Characteristics sections of this document is not implied. Exposure to limiting values for extended periods may affect device reliability.

**Terms and conditions of sale** — NXP Semiconductors products are sold subject to the general terms and conditions of commercial sale, as published at <http://www.nxp.com/profile/terms>, including those pertaining to warranty, intellectual property rights infringement and limitation of liability, unless explicitly otherwise agreed to in writing by NXP Semiconductors. In case of any inconsistency or conflict between information in this document and such terms and conditions, the latter will prevail.

**No offer to sell or license** — Nothing in this document may be interpreted or construed as an offer to sell products that is open for acceptance or the grant, conveyance or implication of any license under any copyrights, patents or other industrial or intellectual property rights.

### Trademarks

Notice: All referenced brands, product names, service names and trademarks are the property of their respective owners.

## Contact information

For additional information, please visit: <http://www.nxp.com>

For sales office addresses, send an email to: [salesaddresses@nxp.com](mailto:salesaddresses@nxp.com)



## Revision history

### Revision history

Document ID	Release date	Data sheet status	Change notice	Supersedes
BF908-R_N_3	20071114	Product data sheet	-	BF908-R_2
Modifications:	• Fig. 1 and 2 on page 2; Figure note changed			
BF908-R_2	19960730	Product specification	-	BF908R_1
BF908R_1	-	-	-	-

Please be aware that important notices concerning this document and the product(s) described herein, have been included in section 'Legal information'.

founded by

**PHILIPS**

© NXP B.V. 2007.

All rights reserved.

For more information, please visit: <http://www.nxp.com>

For sales office addresses, please send an email to: [salesaddresses@nxp.com](mailto:salesaddresses@nxp.com)

Date of release: 14 November 2007

Document identifier: BF908-R\_N\_3