

PLEASE CHECK WWW.MOLEX.COM FOR LATEST PART INFORMATION

Part Number: [5018763240](#)
Status: **Active**
Overview: [igrid](#)
Description: 2.00mm (.079") Pitch iGrid™ Wire-to-Board Header, Dual Row, Right Angle, 32 Circuits

Documents:

[3D Model](#) [Product Specification PS-501646-001 \(PDF\)](#)
[Drawing \(PDF\)](#) [RoHS Certificate of Compliance \(PDF\)](#)

General

Product Family	PCB Headers
Series	501876
Application	Wire-to-Board
Overview	igrid
Product Name	iGrid™

Physical

Breakaway	No
Circuits (Loaded)	32
Color - Resin	Natural
Durability (mating cycles max)	30
Glow-Wire Compliant	No
Keying to Mating Part	Yes
Lock to Mating Part	Yes
Material - Metal	Brass
Material - Plating Mating	Tin
Material - Plating Termination	Tin
Material - Resin	Nylon
Number of Rows	2
Orientation	Right Angle
PC Tail Length (in)	0.126 In
PC Tail Length (mm)	3.20 mm
PCB Locator	No
PCB Retention	None
PCB Thickness Recommended (in)	0.047 In, 0.063 In
PCB Thickness Recommended (mm)	1.20 mm, 1.60 mm
Packaging Type	Tray
Pitch - Mating Interface (in)	0.079 In
Pitch - Mating Interface (mm)	2.00 mm
Polarized to Mating Part	Yes
Polarized to PCB	No
Stackable	No
Surface Mount Compatible (SMC)	No
Temperature Range - Operating	-25°C to +85°C
Termination Interface: Style	Through Hole

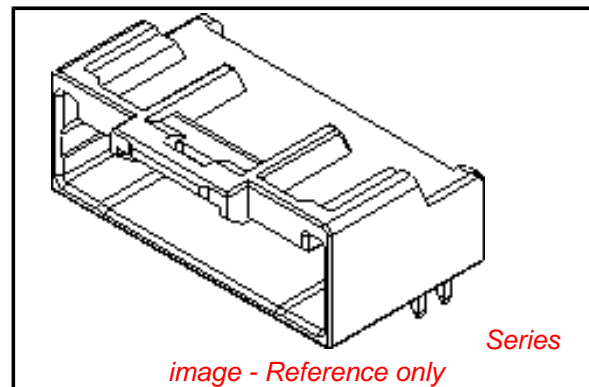
Electrical

Current - Maximum per Contact	2A
Voltage - Maximum	250V AC (RMS)/DC

Material Info

Reference - Drawing Numbers

Packaging Specification	SPK-501876-001
Product Specification	PS-501646-001, RPS-501646-001, RPS-501646-002, RPS-501646-003, RPS-501646-004, RPS-501646-005, RPS-501646-006, RPS-501646-007



EU RoHS

**ELV and RoHS
Compliant**
REACH SVHC
 Not Reviewed
Halogen-Free
Status
Not Reviewed

China RoHS



**Need more information on product
environmental compliance?**

Email productcompliance@molex.com
 For a multiple part number RoHS Certificate of
 Compliance, [click here](#)

Please visit the [Contact Us](#) section for any
 non-product compliance questions.

Search Parts in this Series

[501876Series](#)

Mates With

[501646](#) Housing. [501647](#) Crimp Terminal
 22-26 AWG. [501648](#) Crimp Terminal 26-28
 AWG

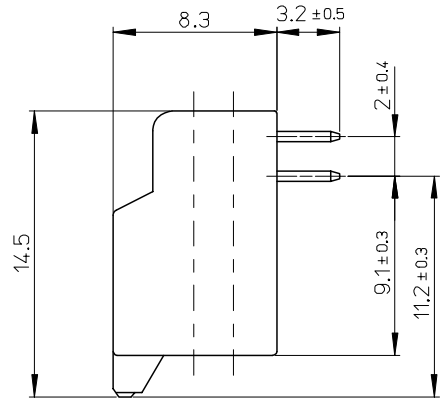
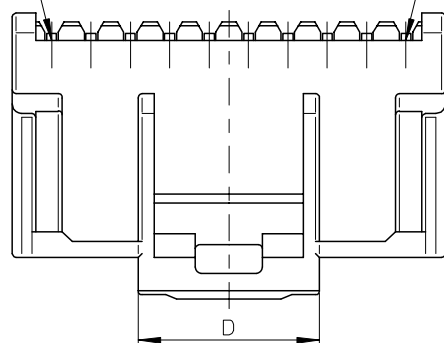
This document was generated on 05/26/2010

PLEASE CHECK WWW.MOLEX.COM FOR LATEST PART INFORMATION

10 9 8 7 6 5 4 3 2 1

キャビティ番号
CAV. NO.

トレードマーク
TRADE MARK



注記
NOTES

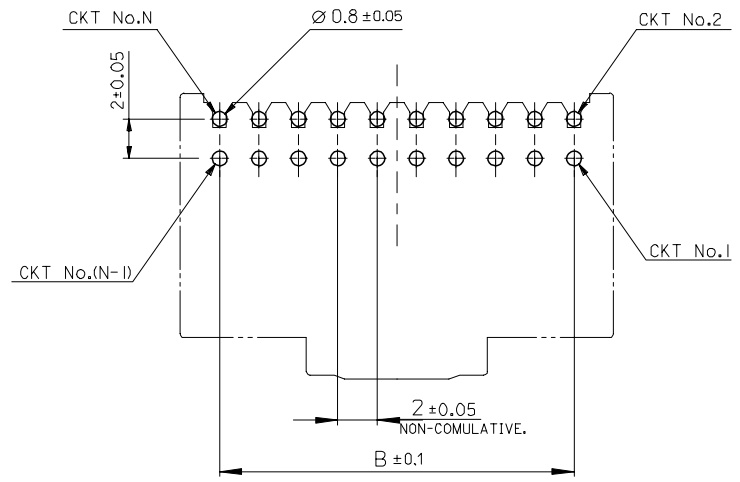
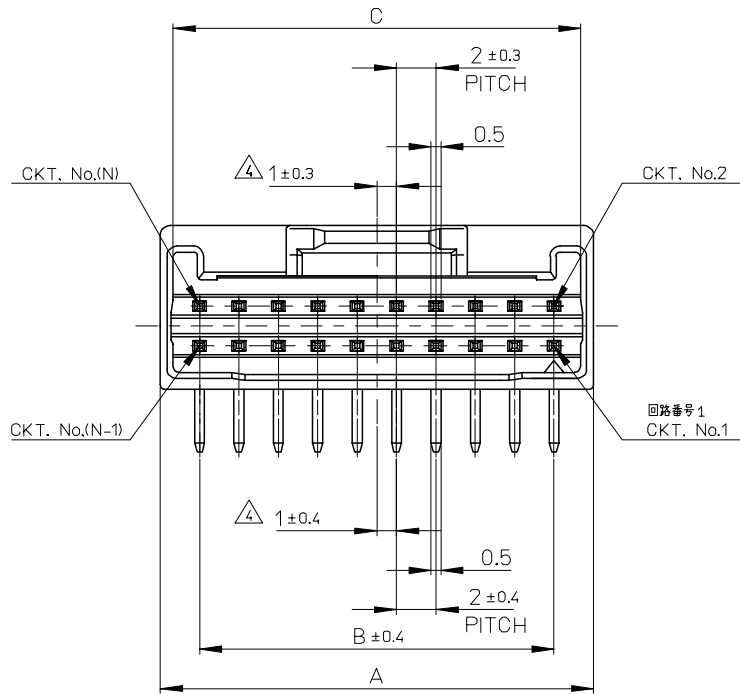
- 材料 MATERIAL
ピン : 黄銅, ニッケル 下地鍍メッキ
PIN : BRASS, Sn OVER NICKEL PLATED
ハウジング : 66ナイロン(ガラス入り), UL94V-0
HOUSING : 66NYLON (G.F.), UL94V-0
- 嵌合相手 : 501646 シリーズ
MATE WITH : 501646 SERIES

△ 製品番号
MATERIAL NO.
501876 -**4*

種数 CIRCUIT SIZE 色 COLOR

△ (全種数/2) = 偶数の場合に適用。
APPLY FOR (CIRCUIT/2)=EVEN

ナチュラル NATURAL	0
黒 BLACK	1
赤 RED	2
黄 YELLOW	3
青 BLUE	4
桃 PINK	5
緑 GREEN	6
茶 BROWN	7
橙 ORANGE	8
紫 VIOLET	9



基板取付穴推奨寸法 (マウント面)
RECOMMENDED P.C.BOARD
HOLE DIMENSION
(MOUNTING SIDE)
(t=1.2~1.6)

9.2	40.7	38	42	501876-404*	40
9.2	38.7	36	40	-384*	38
9.2	36.7	34	38	-364*	36
9.2	34.7	32	36	-344*	34
9.2	32.7	30	34	-324*	32
9.2	30.7	28	32	-304*	30
9.2	28.7	26	30	-284*	28
9.2	26.7	24	28	-264*	26
9.2	24.7	22	26	-244*	24
9.2	22.7	20	24	-224*	22
9.2	20.7	18	22	-204*	20
9.2	18.7	16	20	-184*	18
9.2	16.7	14	18	-164*	16
9.2	14.7	12	16	-144*	14
9.2	12.7	10	14	-124*	12
7.3	10.7	8	12	501876-104*	10
D	C	B	A	△ MATERIAL NO.	CKT.

REVISED EC NO: J2006-1590 DRW: MNABEI 2005/11/14 CHK: KASAKAWA 2005/11/14 APP: S. ICHIKAWA 2005/11/17	GENERAL TOLERANCES (UNLESS SPECIFIED)		DIMENSION STYLE MM ONLY		SCALE 4:1	DESIGN UNITS METRIC	THIRD ANGLE PROJECTION
	10 UNDER	±0.2	DRAWN BY ERIGUCHI	DATE '05/07/08	TITLE 2.0MM W/B DUAL CONN DIP PLUG ASSY RA -LEAD FREE-		
	10 OVER 30 UNDER	±0.25	CHECKED BY ASAKAWA	DATE '05/07/08	MOLEX INCORPORATED		
	30 OVER	±0.3	APPROVED BY ICHIKAWA	DATE '05/07/08	MATERIAL NO. 501876-**4*	DOCUMENT NO. SD-501876-001	SHEET NO. 1 OF 1
	ANGULAR	±3 °	DRAFT WHERE APPLICABLE MUST REMAIN WITHIN DIMENSIONS				