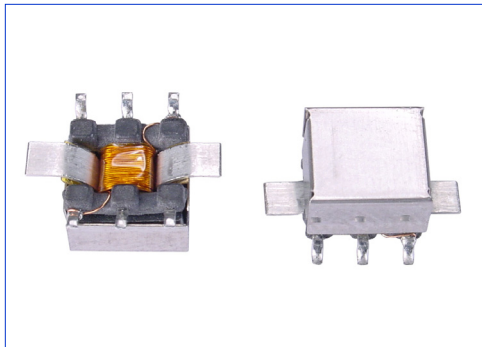


# CURRENT SENSOR



## P4100E5 SERIES



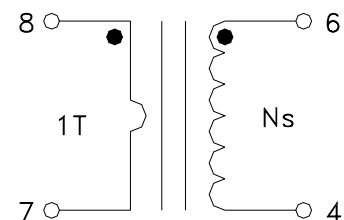
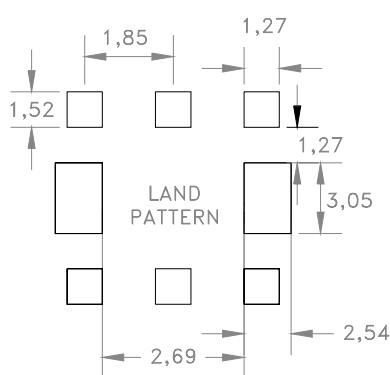
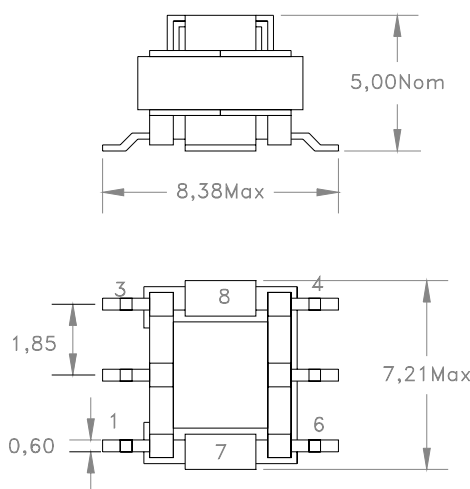
- RoHS Compliant Product
- Operating Temperature: -40°C to +85°C
- Peak Current Sensing: 10A and 40% Duty Cycle
- Hipot: 500V<sub>RMS</sub> Min
- Operating Frequency: 50KHz to 1MHz
- Inductance tested at 15.75KHz 0.1 V<sub>RMS</sub>

## ELECTRICAL SPECIFICATION @ 25°C

Part number	OCL (Ns) (mH Min)	Turns (±2% Max)	DCR (8-7) (mΩ Max)	DCR (Ns) (Ω Max)	Current A
P4100E5-20	0.08	1:20	6	0.55	10
P4100E5-30	0.18	1:30	6	0.87	10
P4100E5-40	0.32	1:40	6	1.14	10
P4100E5-50	0.50	1:50	6	1.50	10
P4100E5-60	0.72	1:60	6	1.75	10
P4100E5-70	0.98	1:70	6	4.75	10
P4100E5-100	2.00	1:100	6	5.50	10
P4100E5-125	3.00	1:125	6	6.50	10

## Mechanical

## Schematic



### Dimensions

Unless otherwise specified, all tolerances are:  
 inch: .XX : ± 0.015 .XXX : ± 0.004  
 mm: X,X : ± 0,38 X,XX : ± 0,10

Product performance is limited to specified parameter. Data is subject to change without prior notice.

P4100E5-XX  
05461W

2463 208th, Ste. 205  
Torrance, CA 90501

Phone: (310)533-1455  
Fax: (310)533-1853

<http://www.mpsind.com>  
Email: [sales@mpsind.com](mailto:sales@mpsind.com)