



SANYO Semiconductors

DATA SHEET

LA7784 — Monolithic Linear IC Downconverter IC for Digital CATV

Overview

The LA7784 is a downconverter IC for digital CATV. It accepts RF input frequencies from 50 to 150MHz and supports the DOCSIS (USA) and Euro-DOCSIS (Europe) standards.

Features

- RF Mixer.
- Attenuation control for RF Mixer.
- Driver for SAW filter.
- IF AGC amplifier.
- IF Driver amplifier for ADC.

Specifications

Maximum Ratings at $T_a = 25^\circ\text{C}$

Parameter	Symbol	Conditions	Ratings	Unit
Maximum supply voltage	$V_{CC \text{ max}}$	Pin 8, 14, 19, 20, 21, 22, 26, 27	6.0	V
Circuit voltages	V max	Pin 9	V_{CC}	V
Circuit current	$I_{12, 13}$	Pin 12, 13 sink current	2	V
Allowable power dissipation	$P_d \text{ max}$	$T_a \leq 70^\circ\text{C}$	900*	mA
Operating temperature range	T_{opr}		-20 to +70	mW
Storage temperature range	T_{stg}		-55 to +150	$^\circ\text{C}$

* On the board (114.3×76.1×1.6mm)

Operating Conditions at $T_a = 25^\circ\text{C}$

Parameter	Symbol	Conditions	Ratings	Unit
Recommended supply voltage	V_{CC}	Pin 8, 14, 19, 20, 21, 22, 26, 27	5.0	V
Operating supply voltage range	$V_{CC \text{ op}}$	Pin 8, 14, 19, 20, 21, 22, 26, 27	4.5 to 5.5	V

■ Any and all SANYO Semiconductor products described or contained herein do not have specifications that can handle applications that require extremely high levels of reliability, such as life-support systems, aircraft's control systems, or other applications whose failure can be reasonably expected to result in serious physical and/or material damage. Consult with your SANYO Semiconductor representative nearest you before using any SANYO Semiconductor products described or contained herein in such applications.

■ SANYO Semiconductor assumes no responsibility for equipment failures that result from using products at values that exceed, even momentarily, rated values (such as maximum ratings, operating condition ranges, or other parameters) listed in products specifications of any and all SANYO Semiconductor products described or contained herein.

SANYO Semiconductor Co., Ltd.

TOKYO OFFICE Tokyo Bldg., 1-10, 1 Chome, Ueno, Taito-ku, TOKYO, 110-8534 JAPAN

LA7784

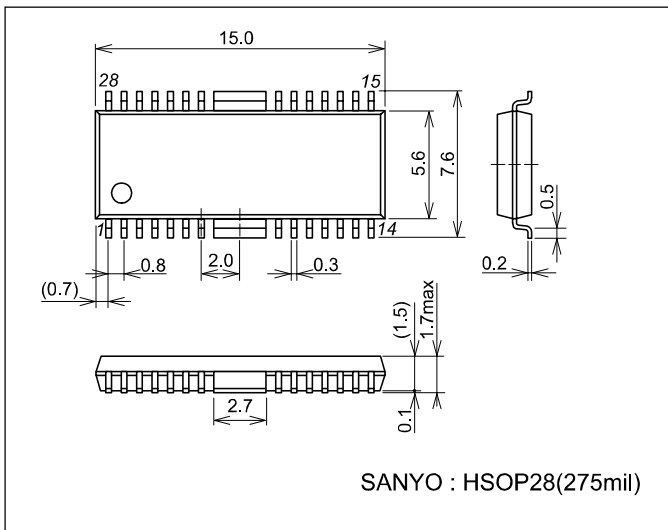
AC Characteristics at $T_a = 25^\circ\text{C}$, $V_{CC} = 3.3\text{V}$

Parameter	Symbol	Pin No.	Conditions	Ratings			Unit
				min	typ	max	
Circuit current	I_{total}	8, 14, 19, 20, 21, 22, 26, 27	No Signal	80	105	130	mA
RF input frequency range	$f_{(\text{RF})}$	23, 24	$f_c: -3\text{dB}$	50		150	MHz
RF AGC range	GR1	26, 27	$V_9 = 2.5 \text{ to } 0\text{V}$	45	53		dB
Mixer conversion gain	CG1	26/23, 24 27/23, 24	$V_9 = 2.5\text{V}$	19	22	25	dB
Mixer inter modulation 1	IM3 1	26/23, 24 27/23, 24	Input = $75\text{dB}\mu$ $V_9 = 2.5\text{V}$	40	50		dB
IF input frequency range	$f_{(\text{IF})}$	4, 5	$f_c: -3\text{dB}$	30		100	MHz
IF amplifier gain	$G_{(\text{AGC})}$	12/4, 5 13/4, 5	$V_9 = 2.5\text{V}$	51	55	59	dB
IF inter modulation 2	IM3 2	12/4, 5 13/4, 5	Output = $110\text{dB}\mu$	40	50		dB
Range	GR2	12, 13	IF Output Level $< \pm 1\text{dB}$	3	5		dB
IF AGC output level	$V_{O(\text{IF}) 1}$	12	Single output		1.0		Vp-p
IF output level	$V_{O(\text{IF}) 2}$	13	Single output		1.0		Vp-p

Package Dimensions

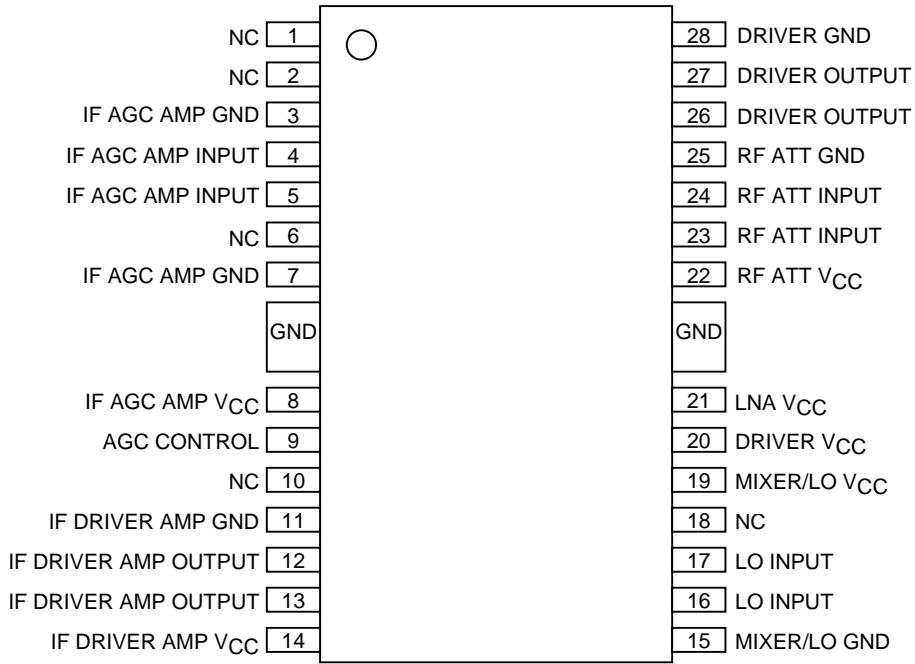
unit: mm

3222A

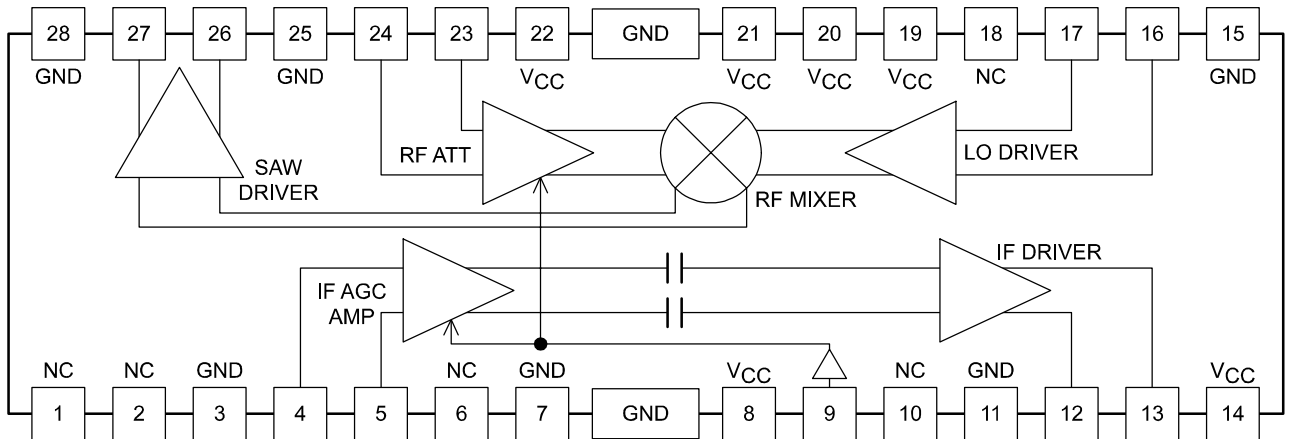


LA7784

Pin Assignment



Block Diagram

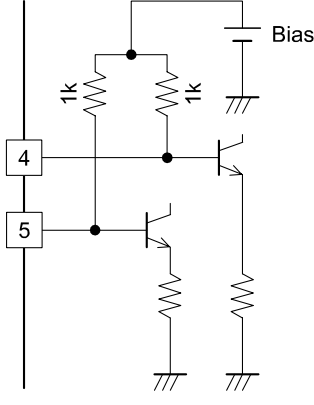
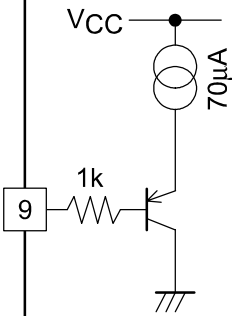


OMB05021

LA7784

Pin Description

(unit: Ω)

Pin Number	Description	Equivalent circuit
1	No Connection	
2	No Connection	
3	AGC Amp GND	
4 5	AGC Amp Input	 <p style="text-align: right; font-size: small;">OMP05090</p>
6	No Connection	
7	AGC Amp GND	
8	AGC Amp V _{CC}	
9	AGC Control	 <p style="text-align: right; font-size: small;">OMP05091</p>
10	No Connection	
11	Post Amp GND	

Continued on next page.

LA7784

Continued from preceding page.

(unit: Ω)

Pin Number	Description	Equivalent circuit
12 13	Post Amp Outputs	<p style="text-align: right; font-size: small;">OMP05092</p>
14	Post Amp V_{CC}	
15	Mixer/LO GND	
16 17	LO Input	<p style="text-align: right; font-size: small;">OMP05093</p>
18	No Connection	
19	Mixer/LO V_{CC}	
20	Driver V_{CC}	

Continued on next page.

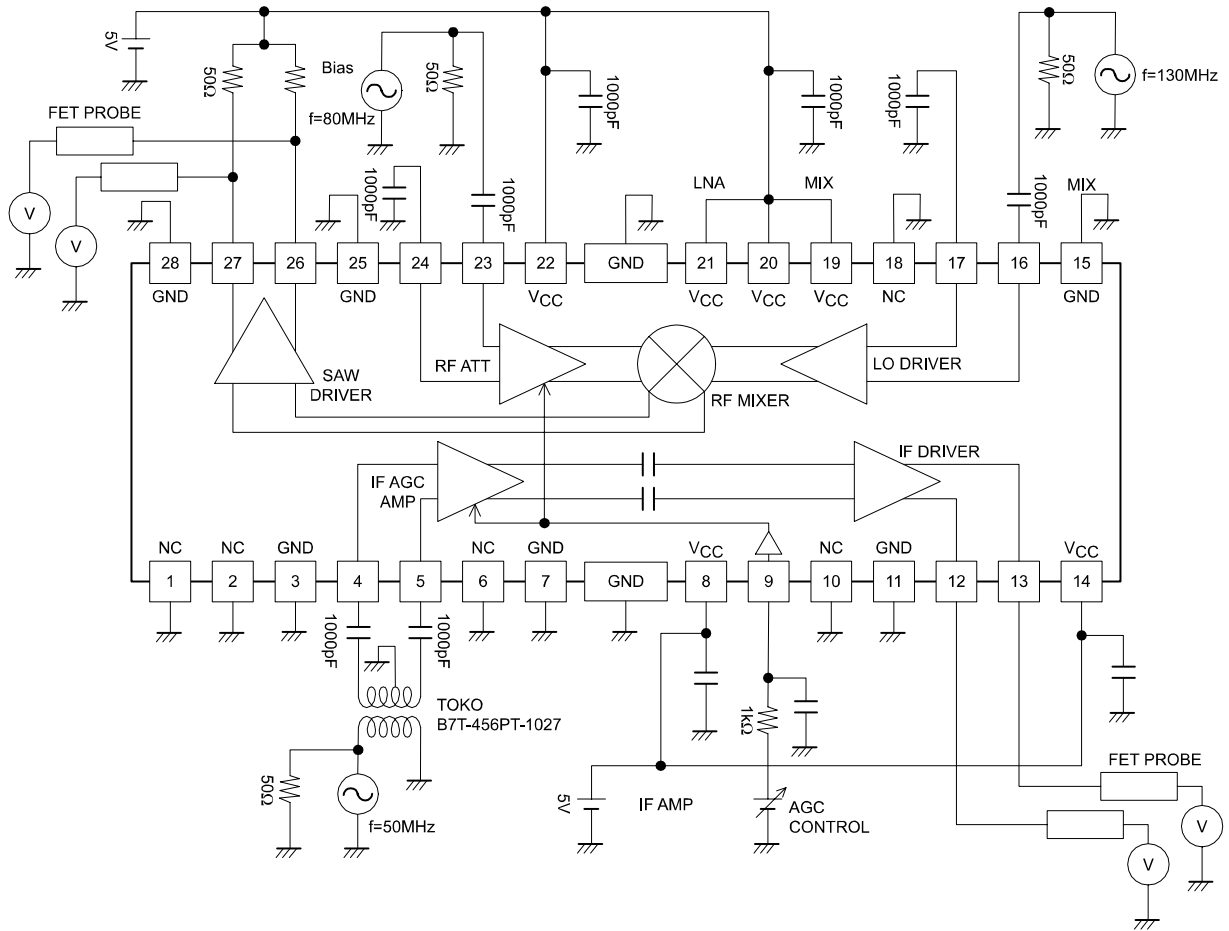
LA7784

Continued from preceding page.

(unit: Ω)

Pin Number	Description	Equivalent circuit
21 22	LNA V _{CC}	<p style="text-align: right; margin-top: 10px;">OMP05094</p>
23 24	LNA Inputs	
25	LNA GND	
26 27	Driver Outputs	<p style="text-align: right; margin-top: 10px;">OMP05095</p>
28	Driver Gnd	

Test Circuit



OMB05022

- Specifications of any and all SANYO Semiconductor products described or contained herein stipulate the performance, characteristics, and functions of the described products in the independent state, and are not guarantees of the performance, characteristics, and functions of the described products as mounted in the customer's products or equipment. To verify symptoms and states that cannot be evaluated in an independent device, the customer should always evaluate and test devices mounted in the customer's products or equipment.
- SANYO Semiconductor Co., Ltd. strives to supply high-quality high-reliability products. However, any and all semiconductor products fail with some probability. It is possible that these probabilistic failures could give rise to accidents or events that could endanger human lives, that could give rise to smoke or fire, or that could cause damage to other property. When designing equipment, adopt safety measures so that these kinds of accidents or events cannot occur. Such measures include but are not limited to protective circuits and error prevention circuits for safe design, redundant design, and structural design.
- In the event that any or all SANYO Semiconductor products (including technical data, services) described or contained herein are controlled under any of applicable local export control laws and regulations, such products must not be exported without obtaining the export license from the authorities concerned in accordance with the above law.
- No part of this publication may be reproduced or transmitted in any form or by any means, electronic or mechanical, including photocopying and recording, or any information storage or retrieval system, or otherwise, without the prior written permission of SANYO Semiconductor Co., Ltd.
- Any and all information described or contained herein are subject to change without notice due to product/technology improvement, etc. When designing equipment, refer to the "Delivery Specification" for the SANYO Semiconductor product that you intend to use.
- Information (including circuit diagrams and circuit parameters) herein is for example only; it is not guaranteed for volume production. SANYO Semiconductor believes information herein is accurate and reliable, but no guarantees are made or implied regarding its use or any infringements of intellectual property rights or other rights of third parties.

This catalog provides information as of October, 2005. Specifications and information herein are subject to change without notice.