



*Selection. Service. Support.*  
*Power Solutions from ON Semiconductor*

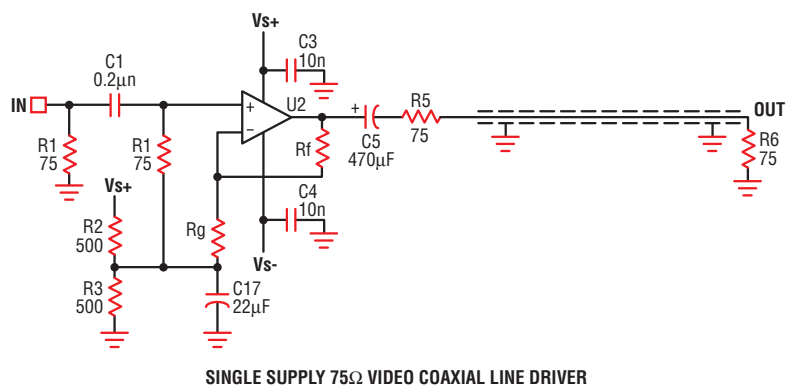
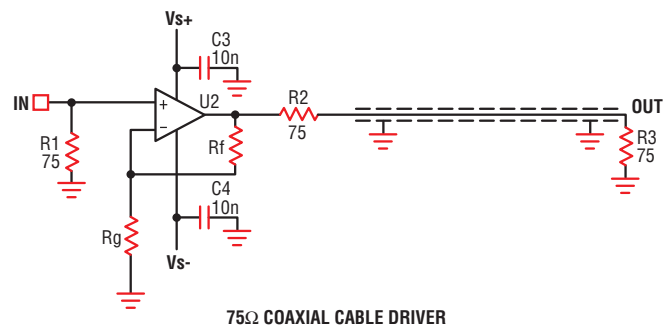
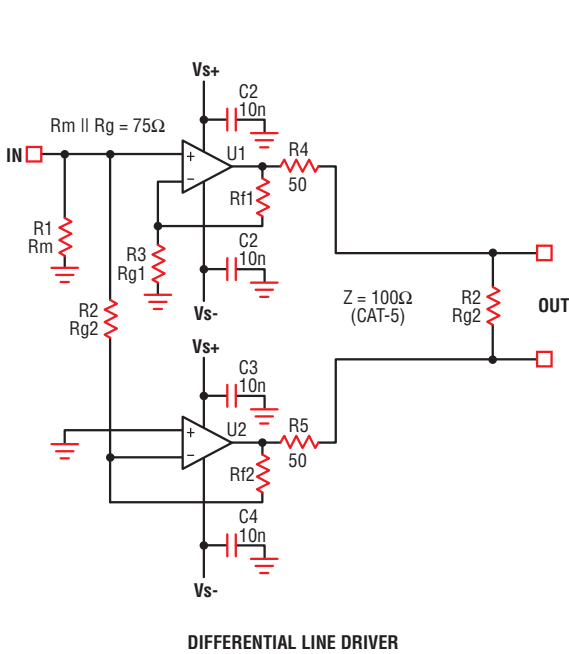
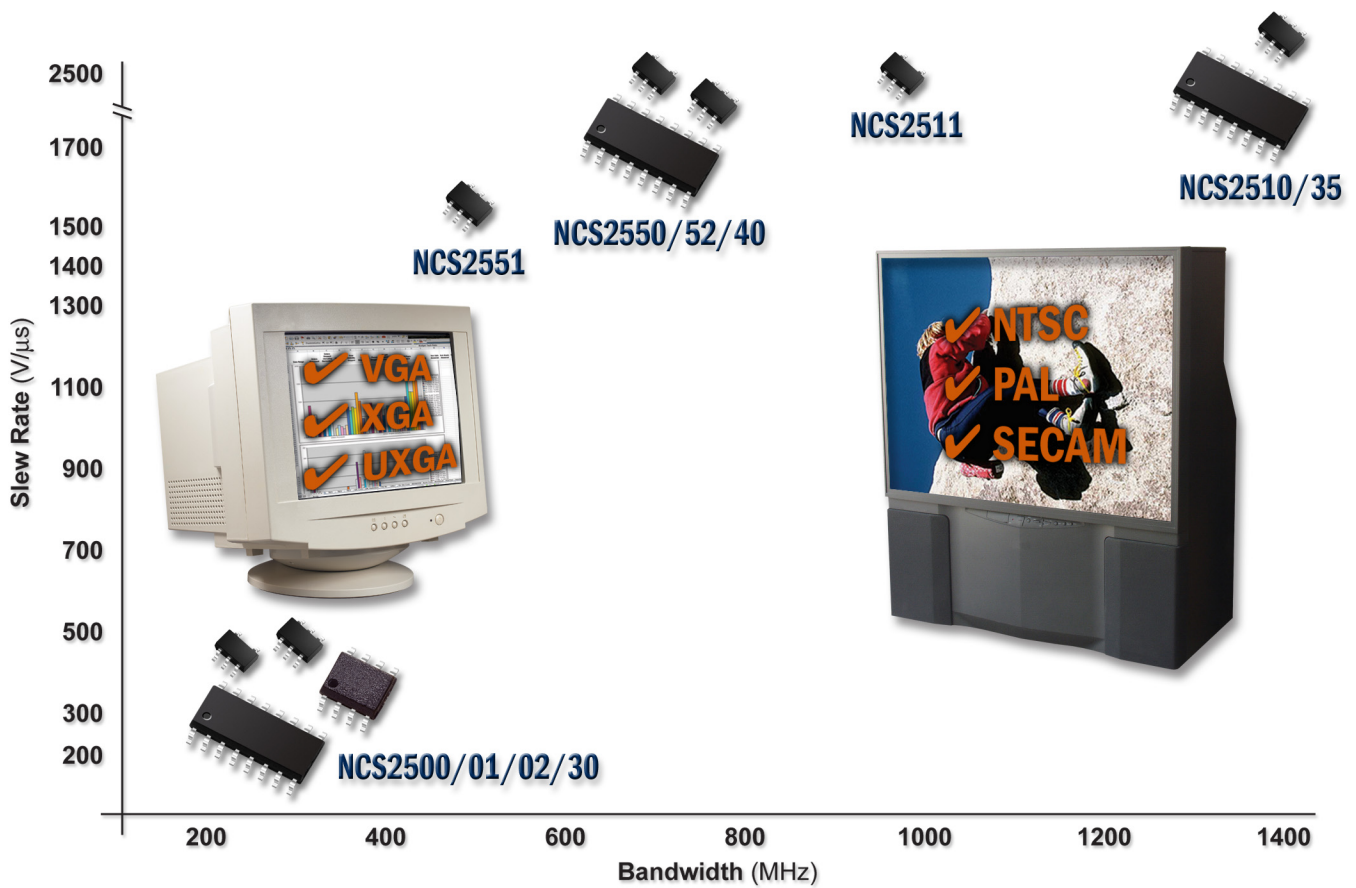
# High Speed Op Amp Solutions



*Covering video switching & display, portable multimedia,  
and broadcast video solutions from ON Semiconductor.*

*ON Semiconductor is expanding its current operational amplifier portfolio by introducing 11 new high speed op amps. These high speed op amps are ideally suited for many video applications including portable multimedia, video monitors, broadcast video, and video switching.*

# Selection. Service. Support.



**Low Power, High Speed, Current Feedback Op Amps**

Device	No. of Amplifiers	Bandwidth	Slew Rate	I <sub>CC</sub> /Amplifier	V <sub>OUT</sub>	V <sub>OS</sub> (Max)	Enable
NCS2500	1	200 MHz	450 V/μs	1.1 mA	±3.5 V	±4.0 mV	No
NCS2501	1	200 MHz	450 V/μs	1.1 mA	±3.5 V	±4.0 mV	Yes
NCS2502	1	110 MHz	230 V/μs	650 μA	±3.5 V	±4.0 mV	Yes
NCS2530	3	200 MHz	450 V/μs	1.1 mA	±3.5 V	±4.0 mV	Yes

**High Speed, Current Feedback Op Amps**

Device	No. of Amplifiers	Bandwidth	Slew Rate	I <sub>CC</sub> /Amplifier	V <sub>OUT</sub>	V <sub>OS</sub> (Max)	Enable
NCS2510	1	1.4 GHz	2500 V/μs	1.2 mA	±4.0 V	±10 mV	No
NCS2511	1	1 GHz	2500 V/μs	7.5 mA	±4.0 V	±10 mV	No
NCS2535	3	1.4 GHz	2500 V/μs	1.2 mA	±4.0 V	±10 mV	Yes

**High Speed, Voltage Feedback Op Amps**

Device	No. of Amplifiers	Bandwidth	Slew Rate	I <sub>CC</sub> /Amplifier	V <sub>OUT</sub>	V <sub>OS</sub> (Max)	Enable
NCS2550	1	750 MHz	1700 V/μs	13 mA	±4.0 V	±10 mV	No
NCS2551	1	500 MHz	1400 V/μs	5.5 mA	±4.0 V	±10 mV	No
NCS2552	1	750 MHz	1700 V/μs	13 mA	±4.0 V	±10 mV	Yes
NCS2540	3	750 MHz	1700 V/μs	13 mA	±4.0 V	±10 mV	Yes

**Op Amp Availability**

Device	Package(s)*	Pin Compatibles
NCS2500	SC70-5, SOT23-5	EL5161, LMH6723, AD8091, MAX4452, TSH110
NCS2501	SOT23-6	EL5160, MAX4180, OPA683, TSH11
NCS2502	SOT23-6, SOIC-8	EL5160, MAX4180, OPA683, TSH310
NCS2530	TSSOP-16	—
NCS2510	SOT23-5	AD8001, OPA658, TSH330
NCS2511	SOT23-5	AD8011, AD8063, OPA681, LMH6720, TSH350
NCS2535	TSSOP-16	—
NCS2550	SOT23-5	EL5156, AD8057
NCS2551	SOT23-5	AD8038, AD8055, TSH341, NJM2711
NCS2552	SOT23-6	EL5156, AD8057
NCS2540	TSSOP-16	—

\* Pb-Free packages are available.



Sales and Design Assistance from ON Semiconductor



www.onsemi.com

ON Semiconductor Distribution Partners

All American	www.allamerican.com	(800) 573-2727
Arrow Electronics	www.arrow.com	(800) 777-2776
Avnet	www.em.avnet.com	(800) 332-8638
Chip Supply	www.chipsupply.com	(407) 298-7100
Digi-Key	www.digikey.com	(800) 338-1003
EBV Elektronik	www.ebv.com/en/locations.html	(49) 8121 774-0
Farnell InOne	www.farnellinone.com	+44 8701 200 200
Future Electronics Europe	www.futureelectronics.com/contact	info-eur-future@futureelectronics.com
Future & FAI Electronics	www.futureelectronics.com/contact	1-800-FUTURE1 (388-8731)
Minco	www.mincotech.com	(512) 834-2022
Newark Electronics	www.newark.com	(800) 4-NEWARK
Rochester Electronics	www.rocelec.com	(978) 462-9332
Semi Dice Inc	www.semidice.com	1 (800) 345-6633
Silica (An Avnet Company)	www.silica.com	+33 1 6447 2929
Spoerle	www.spoerle.de/de/about/offices	+49 6103 3040

INTERNATIONAL

<b>BRAZIL</b>	San Paulo	(55-11) 3842-8911
<b>CHINA</b>	Beijing	86-10-8518-2323
	Chengdu	86-28-8678-4078
	Shenzhen	86-755-8209-1128
	Shanghai	86-21-5131-7168
<b>FRANCE</b>	Paris	33 (0)1 39-26-41-00
<b>GERMANY</b>	Munich	49 (0) 89-93-0808-0

INTERNATIONAL

<b>HONG KONG</b>	Hong Kong	852-2689-0088
<b>INDIA</b>	Bangalore	91-80-2532-5084
<b>ISRAEL</b>	Herzeliya	972 (0) 9-9609-111
<b>ITALY</b>	Milan	39 02-530-0951
<b>JAPAN</b>	Tokyo	81-3-5773-3850
<b>KOREA</b>	Seoul	82-2-2190-3500
<b>MALAYSIA</b>	Penang	60-4-226-9368

INTERNATIONAL

<b>MEXICO</b>	Guadalajara	(5233) 3123-9199
<b>SINGAPORE</b>	Singapore	65-6391-1260
<b>SLOVAKIA</b>	Piestany	(421) 33 790 2320
<b>TAIWAN</b>	Taipei	886-2-2377-9911
<b>UNITED KINGDOM</b>	Slough	44 (0) 1296-610400

ON Semiconductor and the ON logo are registered trademarks of Semiconductor Components Industries, LLC (SCILLC). SCILLC reserves the right to make changes without further notice to any products herein. SCILLC makes no warranty, representation or guarantee regarding the suitability of its products for any particular purpose, nor does SCILLC assume any liability arising out of the application or use of any product or circuit, and specifically disclaims any and all liability, including without limitation special, consequential or incidental damages. "Typical" parameters which may be provided in SCILLC data sheets and/or specifications can and do vary in different applications and actual performance may vary over time. All operating parameters, including "Typicals" must be validated for each customer application by customer's technical experts. SCILLC does not convey any license under its patent rights nor the rights of others. SCILLC products are not designed, intended, or authorized for use as components in systems intended for surgical implant into the body, or other applications intended to support or sustain life, or for any other application in which the failure of the SCILLC product could create a situation where personal injury or death may occur. Should Buyer purchase or use SCILLC products for any such unintended or unauthorized application, Buyer shall indemnify and hold SCILLC and its officers, employees, subsidiaries, affiliates, and distributors harmless against all claims, costs, damages, and expenses, and reasonable attorney fees arising out of, directly or indirectly, any claim of personal injury or death associated with such unintended or unauthorized use, even if such claim alleges that SCILLC was negligent regarding the design or manufacture of the part. SCILLC is an Equal Opportunity/Affirmative Action Employer. This literature is subject to all applicable copyright laws and is not for resale in any manner.

PUBLICATION ORDERING INFORMATION

LITERATURE FULFILLMENT:

Literature Distribution Center for ON Semiconductor  
 P.O. Box 61312, Phoenix, Arizona 85082-1312 USA  
**Phone:** 480-829-7710 or 800-344-3860 Toll Free USA/Canada  
**Fax:** 480-829-7709 or 800-344-3867 Toll Free USA/Canada  
**Email:** orderlit@onsemi.com

**N. American Technical Support:** 800-282-9855 Toll Free USA/Canada.

**JAPAN:** ON Semiconductor, Japan Customer Focus Center  
 2-9-1 Kamimeguro, Meguro-ku, Tokyo, Japan 153-0051  
 Phone: 81-3-5773-3850

**ON Semiconductor Website:** [www.onsemi.com](http://www.onsemi.com)

**Order Literature:** <http://www.onsemi.com/orderlit>

For additional information, please contact your local Sales Representative

NORTH AMERICA SALES OFFICES & REP FIRMS

<b>Alabama</b>	Huntsville	e-Components	(256) 533-2444
<b>Arizona</b>	Phoenix	TechWest Sales	(480) 763-0968
<b>California</b>	Santa Clara	T3 Technical Sales	(408) 350-3900
	Irvine	TechWest Sales	(949) 580-0270
	San Diego	TechWest Sales	(858) 635-5959
<b>CANADA</b>	All Regions	Astec	(905) 607-1444
<b>Colorado</b>	<b>Englewood</b>	<b>ON Sales Office</b>	<b>Karl Hill: (720) 895-1367</b> <b>Mike Barone: (303) 670-8000</b>
<b>Connecticut</b>	Monroe	Impact Technical Sales	(203) 268-6710
<b>Florida</b>	Boca Raton	e-Components	(561) 289-1379
	Lake Mary	e-Components	(407) 804-0042
	<b>Plantation</b>	<b>ON Sales Office</b>	<b>(954) 325-1223</b>
	Palm Harbor	e-Components	(727) 937-3016
	Melbourne	e-Components	(321) 676-5659
<b>Georgia</b>	Duluth	e-Components	(678) 380-5080
<b>Indiana</b>	Fishers	Beta VAI	(317) 570-0707
<b>Iowa</b>	Cedar Rapids	Stan Clothier	(319) 393-1576
<b>Kansas</b>	Overland Park	Stan Clothier	(913) 894-1675
<b>Maryland</b>	Glen Burnie	Coherent Solutions	(410) 761-2255
<b>Massachusetts</b>	Burlington	Impact Technical Sales	(781) 238-8888
	<b>Lowell</b>	<b>ON Sales Office</b>	<b>(978) 452-6075</b>
<b>Minnesota</b>	Eden Prairie	Stan Clothier	(952) 944-3456
<b>Missouri</b>	St. Charles	Stan Clothier	(636) 916-3777
<b>New Jersey</b>	Denville	CJR Associates	(973) 625-2796
<b>New York</b>	Long Island	CJR Associates	(973) 625-2796
	New York City	CJR Associates	(973) 625-2796
	Rochester	TriTech	(716) 385-6500
	Binghamton	TriTech	(607) 722-3580
<b>Ohio</b>	Springboro	Beta-VAI Technology	(937) 748-1341
<b>Oregon</b>	Portland	SiFore Technical Sales	(503) 977-6267
<b>Pennsylvania</b>	Hatboro	Delta Technical Sales	(215) 957-0600
<b>Texas</b>	Austin	West Associates	(512) 343-1199
	Richardson	West Associates	(972) 680-2800
<b>Virginia</b>	Midlothian	Coherent Solutions	(804) 897-6007
<b>Washington</b>	Bellevue	SiFore Technical Sales	(425) 990-4701