

**PLEASE CHECK WWW.MOLEX.COM FOR LATEST PART INFORMATION**

**Part Number:** [0367180006](#)  
**Status:** **Active**  
**Overview:** [din\\_41612](#)  
**Description:** R ML 96P CL2 AU ST 15.1 C DOT PRINT

**Documents:**

[Drawing \(PDF\)](#) [RoHS Certificate of Compliance \(PDF\)](#)  
[Product Specification PS-36509-001 \(PDF\)](#)

**General**

Product Family	Backplane Connectors
Series	<a href="#">36718</a>
Application	Daughtercard
Comments	No Mounting Clip
Component Type	PCB Header
Overview	<a href="#">din_41612</a>
Product Name	IEC 603-2/DIN 41612
Style	C

**Physical**

Circuits (Loaded)	96
Circuits (maximum)	96
Circuits Detail	1,2,3,...32; a+b+c
Color - Resin	Gray
Durability (mating cycles max)	400
First Mate / Last Break	No
Guide to Mating Part	No
Keying to Mating Part	Yes
Material - Metal	Brass
Material - Plating Mating	Gold
Material - Plating Termination	Tin
Material - Resin	Polyester
Number of Columns	32
Number of Pairs	Open Pin Field
Number of Rows	3
Orientation	Vertical
PC Tail Length (in)	0.594 In
PC Tail Length (mm)	15.10 mm
PCB Locator	No
PCB Retention	Yes
PCB Thickness Recommended (in)	0.063 In
PCB Thickness Recommended (mm)	1.60 mm
Packaging Type	Carton
Pitch - Mating Interface (in)	0.100 In
Pitch - Mating Interface (mm)	2.54 mm
Pitch - Term. Interface (in)	0.100 In
Pitch - Term. Interface (mm)	2.54 mm
Plating min: Mating (µin)	24
Plating min: Mating (µm)	0.60
Stackable	No
Surface Mount Compatible (SMC)	No
Temperature Range - Operating	-55°C to +125°C
Termination Interface: Style	Through Hole

**Electrical**

Current - Maximum per Contact	1A
-------------------------------	----

**EU RoHS**  
**ELV and RoHS**  
**Compliant**  
**REACH SVHC**  
**Not Reviewed**  
**Halogen-Free**  
**Status**  
**Not Reviewed**

**China RoHS**



**Need more information on product environmental compliance?**

Email [productcompliance@molex.com](mailto:productcompliance@molex.com)  
For a multiple part number RoHS Certificate of Compliance, [click here](#)

Please visit the [Contact Us](#) section for any non-product compliance questions.

**Search Parts in this Series**  
[36718Series](#)

Data Rate	622.0 Mbps
Voltage - Maximum	1000V (RMS)

**Material Info**

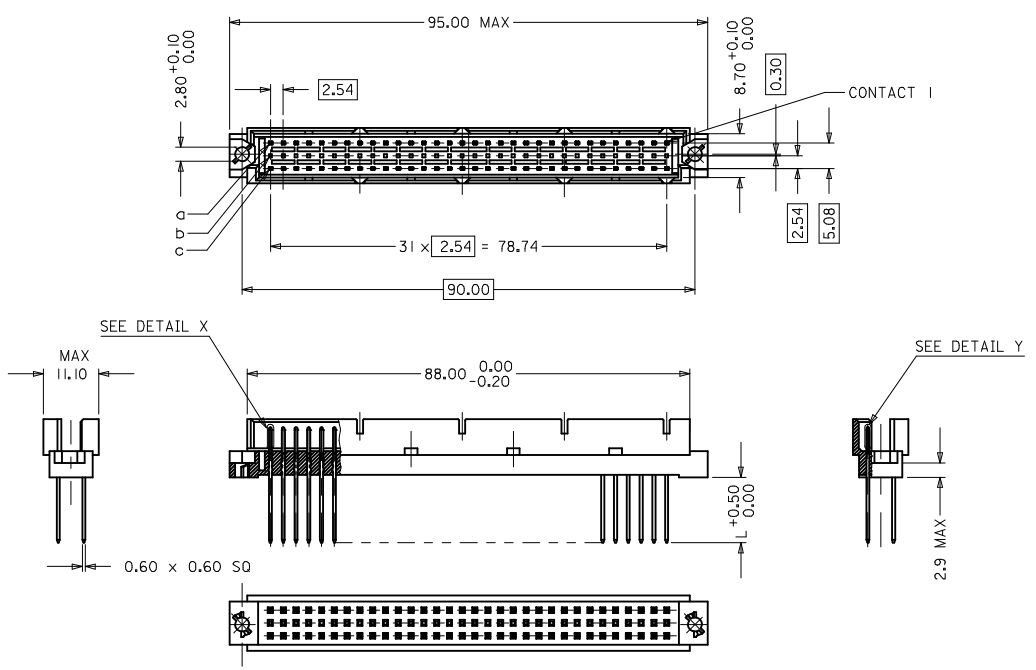
Old Part Number	MMB15W1R960-263
-----------------	-----------------

**Reference - Drawing Numbers**

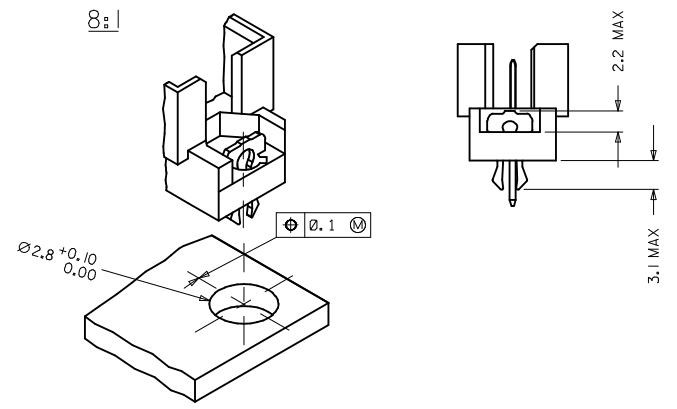
Product Specification	PS-36509-001
Sales Drawing	SD-36718-006

This document was generated on 05/13/2010

**PLEASE CHECK [WWW.MOLEX.COM](http://WWW.MOLEX.COM) FOR LATEST PART INFORMATION**

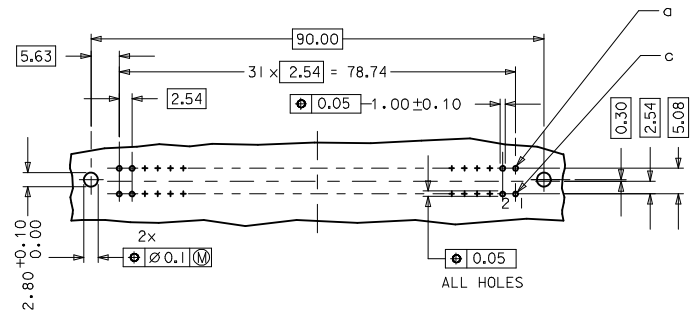


WITH MOUNTING CLIPS



- NOTES:
- MATERIALS: THERMOPLASTIC POLYESTER, GLASS FILLED, UL94V-0, COLOUR: PEBBLE GREY RAL 7032  
TERMINAL - BRASS  
MOUNTING CLIP: STEEL
  - FINISH: TERMINAL:-  
CONTACT AREA & TERMINATION AREA.  
1. PERFORMANCE LEVEL 2; SELECTIVE GOLD (Au), THICKNESS = 0.6 MICROMETER  
OVER NICKEL, THICKNESS = 1.25 MICROMETER
  - MOUNTING CLIP:-  
TIN (Sn), THICKNESS = 5-10 MICROMETER,  
OVER NICKEL (Ni), THICKNESS = 2.5 MICROMETER
  - FOR NON MOUNTING CLIP OPTION, CONNECTOR TO BE SECURED WITH RIVETS; 2 TUBULAR RIVETS 2.5 x 0.3 ... DIN 7340  
SCREWS; 2 CHEESEHEAD SCREWS M2.5 x ... DIN 84 AND 2 HEXAGONAL NUTS M2.5 DIN 934
  - MATERIAL NUMBER, BATCH CODE, UL AND CSA MARKING TO BE PRINTED ON THE CONNECTOR
  - CUT FACE OF TIP WITHOUT PLATING PERMITTED
  - PRODUCT SPECIFICATION PS : 36511-001

RECOMMENDED PCB LAYOUT  
COMPONENT SIDE

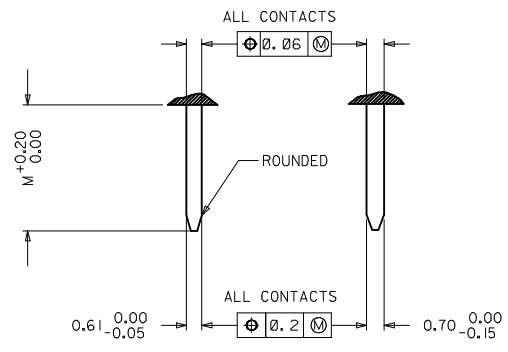


RoHS COMPLIANT

<b>ENTER DESCRIPTION</b> IEC NO: 2009-0529 DRAWN: HHR01 CHKD: APPR: KPRASAD DATE: 2009/06/30 DATE: 2009/07/08	<b>QUALITY SYMBOLS</b> ▽=0 ▽=0 ▽=0	<b>GENERAL TOLERANCES (UNLESS SPECIFIED)</b>		<b>DIMENSION STYLE</b> MM ONLY		SCALE	DESIGN UNITS	THIRD ANGLE PROJECTION
		mm	INCH	DRAWN BY	DATE	TITLE	METRIC	☐
		4 PLACES ± ---	± ---	HARSHAMR	2009/06/15	<b>ASSY, DIN41612, 96 POS A+B+C LOADED SOLDER, CDOT PART</b>  <b>MOLEX INCORPORATED</b> DOCUMENT NO. SD-36718-006 SHEET NO. 1 OF 2		
		3 PLACES ± 0.05	± ---	CHECKED BY	DATE			
2 PLACES ± 0.1	± ---	KPRASAD	2009/06/15					
1 PLACE ± 0.15	± ---	APPROVED BY	DATE					
DRAFT WHERE APPLICABLE MUST REMAIN WITHIN DIMENSIONS		MATERIAL NO. SEE SHEET 2		SIZE 1		THIS DRAWING CONTAINS INFORMATION THAT IS PROPRIETARY TO MOLEX INCORPORATED AND SHOULD NOT BE USED WITHOUT WRITTEN PERMISSION		

20	19	18	17	16	15	14	13	12	11	10	9	8	7	6	5	4	3	2	1	
MATERIAL No.	MOLEX ENG No.	C-DOT PART NO.	PERF LEVEL	PLATING	CONTACT SEQUENCE/ROW	DIM 'L' MM	MOUNTING CLIP	FMLB												
36718-0006	MM-B15W1-R960-104	MCC-EURVM006-302	2	Au + Ni	1,2,3...3 a+b+c	15.1	NO	NO												

**DETAILY      DETAILX**



PRE MATING CONTACTS	5.4
NORMAL CONTACTS	4.8
	M

<b>ENTER DESCRIPTION</b> EC NO: 2009-0529 DRAWN: HR01 CHKD: APPR: KPRASAD 2009/06/30 2009/06/30 2009/07/08	<b>QUALITY SYMBOLS</b> ▽=0 ▽=0	<b>GENERAL TOLERANCES (UNLESS SPECIFIED)</b>		<b>DIMENSION STYLE</b> MM ONLY		SCALE	DESIGN UNITS	THIRD ANGLE PROJECTION
		mm	INCH	DRAWN BY	DATE	TITLE	METRIC ASSY, DIN41612, 96 POS A+B+C LOADED SOLDER, CDOT PART	MOLEX INCORPORATED
		4 PLACES ± --- ± ---		HARSHAMR	2009/06/15			
		3 PLACES ± 0.05 ± ---		CHECKED BY	DATE		DOCUMENT NO.	SHEET NO.
2 PLACES ± 0.1 ± ---		KPRASAD	2009/06/15		SD-36718-006	2 OF 2		
1 PLACE ± 0.15 ± ---		APPROVED BY	DATE					
ANGULAR ± 2 °		KPRASAD	2009/06/15					
DRAFT WHERE APPLICABLE MUST REMAIN WITHIN DIMENSIONS		SEE CHART		THIS DRAWING CONTAINS INFORMATION THAT IS PROPRIETARY TO MOLEX INCORPORATED AND SHOULD NOT BE USED WITHOUT WRITTEN PERMISSION				