

DELTRON *Components Limited*

TOOL STEEL PUNCH & DIE SET FOR HYDRAULIC GUN - 3POINTS PUNCH

PRODUCT SPECIFICATION

Sheet No. **PS 0906**

Date : 25.08.98

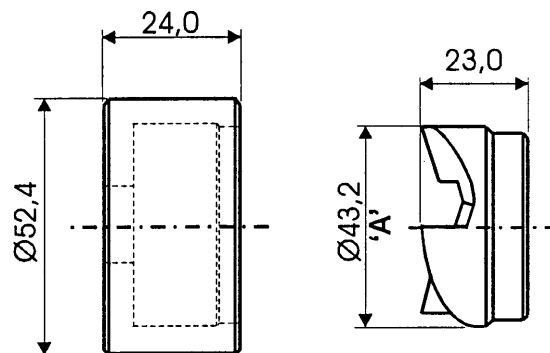
Issue No. 1

Sheet 2 of 2

Signature

Deltron Part No. **936 RANGE HYDRAULIC GUN KITS & DRAWBOLTS
937 RANGE PUNCH & DIE SETS**

Dimensions



Description

A range of hole cutters in industry standard sizes, to be used with hydraulic gun

Designed to punch burr-free holes in up to 3,0mm thick stainless steel when using the hydraulic gun, when using the bearing bolt upto 3,0mm Aluminium and Mild Steel.

The punch and die are made from high quality tool steel, hardened, tempered and finished black zinc.

The punch splits slugs into multi-segments allowing easy slug removal from die.

Features

	Part No.	Sizes ØA	Order Code
1	937-0010	12.7mm	724-8647
2	937-0020	15.2mm	724-8659
3	937-0030	16.0mm	724-8660
4	937-0040	18.0mm	724-8672
5	937-0050	18.6mm	724-8684
6	937-0060	19.0mm	724-8696
7	937-0070	20.0mm	724-8702
8	937-0080	20.5mm	724-8714
9	937-0090	22.5mm	724-8726
10	937-0100	26.0mm	724-8738
11	937-0110	28.3mm	724-8740
12	937-0120	30.5mm	724-8751
13	937-0130	32.7mm	724-8763
14	937-0140	34.6mm	724-8775
15	937-0150	37.0mm	724-8787
16	937-0160	40.0mm	724-8799
17	937-0170	43.2mm	724-8805
18	937-0180	49.6mm	724-8817
19	937-0190	54.0mm	724-8829
20	937-0200	60.5mm	724-8830
21	937-0210	61.5mm	724-8842