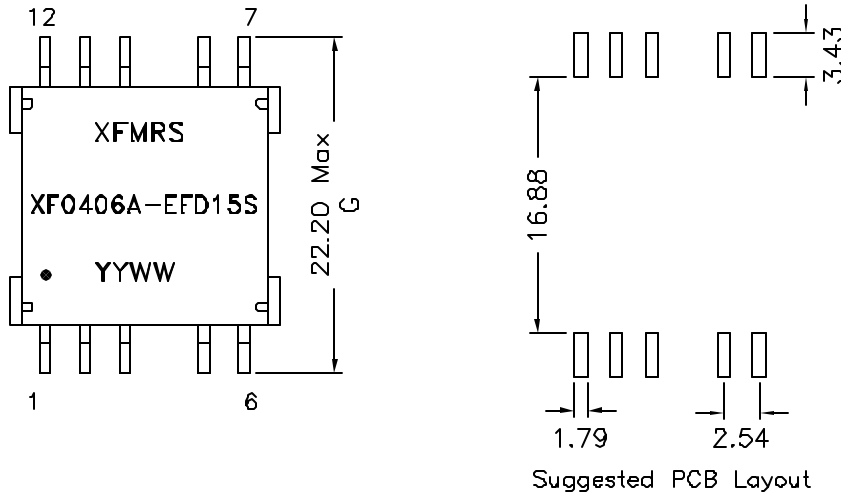
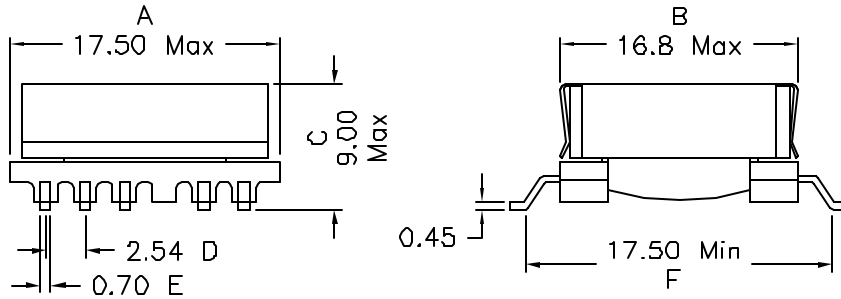


1. Mechanical Dimensions:

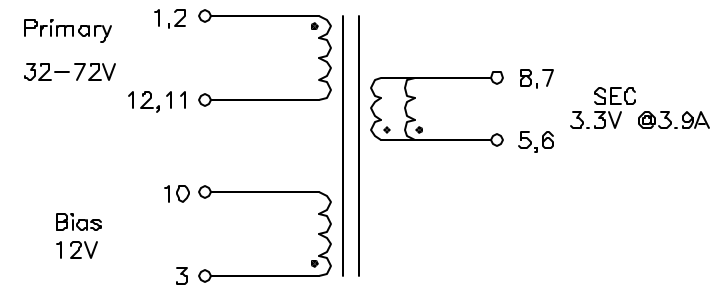


Notes:

1. Solderability: Leads shall meet MIL-STD-202G, Method 208H for solderability.
2. Flammability: UL94V-0
3. ASTM oxygen index: > 28%
4. Insulation System: Class F 155°C. UL file E151558
5. Operating Temperature Range: All listed parameters are to be within tolerance from -40°C to +85°C
6. Storage Temperature Range: -55°C to +125°C
7. Aqueous wash compatible
8. SMD Lead Coplanarity: $\pm 0.004"$ (0.102mm)
9. Electrical and mechanical specifications 100% tested
10. RoHS Compliant Component

DOC REV: A/5

2. Schematic:



3. Electrical Specifications: @25°C

OCL: Pins 1,2-11,12 40uH \pm 5% @250KHz, 0.3V

Pins 1,2-11,12 36uH Min @250KHz, 0.3V, 2.2A_{dc}

Q: Pins 1,2-11,12 15 Min @250KHz, 0.3V

LL: Pins 1,2-11,12 3.4uH Max @300KHz, 1.0V Short Secs

DCR: Pins 1-12 0.276 Ohms Max

Pins 2-11 0.276 Ohms Max

Pins 5-8 0.014 Ohms Max

Pins 6-7 0.014 Ohms Max

Pins 3-10 0.180 Ohms Max

Turns Ratio: (1,2-11,12):(5,6-8,7):(3-10) = 1:0.11:0.36

Isolation Voltage: 1500Vrms, Pri&Bias to Sec

500Vrms, Pri to Bias

XFMR5, Inc www.XFMR5.com		Title: PoE TRANSFORMER	
UNLESS OTHERWISE SPECIFIED TOLERANCES: .xx \pm 0.20 Dimensions in MM	P/N: XF0406A-EFD15S		REV. A
	DWN.	Feng	Apr-26-11
	CHK.	YK Liao	Apr-26-11
SHT 1 OF 1	APP.	Joe Huff	Apr-26-11

PROPRIETARY

Document is the property of XFMR5 Group & is not allowed to be duplicated without authorization.