

PLEASE CHECK WWW.MOLEX.COM FOR LATEST PART INFORMATION

Part Number: [0950435896](#)
Status: **Active**
Overview: [modular_plugs_jacks](#)
Description: Modular Plug, Short Body, Shielded, 8/8, Blue Boot, Cat5 for 6.00mm (.236") Cable Outside Diameter

Documents:

[3D Model](#) [Product Specification PS-95043 \(PDF\)](#)
[Drawing \(PDF\)](#) [RoHS Certificate of Compliance \(PDF\)](#)

Agency Certification

CSA LR19980
 UL E107635

General

Product Family Modular Jacks/Plugs
 Series [95043](#)
 Comments Colored Boot|Cable to Plug Tensile Strength: 98.0N (22 lb)
 Component Type Wire Plug
 Magnetic No
 Overview [modular_plugs_jacks](#)
 Performance Category 5
 Power over Ethernet (PoE) N/A
 Product Name RJ45

Physical

Boot Color BLUE
 Color - Resin Clear
 Durability (mating cycles max) 750
 Flammability 94V-2
 Inverted / Top Latch N/A
 Lightpipes/LEDs None
 Material - Metal Copper Alloy, Phosphor Bronze
 Material - Plating Mating Gold
 Material - Plating Termination Tin
 Material - Resin Polycarbonate
 Orientation N/A
 PCB Locator No
 PCB Retention None
 Packaging Type Bag
 Pitch - Mating Interface (in) 0.040 In
 Pitch - Mating Interface (mm) 1.02 mm
 Plating min: Mating (µin) 12
 Plating min: Mating (µm) 0.3
 Plating min: Termination (µin) 50.8
 Plating min: Termination (µm) 1.27
 Ports 1
 Positions / Loaded Contacts 8/8
 Surface Mount Compatible (SMC) N/A
 Temperature Range - Operating -40°C to +60°C
 Termination Interface: Style IDT or Pierce
 Waterproof / Dustproof No
 Wire/Cable Type Round

Electrical

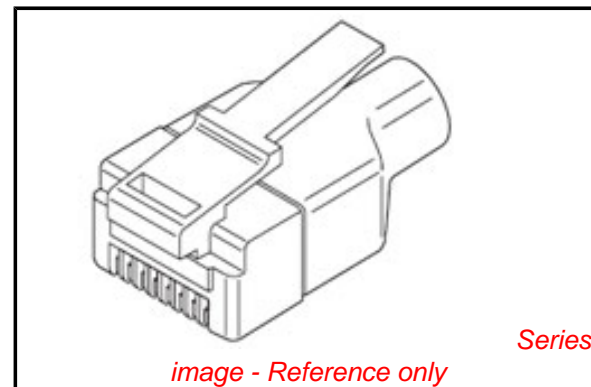


image - Reference only

EU RoHS

ELV and RoHS Compliant
REACH SVHC
 Not Reviewed
Halogen-Free Status
 Not Reviewed

China RoHS



Need more information on product environmental compliance?

Email productcompliance@molex.com
 For a multiple part number RoHS Certificate of Compliance, [click here](#)

Please visit the [Contact Us](#) section for any non-product compliance questions.

Search Parts in this Series

[95043Series](#)

Mates With

FCC 68 Jacks

Application Tooling | FAQ

Tooling specifications and manuals are found by selecting the products below. Crimp Height Specifications are then contained in the Application Tooling Specification document.

Global

Description	Product #
Termination Machine, Modular Plug	0623001400
Parallel Action Handtool for 95043 Shielded Plug, FCC 68, 8/8 Circuit, Short Body	0690081104

Current - Maximum per Contact	1.5A
Grounding to Panel	N/A
Shielded	Yes
Voltage - Maximum	125V AC (RMS)/DC

Material Info

Reference - Drawing Numbers

Application Specification	AS-95043
Packaging Specification	PK-95043
Product Specification	PS-95043
Sales Drawing	SDA-95043

This document was generated on 06/07/2010

PLEASE CHECK WWW.MOLEX.COM FOR LATEST PART INFORMATION

NOTES :

1- MATERIAL :

PLUG HOUSING :

CLEAR POLYCARBONATE

TERMINALS :

PHOSPHOR BRONZE PLATED WITH
(0.00127 MM)/.000050 INCH MIN. GOLD IN
CONTACT AREA, (0.00127 MM)/.000050 INCH
MIN. PURE TIN IN PIERCE AREA BOTH OVER
(0.00127 MM)/.000050 INCH MIN. NICKEL

SHIELD :

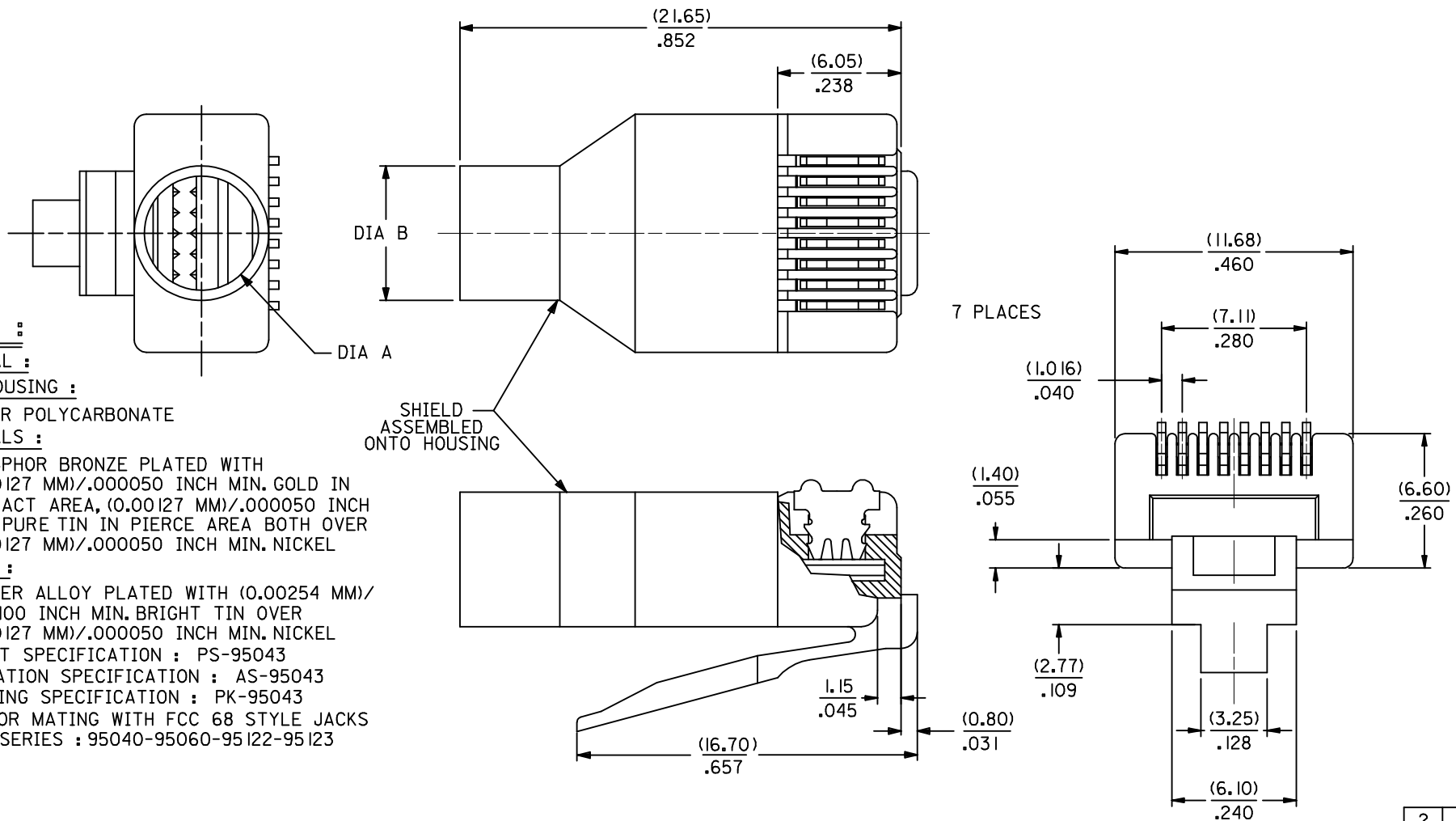
COPPER ALLOY PLATED WITH (0.00254 MM)/
.000100 INCH MIN. BRIGHT TIN OVER
(0.00127 MM)/.000050 INCH MIN. NICKEL

2- PRODUCT SPECIFICATION : PS-95043

3- APPLICATION SPECIFICATION : AS-95043

4- PACKAGING SPECIFICATION : PK-95043

5- PLUG FOR MATING WITH FCC 68 STYLE JACKS
MOLEX SERIES : 95040-95060-95122-95123

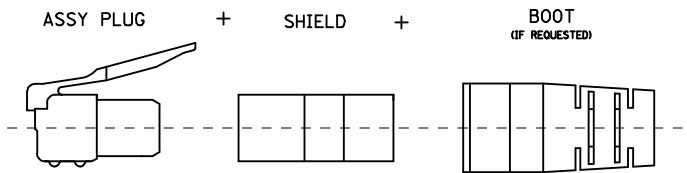


2	J
1	K

SEE SHEET 2 EC NO: E2009-0512 DRWNG: CARTON 2009/04/17 CHKD: 2009/04/17 APPR: J WALLACE 2009/04/17	QUALITY SYMBOLS	GENERAL TOLERANCES (UNLESS SPECIFIED)	DIMENSION STYLE	SCALE	DESIGN UNITS	THIRD ANGLE PROJECTION
	▽=0 C=0	mm INCH 4 PLACES ± --- ± --- 3 PLACES ± --- ± .010 2 PLACES ± 0.25 ± .014 1 PLACE ± 0.35 ± --- ANGULAR ± 2 °	MM/IN	1:1	METRIC	
	DESCRIPTION	DRAWN BY	DATE	TITLE	SHIELDED MODULAR PLUG 8 POSITION FOR ROUND CABLE	
		CB		CHECKED BY	DATE	MOLEX INCORPORATED
			APPROVED BY	DATE	MATERIAL NO. DOCUMENT NO. SHEET NO.	
			FB		SEE SHEET 2 SDA-95043 1 OF 2	
					THIS DRAWING CONTAINS INFORMATION THAT IS PROPRIETARY TO MOLEX INCORPORATED AND SHOULD NOT BE USED WITHOUT WRITTEN PERMISSION	

ASSEMBLY PART NUMBER	TOOLED	CABLE DIAMETER	BOOT		DIM A	DIM B	'MG' MARK	PARTS/ UNIT	PACKAGING VERSION	
			COLOR	RAL NBR						
95043-1881	YES	(5.10-5.60)/.200-.220	NO	N/A	N/A	(5.60)/.220	(6.60)/.260	NO	I	A
95043-2881	YES	↑	NO	N/A	N/A	↑	↑	YES	I	A
95043-2891	YES	↑	YES	BLACK	9005	↑	↑	YES	I	A
95043-2892	YES	↑	YES	GREY	7012	↑	↑	YES	I	A
95043-2893	YES	↑	YES	GREEN	6016	↑	↑	YES	I	A
95043-2894	YES	↑	YES	RED	3000	↑	↑	YES	I	A
95043-2895	YES	↑	YES	YELLOW	1021	↑	↑	YES	I	A
95043-2896	YES	↑	YES	BLUE	5015	↑	↑	YES	I	A
95043-3891	YES	↓	YES	BLACK	9005	↓	↓	YES	1000	A
95043-6891	YES	(5.10-5.60)/.200-.220	YES	BLACK	9005	(5.60)/.220	(6.60)/.260	YES	5	B
95043-4881	YES	(5.60-6.20)/.220-.244	NO	N/A	N/A	(6.20)/.244	(7.20)/.283	NO	I	A
95043-5881	YES	↑	NO	N/A	N/A	↑	↑	YES	I	A
95043-5891	YES	↑	YES	BLACK	9005	↑	↑	YES	I	A
95043-5892	YES	↑	YES	GREY	7012	↑	↑	YES	I	A
95043-5893	YES	↑	YES	GREEN	6016	↑	↑	YES	I	A
95043-5894	YES	↑	YES	RED	3000	↑	↑	YES	I	A
95043-5895	YES	↑	YES	YELLOW	1021	↑	↑	YES	I	A
95043-5896	YES	↓	YES	BLUE	5015	↓	↓	YES	I	A
95043-5897	YES	(5.60-6.20)/.220-.244	YES	BLACK	9005	(6.20)/.244	(7.20)/.283	YES	I	C

SHIELDED PLUG COMPOSITION



ADDED OPTION EC NO: E2009-0512 DRWNG: CARTON 2009/04/17 CHKD: 2009/04/17 APPR: J WALLACE 2009/04/17 REV J	QUALITY SYMBOLS	▽=0 ◻=0	GENERAL TOLERANCES (UNLESS SPECIFIED) <table border="1" style="font-size: small;"> <tr> <th></th> <th>mm</th> <th>INCH</th> </tr> <tr> <td>4 PLACES</td> <td>± ---</td> <td>± ---</td> </tr> <tr> <td>3 PLACES</td> <td>± ---</td> <td>± .010</td> </tr> <tr> <td>2 PLACES</td> <td>± 0.25</td> <td>± .014</td> </tr> <tr> <td>1 PLACE</td> <td>± 0.35</td> <td>± ---</td> </tr> </table>		mm	INCH	4 PLACES	± ---	± ---	3 PLACES	± ---	± .010	2 PLACES	± 0.25	± .014	1 PLACE	± 0.35	± ---	DIMENSION STYLE MM/IN DRAWN BY: CB DATE: TITLE: SHIELDED MODULAR PLUG 8 POSITION FOR ROUND CABLE CHECKED BY: TB DATE: MOLEX INCORPORATED APPROVED BY: FB DATE: DOCUMENT NO. SDA-95043 SHEET NO. 2 OF 2 MATERIAL NO. SEE CHART	SCALE 1:1	DESIGN UNITS METRIC	THIRD ANGLE PROJECTION
		mm	INCH																			
	4 PLACES	± ---	± ---																			
	3 PLACES	± ---	± .010																			
2 PLACES	± 0.25	± .014																				
1 PLACE	± 0.35	± ---																				
			ANGULAR ± 2 °																			
			DRAFT WHERE APPLICABLE MUST REMAIN WITHIN DIMENSIONS																			
			SIZE A3	THIS DRAWING CONTAINS INFORMATION THAT IS PROPRIETARY TO MOLEX INCORPORATED AND SHOULD NOT BE USED WITHOUT WRITTEN PERMISSION																		