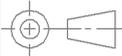
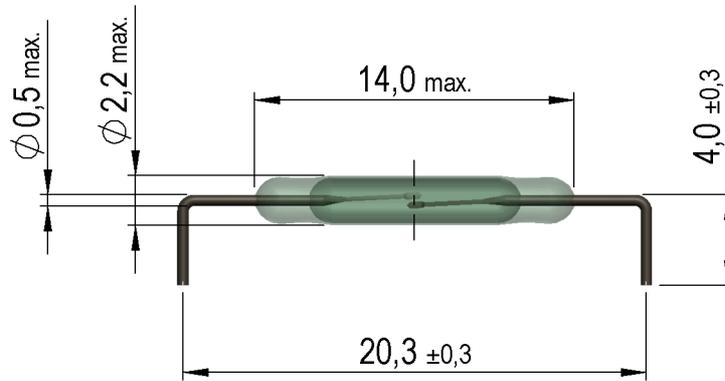


Products for tomorrow...



tolerances according to DIN ISO 2768 m

Magnetic properties	Conditions	Min	Typ	Max	Unit
Pull-In excitation (modified contact)	Reed switch modified phys. conditioned tolerance of +/- 1 AT	14		26	V
Test-Coil	Reed switch modified	MK06-8			
Pull-In excitation (modified contact)	Reed switch modified phys. conditioned tolerance of +/- 1 AT	42		56	AT
Test-Coil	Reed switch modified	KMS-21			

Contact data 66	Conditions	Min	Typ	Max	Unit
Contact-No.		66			
Contact-form		A			
Contact-material		Rhodium			
Contact rating	Any DC combination of V & A not to exceed their individual max.'s			10	W
Switching voltage (>20 AT)	DC or Peak AC			200	V
Switching current	DC or Peak AC			0,5	A
Carry current	DC or Peak AC			1,25	A
Contact resistance static	Measured with 40% overdrive Start Value			150	mOhm
Contact resistance dynamic	Maximum value 1,5 ms after excitation Start Value			200	mOhm
Insulation resistance	RH <45 %, 100 VDC test voltage	10			GOhm
Breakdown voltage (>20 AT)	according to IEC 255-5	225			VDC
Operate time incl. bounce	measured with 40% overdrive			0,5	ms
Release time	measured with no coil excitation			0,1	ms
Capacitance	@ 10 kHz across open switch		0,2		pF

Contact dimensions	Conditions	Min	Typ	Max	Unit
Glass body length	Tolerance according to drawing		14		mm

Modified dimensions	Conditions	Min	Typ	Max	Unit
Remarks		to dimensions see drawing			

Environmental data	Conditions	Min	Typ	Max	Unit
Shock	1/2 sine wave duration 11ms			50	g
Vibration	from 10 - 2000 Hz			20	g
Operating temperature		-40		130	°C

Modifications in the sense of technical progress are reserved

Designed at: 14.05.03 Designed by: SCHELLHORN
 Last Change at: 07.10.10 Last Change by: AKELLER

Approval at: 07.07.09 Approval by: RKAMP
 Approval at: 07.10.10 Approval by: RKAMP

Version: 04



Products for tomorrow...

Europe: +49 / 7731 8399 0 | Email: info@meder.com
USA: +1 / 508 295 0771 | Email: salesusa@meder.com
Asia: +852 / 2955 1682 | Email: salesasia@meder.com

Item No.:
2116600212
Item:
KSK-1A66-BV212

Environmental data	Conditions	Min	Typ	Max	Unit
Storage temperature		-55		130	°C
Soldering temperature	wave soldering max. 5 sec.			260	°C

Modifications in the sense of technical progress are reserved

Designed at: 14.05.03 Designed by: SCHELLHORN
Last Change at: 07.10.10 Last Change by: AKELLER

Approval at: 07.07.09 Approval by: RKAMP
Approval at: 07.10.10 Approval by: RKAMP

Version: 04