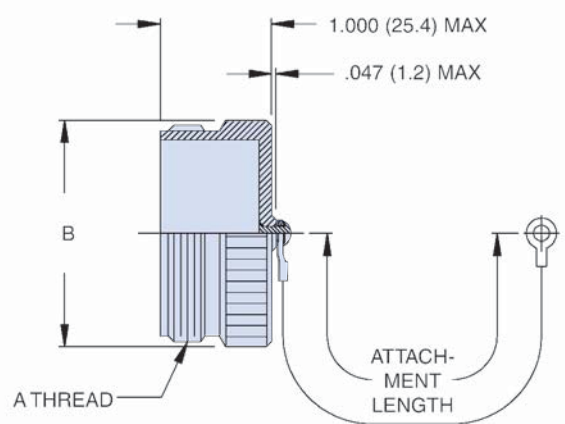
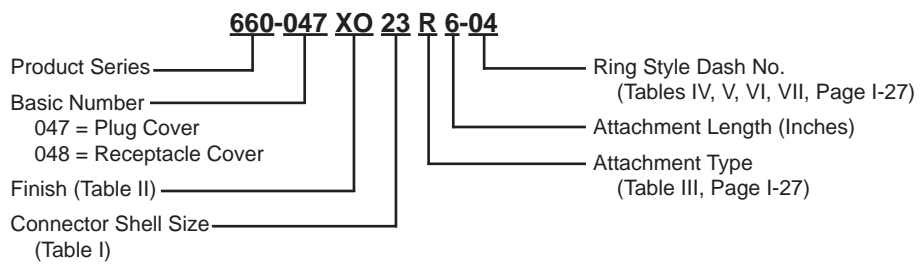
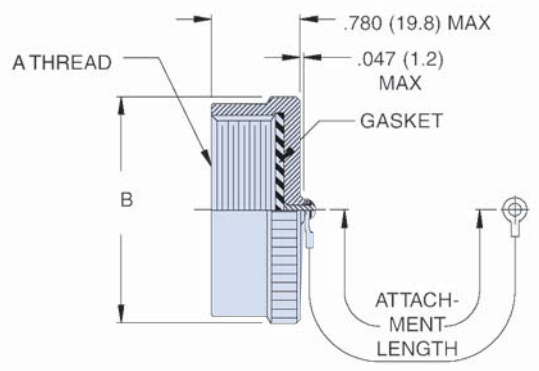




660-047 • 660-048
Composite MIL-PRF-28840
Protective Covers



660-047
PLUG COVER
MIL-PRF-28840/15



660-048
RECEPTACLE COVER
MIL-PRF-28840/13

TABLE I: CONNECTOR SHELL SIZE

Designator	Shell Size (Ref)	A Thread	B Dia Max
A	11	.750-.1P-.2L-DS	1.028 (26.1)
B	13	.875-.1P-.2L-DS	1.141 (29.0)
C	15	1.062-.1P-.2L-DS	1.263 (32.1)
D	17	1.125-.1P-.2L-DS	1.387 (35.2)
E	19	1.312-.1P-.2L-DS	1.513 (38.4)
F	23	1.500-.1P-.2L-DS	1.703 (43.5)
G	25	1.625-.1P-.2L-DS	1.825 (46.4)
H	29	1.812-.1P-.2L-DS	2.143 (54.4)
J	33	2.000-.1P-.2L-DS	2.329 (59.2)

TABLE III: FINISH

SYM	MATERIAL	FINISH
XM	Composite	Electroless Nickel
XW	Composite	Cadmium Olive Drab over Electroless Nickel
XB	Composite	No Plating - Black Material
XO	Composite	No Plating - Base Material Non-Conductive