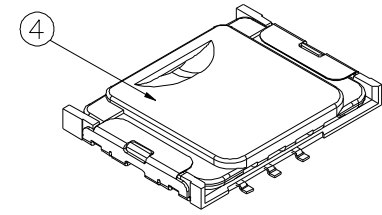
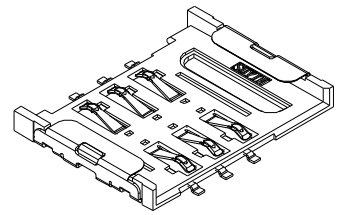
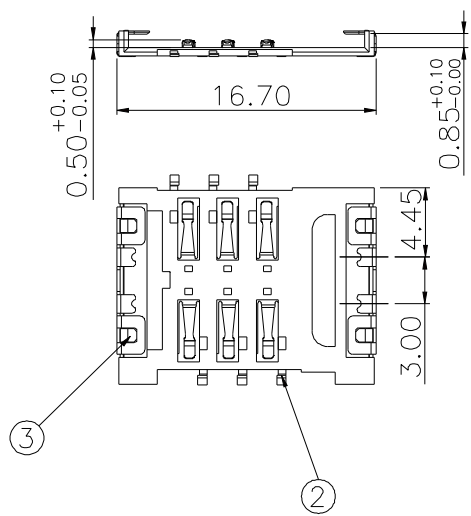
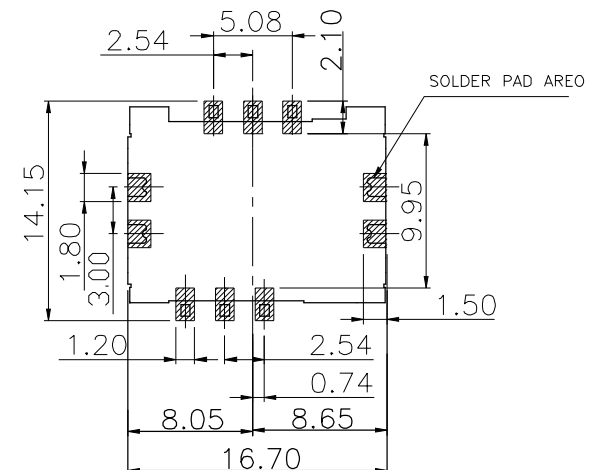
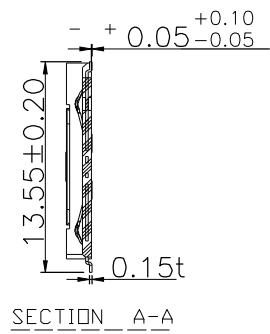
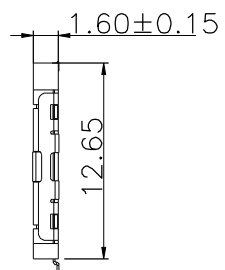
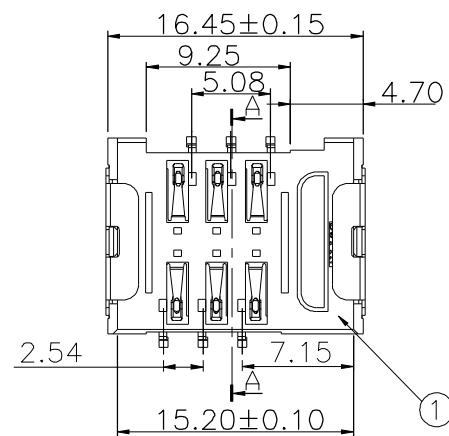




RoHS Compliant
2002/95/EC
HSF

Level-1 Controlled Substances are banned

RECOMMENDED P.C.B. LAYOUT (COMPONENT SIDE)
(TOLERANCE = ±0.05)



4	CAP	HIGH TEMP	BLACK	UL-94V-0
3	FORK	METAL	—	NI PLATED
2	TERMINAL	PHO. BRONZE	—	GOLD PLATED
1	PLASTIC	HIGH TEMP	BLACK	UL-94V-0
NO.	DESCRIPTION	MATERIAL	COLOR	REMARK

SUYIN
CONNECTOR

①此產品彈力測試下壓行程為0.45±0.10mm.

ECN(DCN) NO.	REV	DATE	DESCRIPTION	CHANGE	APPRO.	GENERAL TOLERANCE UNLESS OTHERWISE NOTED	APPRO.	蔡志鴻	08'/07/17
	0		NEW RELEASE	邱斌	蔡志鴻	Angle 30 ~ ±0.50	DRAW	邱斌	08'/07/17
	PO	07'/12/07	NEW	付德強	蔡志鴻	10 ~ 30 ±0.30	DESIGN	邱斌	08'/07/17
						~ 10 ±0.15	CHECK	張麗鳴	08'/07/17
							APPRO.	蔡志鴻	08'/07/17

CUSTOMER COPY	TITLE: 2.54 mm PITCH SIM CARD CONNECTOR (WITH BOCK) FOR LEAD-FREE (無鉛制程)			
PART NO.	254038MA006G581ZR			
PRODUCT SPEC.	254038MA006G581ZR			
FILE NAME.	DING	254038MA006G581ZR-C		
SCALE	2:1	UNIT:mm	A4	SHEET: 1 of 2