



TAI-SAW TECHNOLOGY CO., LTD.

No. 3, Industrial 2nd Rd., Ping-Chen Industrial District,
Taoyuan, 324, Taiwan, R.O.C.

TEL: 886-3-4690038 FAX: 886-3-4697532

E-mail: tstsales@mail.taisaw.com Web: www.taisaw.com

Approval Sheet For Product Specification

Issued Date:

Product Name: SAW Filter 866MHz SMD 3.0×3.0mm

TST Parts No.:TA0462A

Customer Parts No.:_____

Company: _____
Division: _____
Approved by : _____
Date: _____

Checked by: _____ Elvis Chiu

Approval by: _____ Francis Chen

Date: _____ 2005/04/01



TAI-SAW TECHNOLOGY CO., LTD.

No. 3, Industrial 2nd Rd., Ping-Chen Industrial District,
Taoyuan, 324, Taiwan, R.O.C.

TEL: 886-3-4690038 FAX: 886-3-4697532

E-mail: tstsales@mail.taisaw.com Web: www.taisaw.com

SAW Filter 866 MHz

MODEL NO.: TA0462A

REV. NO.2

A. MAXIMUM RATING:

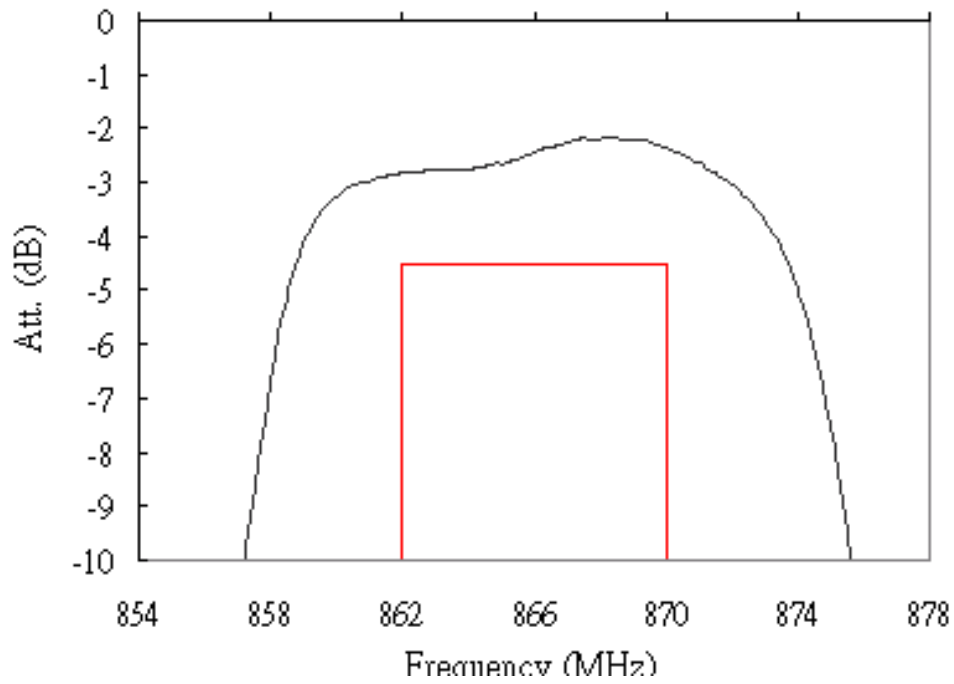
1. Input Power Level: 10 dB_m
2. DC voltage: 3 V
3. Operating Temperature: -10° C to 60° C
4. Storage Temperature: -40° C to +85° C

RoHS Compliant
Lead free
Lead-free soldering

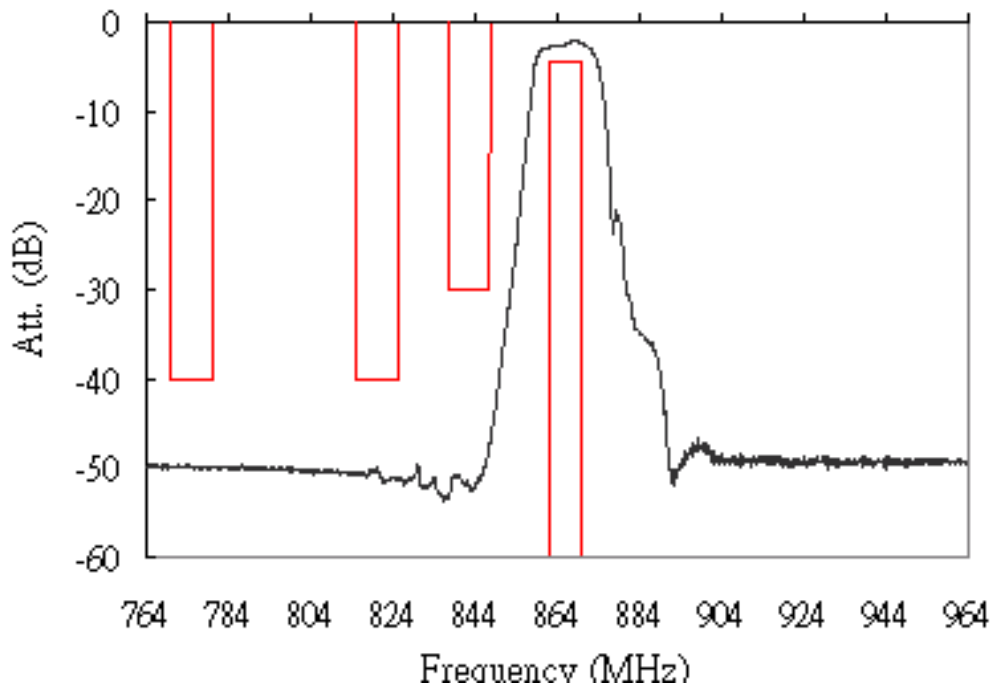
B. CHARACTERISTICS:

Item			Min.	Typ.	Max.
Center frequency	Fc	MHz	-	866	-
Insertion loss	862 ~ 870 MHz	IL	-	3.0	4.5
Amplitude ripple	862 ~ 870 MHz		-	0.8	2.1
Attenuation (Reference level from 0dB)					
770.0 ~ 780.0	MHz	dB	40	49	-
815.0 ~ 825.0	MHz	dB	40	49	-
837.5 ~ 847.5	MHz	dB	30	38	-
Source impedance	Zs	Ω	-	50	-
Load impedance	ZL	Ω	-	50	-

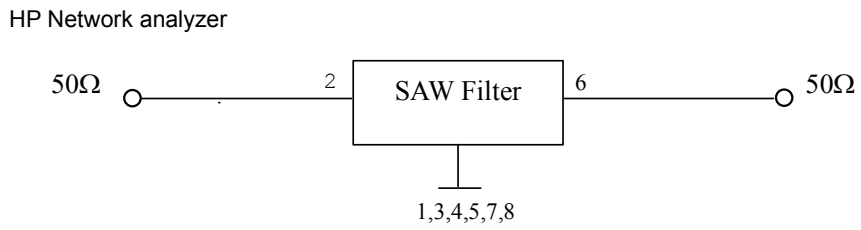
C. Transfer Function :



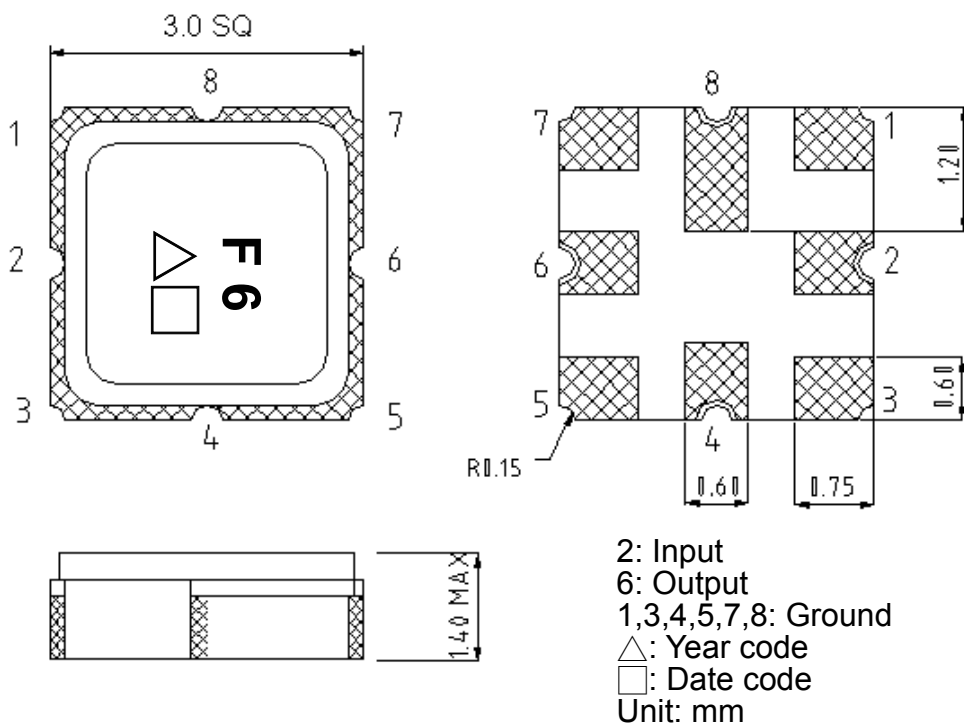
Wideband



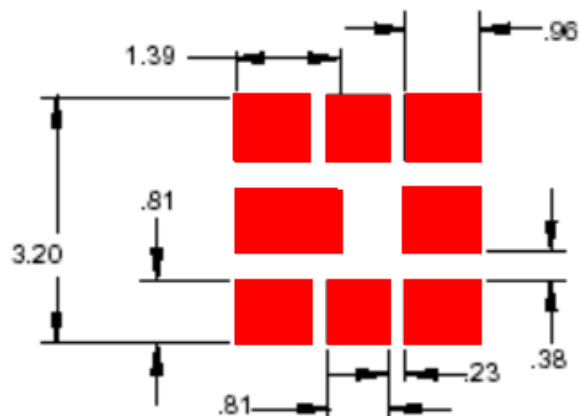
D. MEASUREMENT CIRCUIT:



E. OUTLINE DRAWING:

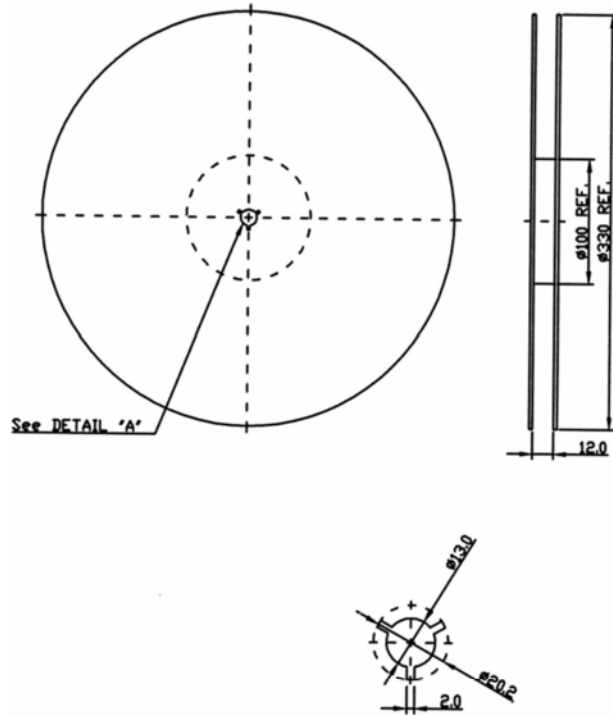


F. PCB FOOTPRINT:



G. PACKING:

1. REEL DIMENSION



2. TAPE DIMENSION

