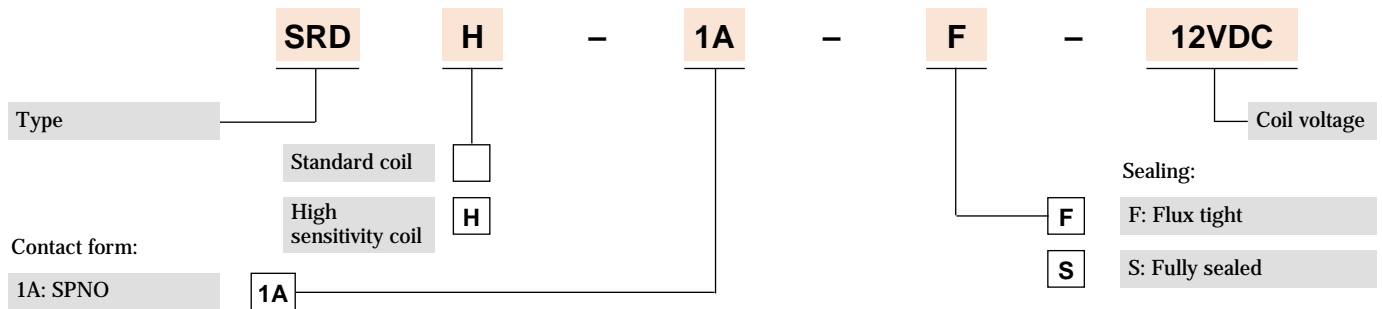


- Class B insulation approved as standard
- Flux tight or fully sealed versions available
- TV-5 rating
- UL/CSA/TUV recognised



Options and ordering codes



Contact rating

Type	SRD	SRDH
Contact form	1A (SPNO)	
Maximum switching power	1920VA (2400VA)* / 240W (300W)*	1920VA / 240W
Maximum switching voltage	250VAC / 30VDC	
Maximum switching/carry current	10A	8A
TV rating	TV-5	-

UL, CSA and TUV safety approval ratings available on request.

*Ratings for 30k ops

Specifications

Contact material		Ag SnInO
Initial contact resistance		100mΩ Max
Operate time		10ms Max. (at rated voltage)
Release time		Standard 5ms Max. (at rated voltage), High sensitivity 7ms
Nominal operating power		Standard approx. 450mW, High sensitivity approx. 200mW
Insulation resistance		100MΩ at 500VDC
Breakdown voltage	Between coil and contacts	2500VAC (for 1 minute)
	Between open contacts	Standard 1000VAC (for 1 minute), High sensitivity 750VAC (for 1 minute)
Vibration resistance	Operating extremes	10~50Hz, amplitude 1.0mm
	Damage limits	10~50Hz, amplitude 1.0mm
Shock resistance	Operating extremes	10G
	Damage limits	100G
Ambient temperature		Standard -30~+60°C, High sensitivity -30~+80°C
Life expectancy	Mechanical	10 x 10 ⁶ operations (frequency 18,000 operations/hour)
	Electrical (at max load)	1 x 10 ⁵ operations (frequency 1,200 operations/hour)
Weight		6g

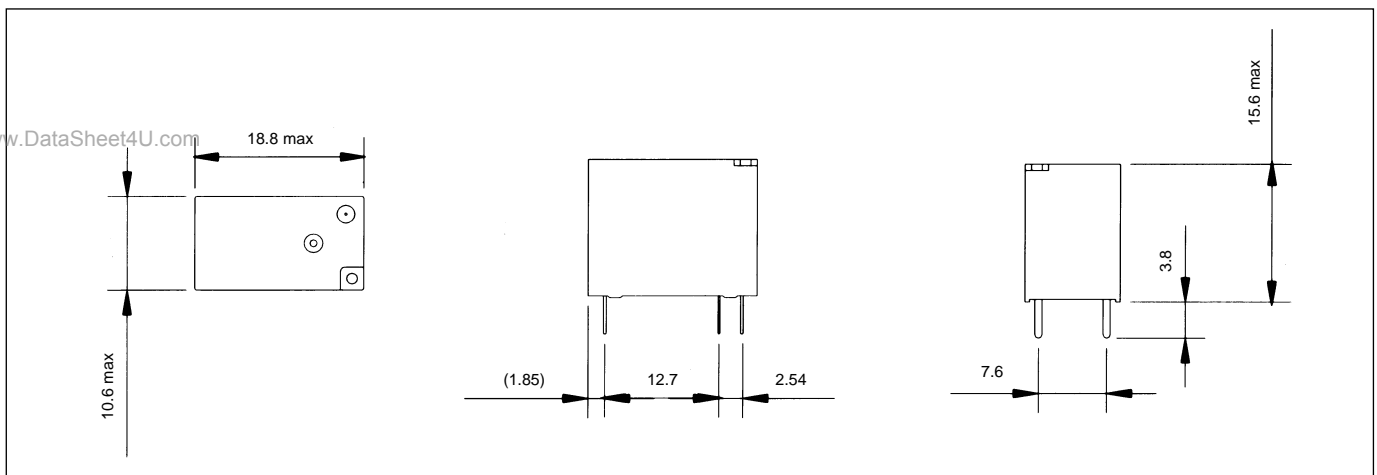
Coil specification

Rated voltage	Rated Current \pm 10% at 25°C (mA)	Coil Resistance \pm 10% at 25°C (Ω)	Max. continuous voltage at 25°C	Pick up voltage (Max) at 25°C	Drop out voltage (Min) at 25°C	Power consumption at rated load
3	150	20	130% of rated voltage	75% of rated voltage	5% of rated voltage	Approx. 450mW
5	90.9	55				
6	75	80				
9	50	180				
12	37.5	320				
18	25	720				
24	18.8	1280				

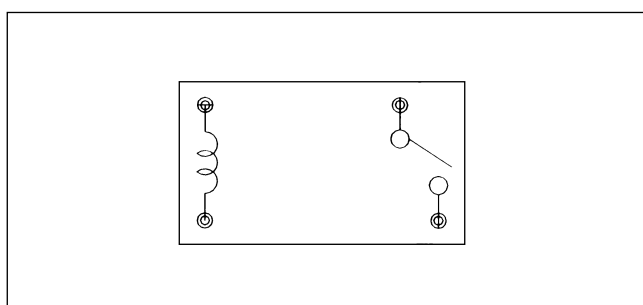
Coil specification SRDH high sensitivity coil

Rated voltage	Rated Current \pm 10% at 25°C (mA)	Coil Resistance \pm 10% at 25°C (Ω)	Max. continuous voltage at 25°C	Pick up voltage (Max) at 25°C	Drop out voltage (Min) at 25°C	Power consumption at rated load
3	66.7	45	130% of rated voltage	75% of rated voltage	5% of rated voltage	Approx. 200mW
5	40.0	125				
6	33.3	180				
9	22.2	405				
12	16.7	720				
18	11.1	1620				
24	8.3	2880				

Dimensions mm



Wiring diagram



PCB layout

