

Hall Sensor

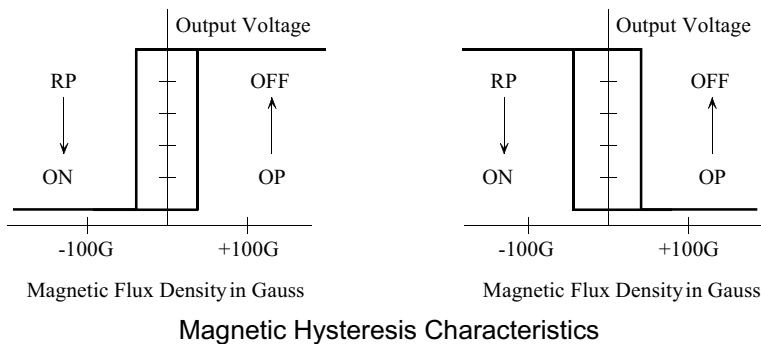
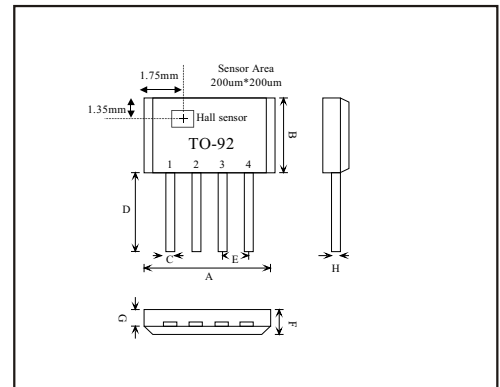
Applications

- Double coil DC brushless motor (PT-30E6/7).
- VCD/DVD loader, CD/DVD-ROM.
- Cover detector.
- Speed measurement.
- Home appliances.
- Home safety.

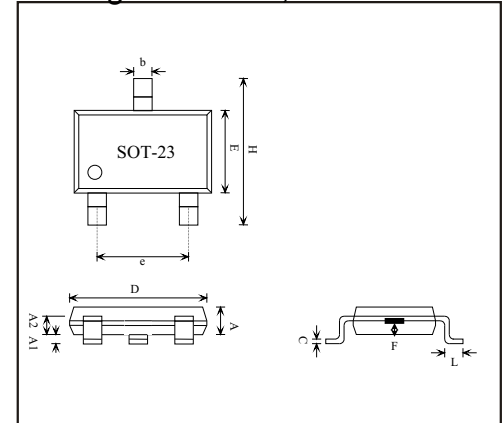
Features

- Built-in hall sensor.
- Motor lock protection and automatic restart.
- Built-in hysteresis comparator.
- Built-in protection zener diode.
- Hi-balance and low thermal drift magnetic sensing.
- Low power consumption and hi-driving efficiency.
- **PT-30E6: 4.2~18V**
- **PT-30E7: 4.2~18V**
- **PT-3601: 2.6~18V**

Package: TO-92, PT-30E6/7



Package: SOT-23, PT-3601



Specifications

Absolute Maximum Ratings (Ta = 25 C)

Parameter	Symbol	Conditions	Ratings	Units
Maximum supply voltage	V_{DD}^{max}		18	V
Allowable power dissipation	P_d	TO-92 / SOT-23	500/300*	mW
Operating temperature	Ta		-30 ~ +85	°C
Storage temperature	Ts		-50 ~ +150	°C
Output Continuous current	I_{out}	TO-92 / SOT-23 Max.	400/25	mA
Output Peak current	I_{out}	TO-92 / SOT-23 $T \leq 20\mu s$	600/40	mA

* On 50mm x 50mm x 1.6mm glass epoxy board