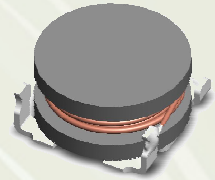


SMD Power Inductor CDH20D10



■ Features

- ◎ Small size inductor: 2.2mm Max. square and 1.1mm Max height.
- ◎ Operating temperature range: $-40^{\circ}\text{C}\sim+105^{\circ}\text{C}$.
- ◎ Magnetically unshielded.
- ◎ RoHS Compliance.

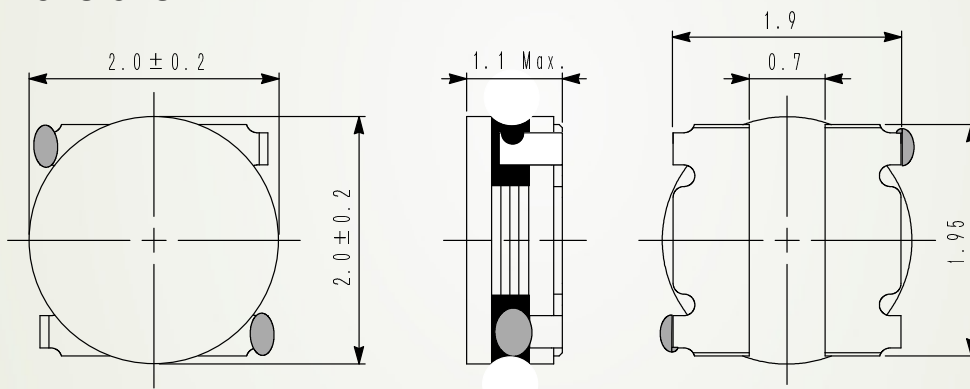


■ Applications

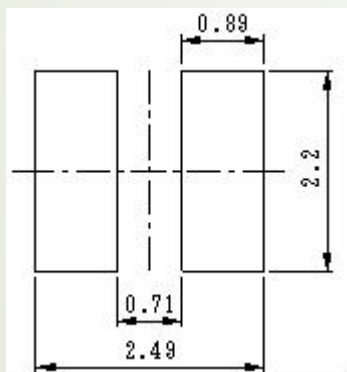
Low profile, surface mount inductor for WLAN, PDA, Mobile phone, DSC, and other portable devices.

■ Shapes and Dimensions/Recommended Land Patterns(mm)

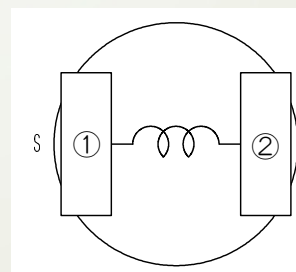
◆ Dimensions



◆ Land pattern



◆ Schematics (Bottom)



SMD Power Inductor CDH20D10



■Electrical Characteristics specification.

Part Name	Stamp	Inductance	D.C.R.(Ω)	Saturation	Temperature
		(μ H) 100kHz	Max.(Typ.) (at 20°C)	Current (A) ※1	Rise Current (A) ※2
CDH20D10NP-R50MC	A	0.5±20%	83m(66m)	2.01(2.52)	1.65(1.84)
CDH20D10NP-R68MC	B	0.68±20%	94m(75m)	1.75(2.19)	1.47(1.68)
CDH20D10NP-R80MC	C	0.8±20%	104m(83m)	1.63(2.04)	1.43(1.62)
CDH20D10NP-1R0MC	D	1.0±20%	0.139(0.111)	1.45(1.82)	1.18(1.34)
CDH20D10NP-1R2MC	E	1.2±20%	0.158(0.126)	1.44(1.80)	1.16(1.32)
CDH20D10NP-1R5MC	F	1.5±20%	0.173(0.138)	1.27(1.59)	1.08(1.22)
CDH20D10NP-1R8MC	G	1.8±20%	0.235(0.188)	1.08(1.36)	0.90(1.02)
CDH20D10NP-2R0MC	J	2.0±20%	0.252(0.201)	1.04(1.30)	0.88(1.01)
CDH20D10NP-2R2MC	K	2.2±20%	0.276(0.221)	1.00(1.26)	0.87(0.98)
CDH20D10NP-2R7MC	L	2.7±20%	0.370(0.295)	0.89(1.12)	0.74(0.82)
CDH20D10NP-3R3MC	M	3.3±20%	0.425(0.339)	0.81(1.02)	0.70(0.79)
CDH20D10NP-3R9MC	P	3.9±20%	0.463(0.370)	0.72(0.92)	0.58(0.65)
CDH20D10NP-4R7MC	R	4.7±20%	0.53(0.42)	0.70(0.87)	0.53(0.61)
CDH20D10NP-5R6MC	T	5.6±20%	0.60(0.48)	0.45(0.56)	0.54(0.62)
CDH20D10NP-6R8MC	Q	6.8±20%	0.74(0.59)	0.42(0.53)	0.48(0.54)

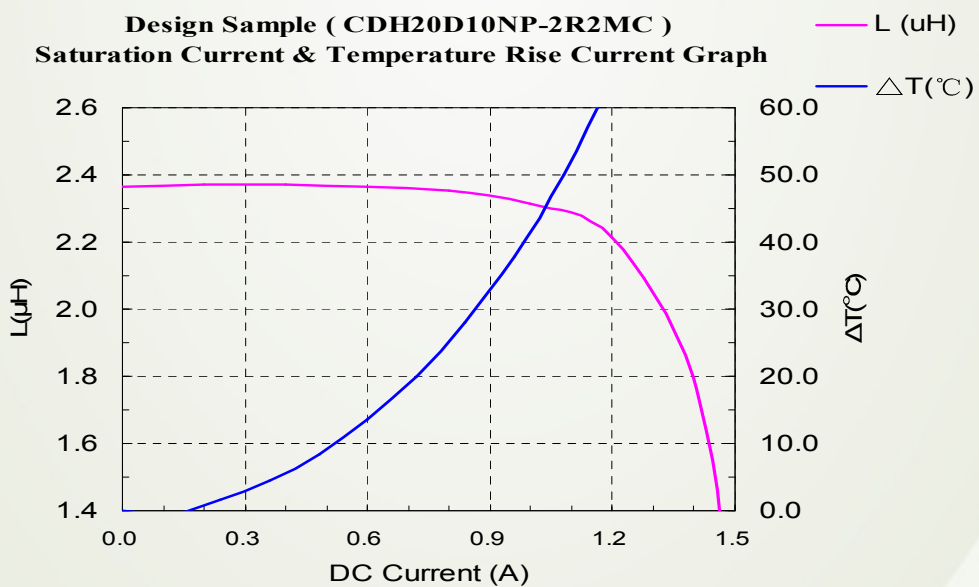
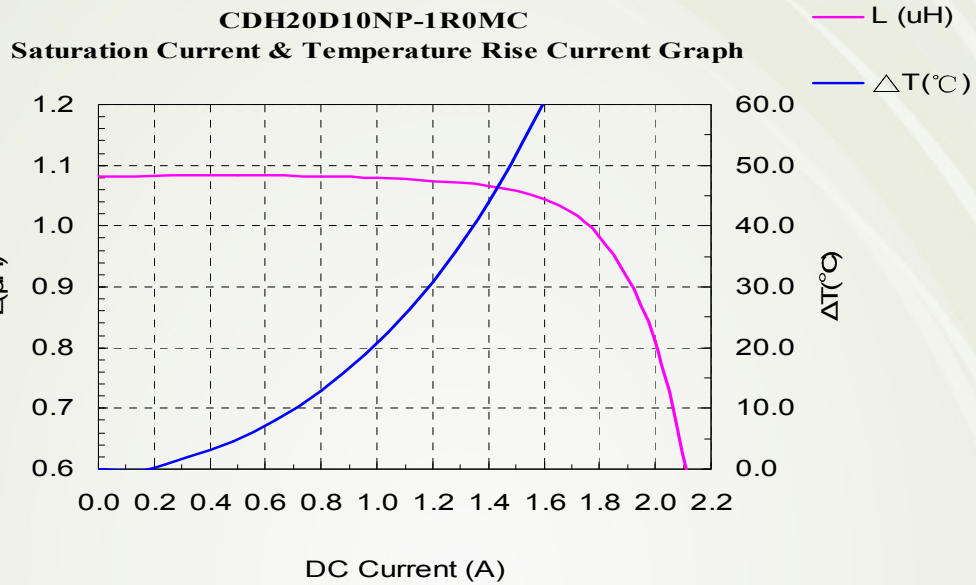
※1 Saturation Current: The DC current at which the inductance decreases to 90% of its nominal value.

※2 Temperature Rise Current: The DC current at which the temperature rise is $\Delta t=40^{\circ}\text{C}$ ($T_a=20^{\circ}\text{C}$).

SMD Power Inductor CDH20D10



■ Characteristics Curve

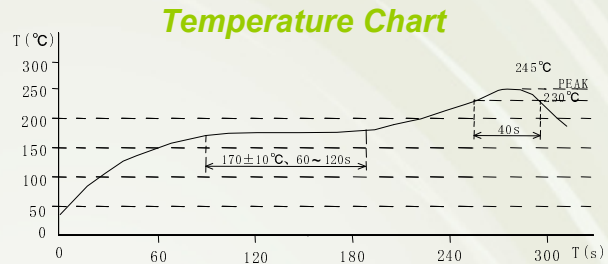
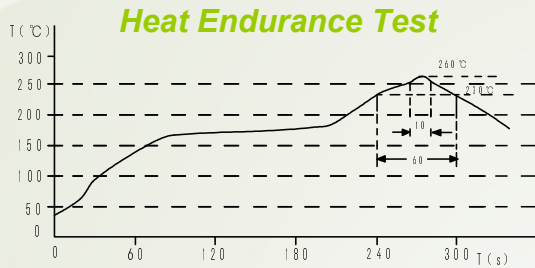


SMD Power Inductor CDH20D10



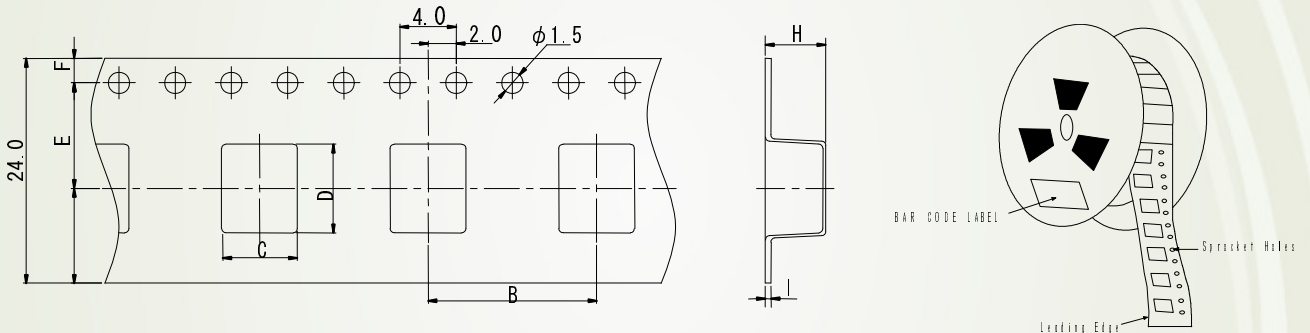
sumida

Recommended Reflow Condition.



Recommend reflow condition: refer to S-074-1518

Packaging with Embossed tape and reel.



Packing specification refer to S-074-5395

For More Information

Hong Kong

Tel.+852-2880-6688
FAX.+852-2565-9600

Tokyo

Tel.+81-3-5202-7112
FAX.+81-3-5202-7105

Chicago

Tel.+1-847-545-6700
FAX. +1-847-545-6720

Shanghai

Tel.+86-021-58363299
FAX.+86-021-58363266

Seoul

Tel.+82-2-6237-0777
FAX.+82-2-6237-0778

California

Tel.+1-408-321-9660
FAX. +1-408-321-9308

Shenzhen

Tel.+86-755-82910228
FAX.+86-755-82910338

Singapore

Tel.+65-6296-3388
FAX.+65-6296-3390

Taipei

Tel.+886-2-27065228
FAX.+886-2-27065229

Malaysia

Tel.+60-3-8733-0900
FAX.+60-3-8737-7384