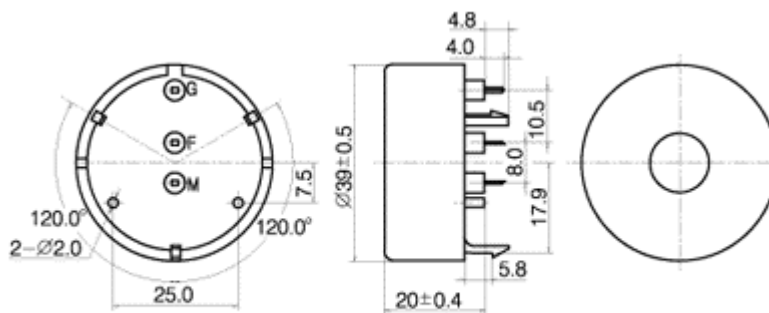




Type	BPT-39
Rated Voltage(V _{DC})	9
Operating Voltage(V _{DC})	4.5~15
◆ Rated Current(mA)	< 15
Capacitance at 120Hz(pF)	25000±30%
◆ Sound Output at 30cm(dB)	> 95
◆ Resonant Frequency(Hz)	3400 ± 500
Operating Temperature(°C)	-20~+70
Storage Temperature(°C)	-30~+80
Weight(g)	11

◆ Value applying at rated voltage.



Unit:mm

