

**PLEASE CHECK WWW.MOLEX.COM FOR LATEST PART INFORMATION**

**Part Number:** [0192210411](#)  
**Status:** **Active**  
**Description:** Compression Style Ring Tongue Terminal for 8 AWG Wire, Stud Size 5/16", Un-plated

**Documents:**

[Drawing \(PDF\)](#) [RoHS Certificate of Compliance \(PDF\)](#)

**Agency Certification**

CSA LR18689  
 UL E32244

**General**

Product Family Ring and Spade Terminals  
 Series [19221](#)  
 Comments Heavy Duty  
 Crimp Quality Equipment Yes  
 Mil-Spec N/A  
 Product Name Battery Cable Lug  
 Type Ring

**Physical**

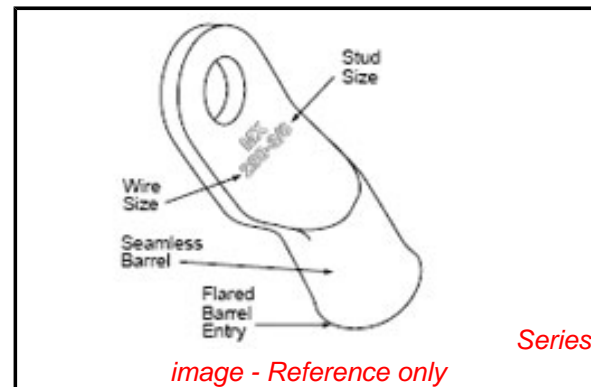
Barrel Type Closed  
 Insulation None  
 Material - Plating Mating Tin  
 Packaging Type Bag  
 Stud Size 5/16" (M8)  
 Termination Interface: Style Crimp or Compression  
 Wire Insulation Diameter N/A  
 Wire Size AWG 8  
 Wire Size mm<sup>2</sup> 6.60 - 10.5

**Material Info**

Old Part Number BCL-8516

**Reference - Drawing Numbers**

Sales Drawing SD-19221-001



**EU RoHS**

**ELV and RoHS Compliant**

**REACH SVHC**

Not Reviewed

**Halogen-Free**

**Status**

**Not Reviewed**

**China RoHS**



**Need more information on product environmental compliance?**

Email [productcompliance@molex.com](mailto:productcompliance@molex.com)  
 For a multiple part number RoHS Certificate of Compliance, [click here](#)

Please visit the [Contact Us](#) section for any non-product compliance questions.

**Search Parts in this Series**

[19221Series](#)

**Application Tooling | [FAQ](#)**

*Tooling specifications and manuals are found by selecting the products below. Crimp Height Specifications are then contained in the Application Tooling Specification document.*

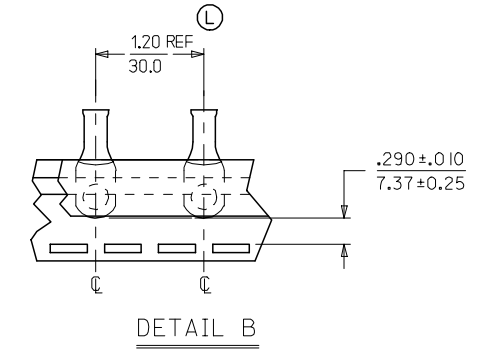
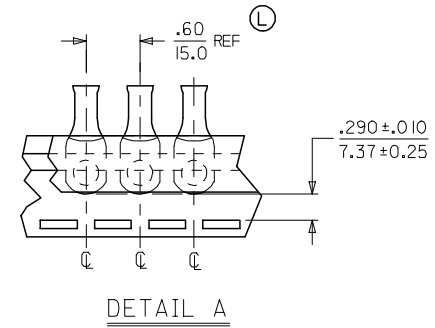
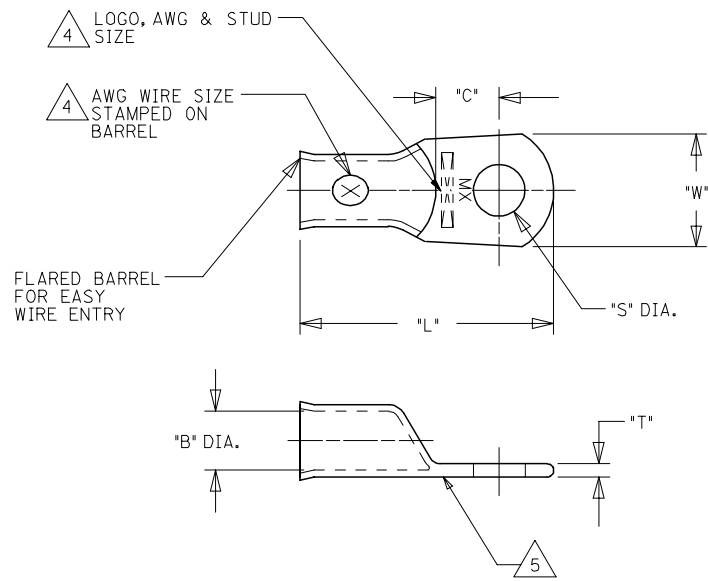
**Global**

| Description  | Product #                  |
|--|----------------------------|
| Putt Pump Dieless Head System                                  | <a href="#">0192860065</a> |
| Manual tool for Crimping non-insulated 8AWG thru 4/0 Terminals | <a href="#">0192940008</a> |
| Manual Putt Pump Hydraulic System, Die set required            | <a href="#">0192860117</a> |
| Die Set (large) for the HHLS Hydraulic Crimper                 | <a href="#">0192900001</a> |

This document was generated on 04/14/2010

**PLEASE CHECK [WWW.MOLEX.COM](http://WWW.MOLEX.COM) FOR LATEST PART INFORMATION**

|   | 13                       | 12                   | 11                        | 10                        | 9                      | 8                         | 7                       | 6                       | 5          | 4          | 3              | 2            | 1             |              |              |             |             |
|---|--------------------------|----------------------|---------------------------|---------------------------|------------------------|---------------------------|-------------------------|-------------------------|------------|------------|----------------|--------------|---------------|--------------|--------------|-------------|-------------|
|   | UNPLATED MATERIAL NUMBER | UNPLATED ENG. NUMBER | UNPLATED MAT. NO. ON TAPE | UNPLATED ENG. NO. ON TAPE | PLATED MATERIAL NUMBER | PLATED ENGINEERING NUMBER | PLATED MAT. NO. ON TAPE | PLATED ENG. NO. ON TAPE | SEE DETAIL | STUD SIZE  | AWG WIRE RANGE | "S"          | "L"           | "W"          | "C"          | "B"         | "T"         |
| J | 192210408                | BCL-810              | 190820012                 | BCL-810T                  | 192210223              | BCL-810-PL                | 190820011               | BCL-810-PLT             | A          | 10/(4.8)   | 8              | .214/(5.45)  | 1.187/(30.15) | .438/(11.13) | .376/(9.55)  | .185/(4.70) | .070/(1.78) |
|   | 192210409                | BCL-814              | 190820014                 | BCL-814T                  | 192210224              | BCL-814-PL                | 190820013               | BCL-814-PLT             | A          | 1/4/(6.4)  | 8              | .278/(7.06)  | 1.187/(30.15) | .438/(11.13) | .376/(9.55)  | .185/(4.70) | .070/(1.78) |
|   | 192210562                | BCL-814-WP           | ---                       | ---                       | 192210563              | BCL-814-WP-PL             | ---                     | ---                     | ---        | 1/4/(6.4)  | 8              | .278/(7.06)  | 1.313/(33.35) | .594/(15.09) | .376/(9.55)  | .185/(4.70) | .070/(1.78) |
|   | 192210411                | BCL-8516             | 190820017                 | BCL-8516T                 | 192210225              | BCL-8516-PL               | ---                     | ---                     | A          | 5/16/(7.9) | 8              | .340/(8.63)  | 1.187/(30.15) | .438/(11.13) | .376/(9.55)  | .185/(4.70) | .070/(1.78) |
|   | 192210482                | BCL-8516-WP          | ---                       | ---                       | 192210483              | BCL-8516-WP-PL            | 190820016               | BCL-8516-PLT            | A          | 5/16/(7.9) | 8              | .340/(8.63)  | 1.313/(33.35) | .594/(15.09) | .422/(10.72) | .185/(4.70) | .070/(1.78) |
|   | 192210410                | BCL-838-WP           | 190820015                 | BCL-838-WPT               | 192210226              | BCL-838-WP-PL             | 192210566               | BCL-838-WP-PLT          | A          | 3/8/(9.5)  | 8              | .400/(10.16) | 1.313/(33.35) | .594/(15.09) | .422/(10.72) | .185/(4.70) | .070/(1.78) |
| I | 192210481                | BCL-838-XWP          | ---                       | ---                       | 192210484              | BCL-838-XWP-PL            | ---                     | ---                     | ---        | 3/8/(9.5)  | 8              | .400/(10.16) | 1.469/(37.31) | .766/(19.46) | .394/(10.01) | .185/(4.70) | .070/(1.78) |
|   | 192210415                | BCL-812-XWP          | ---                       | ---                       | 192210414              | BCL-812-XWP-PL            | ---                     | ---                     | ---        | 1/2/(14.7) | 8              | .520/(13.21) | 1.469/(37.31) | .766/(19.46) | .394/(10.01) | .185/(4.70) | .070/(1.78) |
|   | 192210425                | BCL-610              | ---                       | ---                       | 192210424              | BCL-610-PL                | 190820003               | BCL-610-PLT             | B          | 10/(4.8)   | 6              | .214/(5.45)  | 1.281/(32.54) | .438/(11.13) | .345/(8.75)  | .232/(5.89) | .075/(1.90) |
|   | 192210406                | BCL-614-WP           | 190820006                 | BCL-614T                  | 192210227              | BCL-614-WP-PL             | 190820005               | BCL-614-PLT             | B          | 1/4/(6.4)  | 6              | .278/(7.06)  | 1.406/(35.72) | .594/(15.09) | .430/(10.9)  | .232/(5.89) | .080/(2.03) |
|   | 192210494                | BCL-6141             | ---                       | ---                       | 192210495              | BCL-6141-PL               | 192210498               | BCL-6141-PLT            | B          | 1/4/(6.4)  | 6              | .278/(7.06)  | 1.281/(32.54) | .438/(11.13) | .345/(8.75)  | .232/(5.89) | .075/(1.90) |
|   | 192210407                | BCL-6516-WP          | ---                       | ---                       | 192210228              | BCL-6516-WP-PL            | 190820009               | BCL-6516-PLT            | B          | 5/16/(7.9) | 6              | .340/(8.63)  | 1.406/(35.72) | .594/(15.09) | .352/(8.94)  | .232/(5.89) | .080/(2.03) |
| L | 192210493                | BCL-6516             | 190820010                 | BCL-6516T                 | 192210492              | BCL-6516-PL               | 192210499               | BCL-6516-PLT            | B          | 5/16/(7.9) | 6              | .340/(8.63)  | 1.281/(32.54) | .438/(11.13) | .345/(8.75)  | .232/(5.89) | .075/(1.90) |
| H | 192210384                | BCL-638-WP           | 190820008                 | BCL-638T                  | 192210229              | BCL-638-WP-PL             | 190820007               | BCL-638-PLT             | B          | 3/8/(9.5)  | 6              | .400/(10.16) | 1.406/(35.72) | .594/(15.09) | .352/(8.94)  | .232/(5.89) | .080/(2.03) |
|   | 192210569                | BCL-638-XWP          | ---                       | ---                       | 192210568              | BCL-638-XWP-PL            | ---                     | ---                     | ---        | 3/8/(9.5)  | 6              | .400/(10.16) | 1.563/(39.70) | .766/(19.46) | .422/(10.72) | .232/(5.89) | .080/(2.03) |
|   | 192210417                | BCL-612-XWP          | ---                       | ---                       | 192210416              | BCL-612-XWP-PL            | 190820004               | BCL-612-PLT             | B          | 1/2/(14.7) | 6              | .520/(13.21) | 1.563/(39.70) | .766/(19.46) | .352/(8.94)  | .232/(5.89) | .080/(2.03) |



SALES DRAWING

- NOTES:
- FOR INSPECTION SIGHT HOLE, PLEASE CONSULT FACTORY.
  - OTHER STUD SIZES MAY BE AVAILABLE, PLEASE CONSULT FACTORY.
  - MATERIAL: COPPER  
PLATING: TIN
  - MARKINGS CAN BE AT EITHER LOCATION SHOWN.
  - IF TONGUE IS TO BE BENT AT ANY ANGLE, IT MUST BE BENT AROUND A RADIUS ONE HALF THE TONGUE THICKNESS.
  - ALL COMPONENTS ARE ROHS COMPLIANT.

|   |                               |  |      |                           |                  |   |                      |                        |
|---|-------------------------------|--|------|---------------------------|------------------|---|----------------------|------------------------|
| REVISED W/ TYPO CORRECTED<br>FC NO: ETC2007-0397<br>DRAWN BY: DRWANEHLE<br>CHKD: JMAGNELL<br>APPR: JMAGNELL<br>2007/04/27<br>2007/05/09<br>2007/05/10 | QUALITY SYMBOLS<br>▽=0<br>▽=0 | GENERAL TOLERANCES (UNLESS SPECIFIED)                      |      | DIMENSION STYLE<br>IN/MM  |                  | SCALE<br>---  | DESIGN UNITS<br>INCH | THIRD ANGLE PROJECTION |
|   |                               | mm   | INCH | DRAWN BY<br>DMYRICK       | DATE<br>2005/5/3 | TITLE<br>EYELET STYLE<br>COPPER TERMINALS<br>8 AND 6 AWG LUGS |                      |                        |
| 4 PLACES ± --- ± ---  |                               | 3 PLACES ± --- ± ---                                       |      | CHECKED BY<br>RDEROSS     |                  | DATE<br>2005/5/3  |                      | MOLEX INCORPORATED     |
| 2 PLACES ± --- ± ---  |                               | 1 PLACE ± --- ± ---  |      | APPROVED BY<br>RDEROSS    |                  | DATE<br>2005/5/3  |                      |                        |
| ANGULAR ± --- °   |                               | DRAFT WHERE APPLICABLE<br>MUST REMAIN<br>WITHIN DIMENSIONS |      | MATERIAL NO.<br>SEE CHART |                  | DOCUMENT NO.<br>SD-19221-001                                  |                      | SHEET NO.<br>1 OF 1    |