

**PLEASE CHECK WWW.MOLEX.COM FOR LATEST PART INFORMATION**

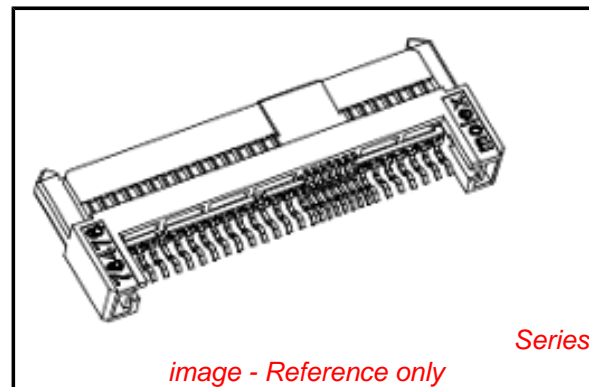
**Part Number:** [0784760001](#)  
**Status:** **Active**  
**Description:** 1.27mm (.050") Signal Pitch, 0.80mm (.031") SCSI Pitch, 1.27mm (.050") Power Pitch SAS Receptacle, SMT, Straddle Mount, 1.20mm (.047") Height, 29 Circuits, Tray, Leadfree

**Documents:**

[3D Model](#) [Product Specification PS-78476-001 \(PDF\)](#)  
[Drawing \(PDF\)](#) [RoHS Certificate of Compliance \(PDF\)](#)

**General**

Product Family	I/O Connectors
Series	<a href="#">78476</a>
Application	Board-to-Board
Component Type	Receptacle
Product Name	SAS
Type	N/A
<b>Physical</b>	
Boot Color	N/A
Circuits (Loaded)	29
Circuits (maximum)	29
Circuits Detail	Signal 7, SCSI 7, Power 15
Color - Resin	Black
Durability (mating cycles max)	200
Gender	Female
Keying to Mating Part	Yes
Lock to Mating Part	None
Material - Metal	Copper Alloy
Material - Plating Mating	Gold
Material - Plating Termination	Tin
Material - Resin	High Temperature Thermoplastic
Number of Rows	2
Orientation	Horizontal
PCB Locator	No
PCB Retention	Yes
PCB Thickness Recommended (in)	0.063 In
PCB Thickness Recommended (mm)	1.60 mm
Packaging Type	Tray
Panel Mount	Yes
Pitch - Mating Interface (in)	0.031 In, 0.050 In
Pitch - Mating Interface (mm)	0.80 mm, 1.27 mm
Pitch - Term. Interface (in)	0.031 In, 0.050 In
Pitch - Term. Interface (mm)	0.80 mm, 1.27 mm
Plating min: Mating (µin)	30
Plating min: Mating (µm)	0.76
Plating min: Termination (µin)	100
Plating min: Termination (µm)	2.54
Polarized to Mating Part	Yes
Polarized to PCB	Yes
Ports	3
Surface Mount Compatible (SMC)	Yes
Temperature Range - Operating	0°C to +55°C
Termination Interface: Style	Straddle Mount
Waterproof / Dustproof	No
Wire Size AWG	N/A



**EU RoHS**

**ELV and RoHS  
Compliant**  
**REACH SVHC  
Not Reviewed**  
**Halogen-Free  
Status**

**China RoHS**



**Need more information on product  
environmental compliance?**

Email [productcompliance@molex.com](mailto:productcompliance@molex.com)  
 For a multiple part number RoHS Certificate of Compliance, [click here](#)

Please visit the [Contact Us](#) section for any non-product compliance questions.

**Search Parts in this Series**

[78476Series](#)

**Mates With**

SFF-8482 Hard Disk Drive and Backplane Plug, [78744](#) , [78012](#) Plugs

**Electrical**

Current - Maximum per Contact 1.5A  
Voltage - Maximum 30V

**Material Info****Reference - Drawing Numbers**

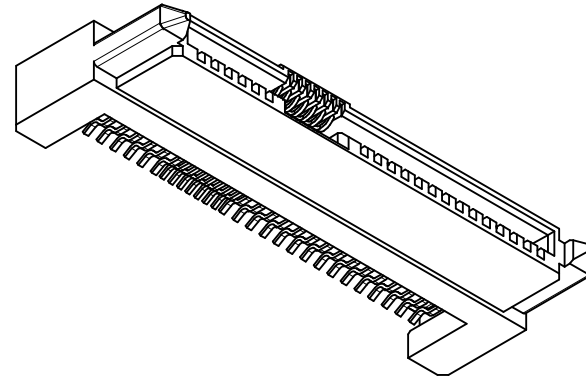
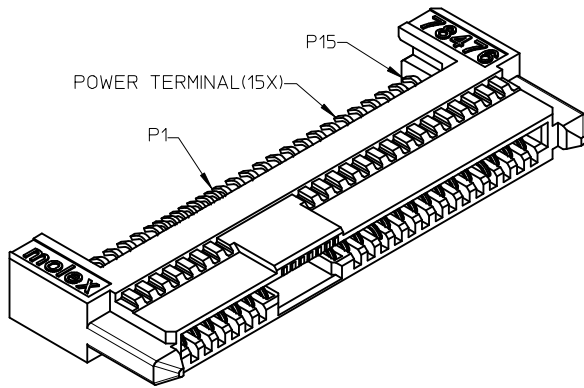
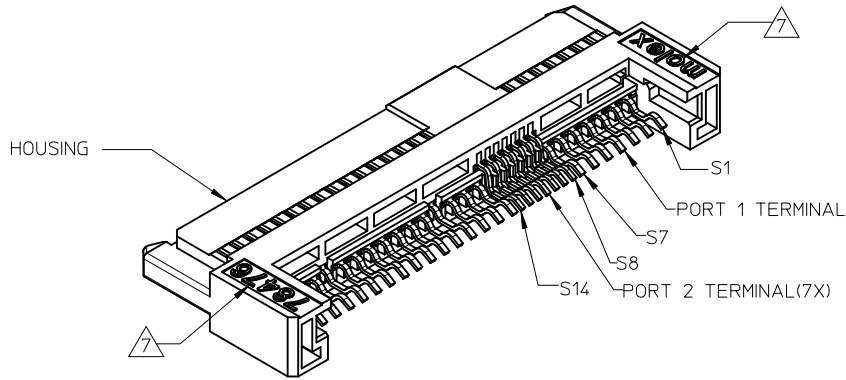
Product Specification PS-78476-001  
Sales Drawing SD-78476-001

This document was generated on 04/02/2010

**PLEASE CHECK [WWW.MOLEX.COM](http://WWW.MOLEX.COM) FOR LATEST PART INFORMATION**

NOTES:

1. MATERIAL :  
 HOUSING : LCP, GLASS FILLED, UL94V-0, COLOR BLACK.  
 TERMINAL : COPPER ALLOY
2. PLATING FINISHES :  
 PORT 1 :  
 CONTACT : 0.76um MIN. SELECTIVE GOLD OVER 1.27um MIN. NICKEL UNDERPLATE.  
 SOLDER TAIL : 2.54um MIN. TIN OVER 1.27um MIN. NICKEL UNDERPLATE.  
 PORT 2 :  
 CONTACT : 0.76um MIN. SELECTIVE GOLD OVER 1.27um MIN. NICKEL UNDERPLATE.  
 SOLDER TAIL : 2.54um MIN. TIN OVER 1.27um MIN. NICKEL UNDERPLATE.
3. PRODUCT SPECIFICATION : PS-78476-001.
4. PACKAGING SPECIFICATION : PK-78476-001.  
 PARTS SHALL BE PACKED IN TRAY.
5. MATES WITH SFF 8482 STANDARD PLUGS.  
 APPLICABLE TO MOLEX PLUG SERIES: 78477 & 78012.
6. DATE CODE LOCATED APPROXIMATELY AS SHOWN.  
 FORMAT : YYDD.
7. MOLEX LOGO, CAVITY NUMBER & PART NUMBER LOCATED APPROXIMATELY AS SHOWN.
8. NON FUNCTIONAL CORINGS MAY VARY FROM DRAWING.



INITIAL RELEASE EC NO: S2009-0369 DRWN: JXYONG CHKD: KHL IM APPR: BOKOK	2009/04/08 2009/04/08 2009/04/09	DESCRIPTION REV	QUALITY SYMBOLS	GENERAL TOLERANCES (UNLESS SPECIFIED)		DIMENSION STYLE MM ONLY		SCALE NTS	DESIGN UNITS METRIC	THIRD ANGLE PROJECTION		
			▼=0 □=0	mm	INCH	DRAWN BY JXYONG	DATE 2009/01/03	TITLE SAS RECEPTACLE STRADDLE MOUNT 1.20MM HEIGHT				
				4 PLACES ± --- ± ---	3 PLACES ± --- ± ---	CHECKED BY KHL IM	DATE 2009/03/04	MOLEX INCORPORATED				
				2 PLACES ± 0.20 ± ---	1 PLACE ± --- ± ---	APPROVED BY BOKOK	DATE 2009/03/04	MATERIAL NO. 78476-0001		DOCUMENT NO. SD-78476-001	SHEET NO. 1 OF 4	
DRAFT WHERE APPLICABLE MUST REMAIN WITHIN DIMENSIONS			ANGULAR ± 3 °		THIS DRAWING CONTAINS INFORMATION THAT IS PROPRIETARY TO MOLEX INCORPORATED AND SHOULD NOT BE USED WITHOUT WRITTEN PERMISSION							

10 9 8 7 6 5 4 3 2 1

F

E

D

C

B

A

F

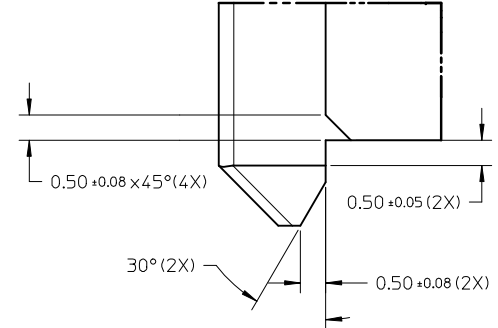
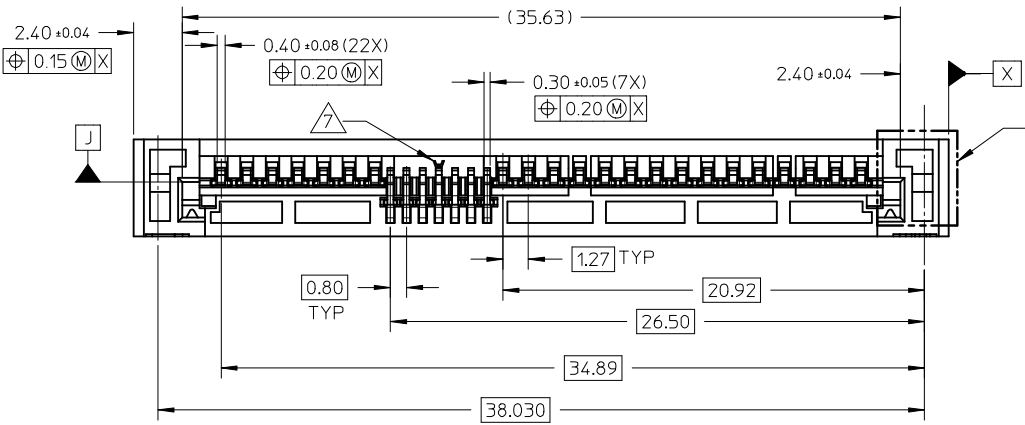
E

D

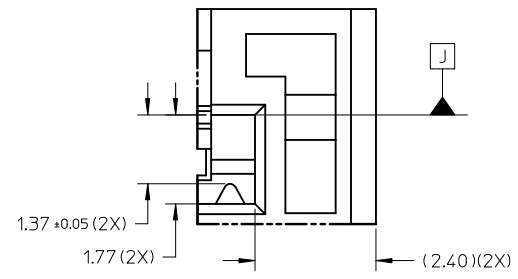
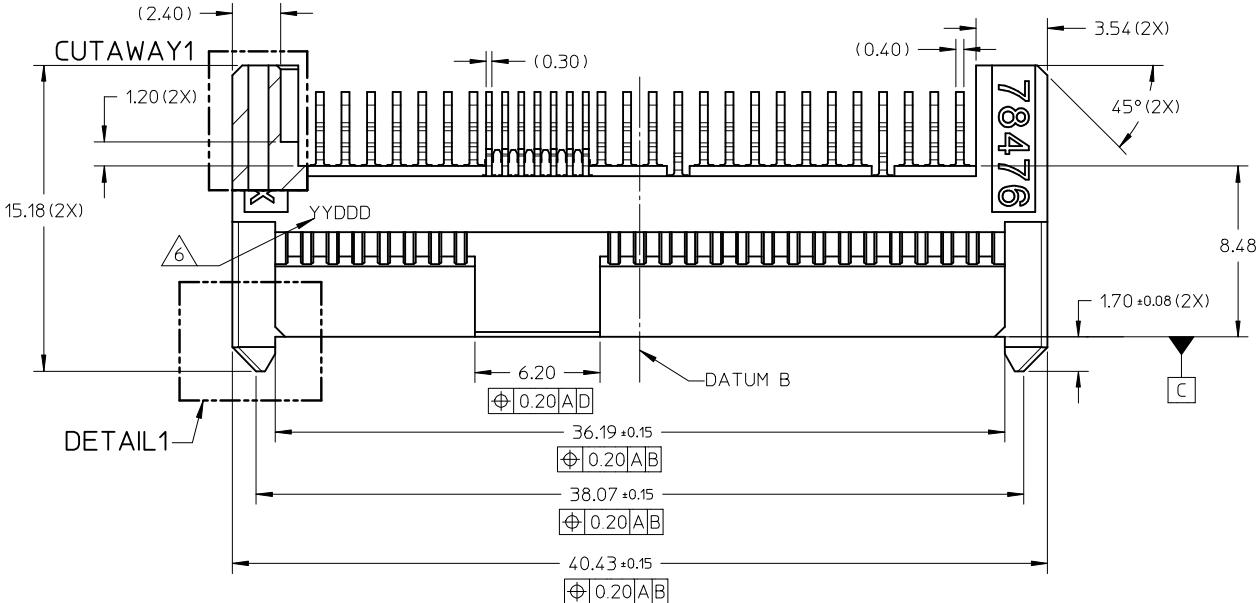
C

B

A



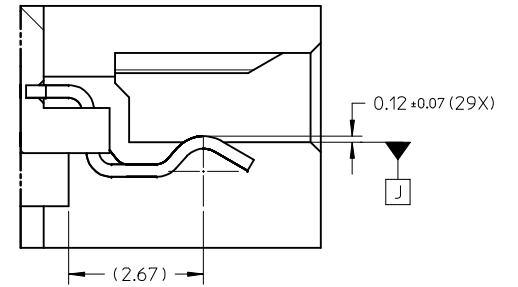
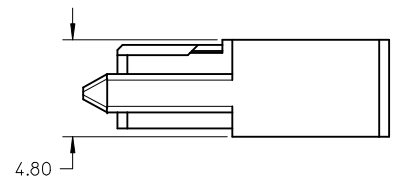
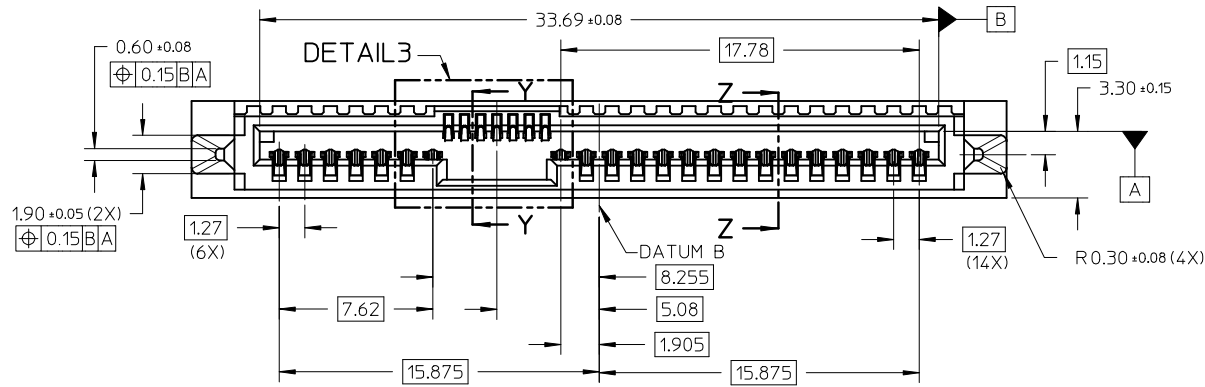
DETAIL 1



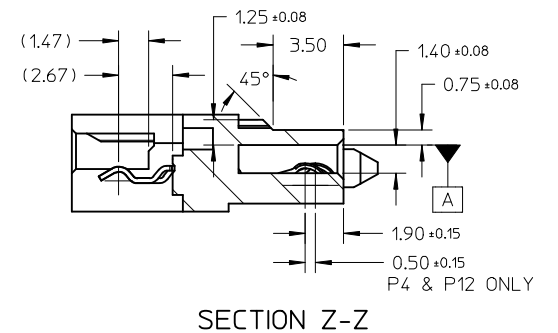
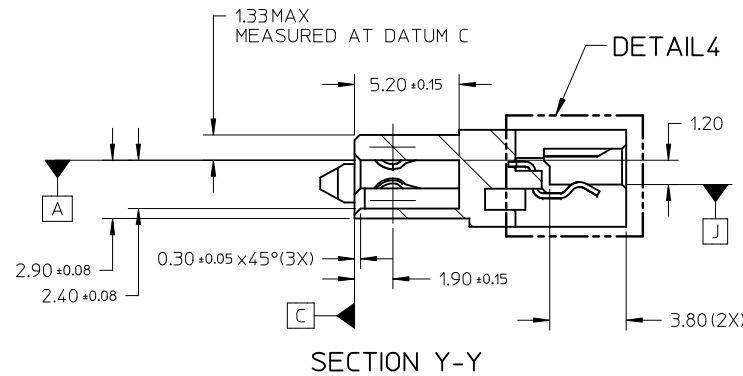
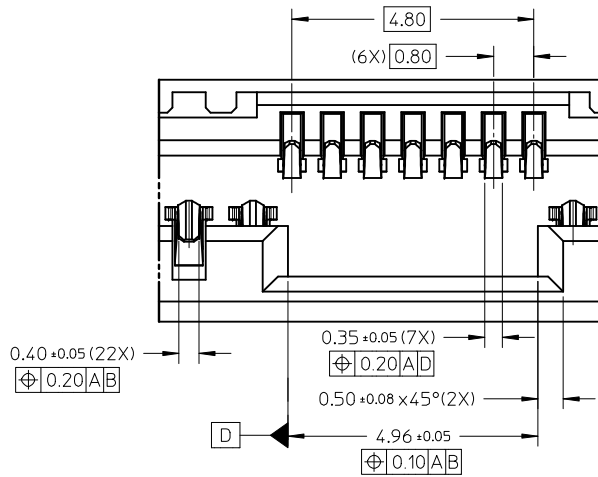
DETAIL 2

INITIAL RELEASE EC NO: S2009-0369 DRWN: JXYONG CHKD: KHLIM APPR: BOKKOK	2009/04/08 2009/04/08 2009/04/09	DESCRIPTION REV	QUALITY SYMBOLS	GENERAL TOLERANCES (UNLESS SPECIFIED) mm    INCH 4 PLACES ± --- ± --- 3 PLACES ± --- ± --- 2 PLACES ± 0.20 ± --- 1 PLACE ± --- ± --- ANGULAR ± 3 °	DIMENSION STYLE MM ONLY DRAWN BY: JXYONG    DATE: 2009/01/03 CHECKED BY: KHLIM    DATE: 2009/03/04 APPROVED BY: BOKKOK    DATE: 2009/03/04 MATERIAL NO.: 78476-0001	SCALE: NTS DESIGN UNITS: METRIC THIRD ANGLE PROJECTION	TITLE: SAS RECEPTACLE STRADDLE MOUNT 1.20MM HEIGHT MOLEX INCORPORATED DOCUMENT NO.: SD-78476-001	SHEET NO.: 2 OF 4		
			▼=0 ◻=0						DRAFT WHERE APPLICABLE MUST REMAIN WITHIN DIMENSIONS	SIZE: A3 THIS DRAWING CONTAINS INFORMATION THAT IS PROPRIETARY TO MOLEX INCORPORATED AND SHOULD NOT BE USED WITHOUT WRITTEN PERMISSION

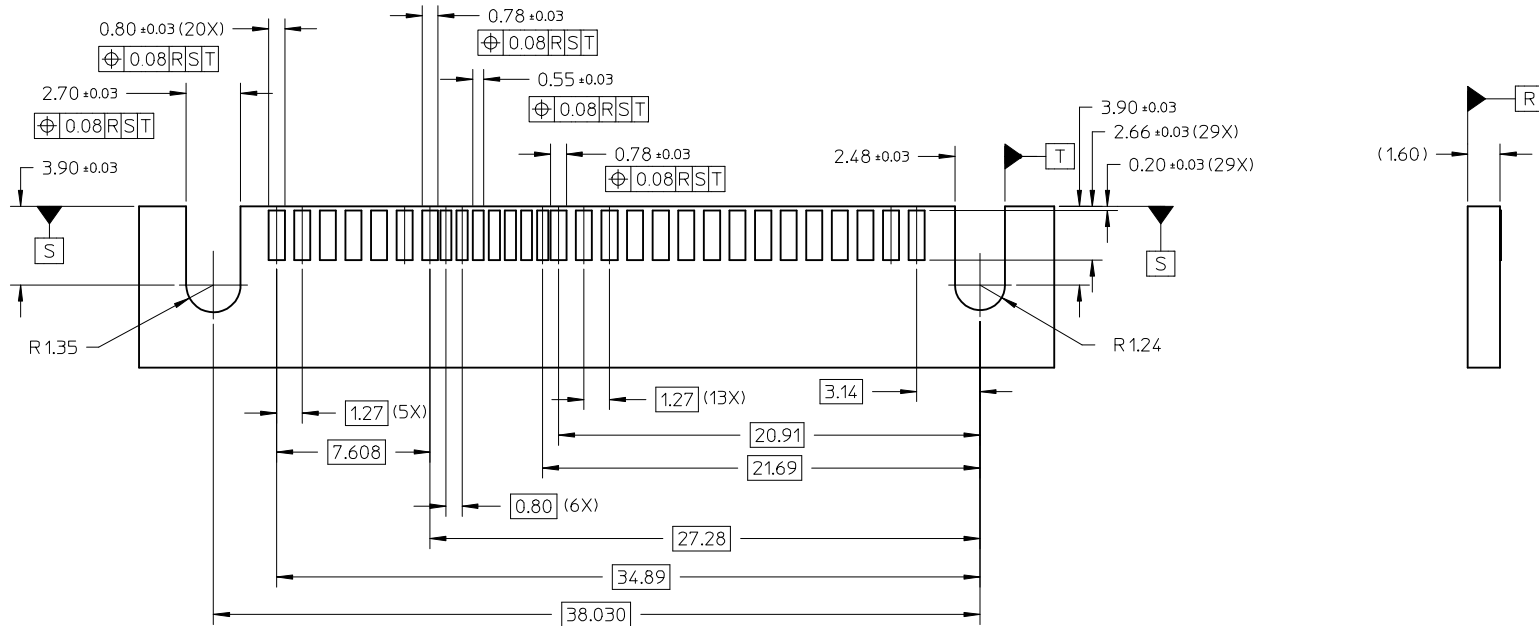
9 8 7 6 5 4 3 2 1



DETAIL 4



INITIAL RELEASE EC NO: S2009-0369 DRWN: JXYONG CHKD: KHLIM APPR: BOKOK	DESCRIPTION 2009/04/08 2009/04/08 2009/04/09	QUALITY SYMBOLS	GENERAL TOLERANCES (UNLESS SPECIFIED)	DIMENSION STYLE	SCALE	DESIGN UNITS	THIRD ANGLE PROJECTION		
		▽=0 ◻=0	mm    INCH 4 PLACES ± --- ± --- 3 PLACES ± --- ± --- 2 PLACES ± 0.20 ± --- 1 PLACE ± --- ± --- ANGULAR ± 3 °	MM ONLY	NTS	METRIC			
			DRAFT WHERE APPLICABLE MUST REMAIN WITHIN DIMENSIONS	DRAWN BY: JXYONG CHECKED BY: KHLIM APPROVED BY: BOKOK MATERIAL NO: 78476-0001	DATE: 2009/01/03 DATE: 2009/03/04 DATE: 2009/03/04	TITLE	SAS RECEPTACLE STRADDLE MOUNT 1.20MM HEIGHT	MOLEX INCORPORATED DOCUMENT NO: SD-78476-001	SHEET NO: 3 OF 4
				SIZE: A3	THIS DRAWING CONTAINS INFORMATION THAT IS PROPRIETARY TO MOLEX INCORPORATED AND SHOULD NOT BE USED WITHOUT WRITTEN PERMISSION				



RECOMMENDED PCB LAYOUT  
THICKNESS: 1.60±0.05mm

INITIAL RELEASE EC NO: S2009-0369 DRWN: JXYONG CHKD: KHLIM APPR: BOKOK	DESCRIPTION REV A	QUALITY SYMBOLS ▽=0 ◻=0	GENERAL TOLERANCES (UNLESS SPECIFIED)		DIMENSION STYLE <b>MM ONLY</b>	SCALE <b>NTS</b>	DESIGN UNITS <b>METRIC</b>	THIRD ANGLE PROJECTION				
				mm	INCH	DRAWN BY JXYONG	DATE 2009/01/03	TITLE <b>SAS RECEPTACLE STRADDLE MOUNT 1.20MM HEIGHT</b>				
			4 PLACES ± --- ± ---	3 PLACES ± --- ± ---	2 PLACES ± 0.20 ± ---	1 PLACE ± --- ± ---	CHECKED BY KHLIM	DATE 2009/03/04	MOLEX INCORPORATED			
			ANGULAR ± 3 °		DRAFT WHERE APPLICABLE MUST REMAIN WITHIN DIMENSIONS		APPROVED BY BOKOK	DATE 2009/03/04	MATERIAL NO. <b>78476-0001</b>	DOCUMENT NO. <b>SD-78476-001</b>	SHEET NO. <b>4 OF 4</b>	